

(19) World Intellectual Property Organization
International Bureau



(43) International Publication Date
1 March 2007 (01.03.2007)

PCT

(10) International Publication Number
WO 2007/024910 A3

- (51) International Patent Classification:
G02B 6/44 (2006.01) G02B 6/38 (2006.01)
- (21) International Application Number:
PCT/US2006/032857
- (22) International Filing Date: 22 August 2006 (22.08.2006)
- (25) Filing Language: English
- (26) Publication Language: English
- (30) Priority Data:
11/212,492 25 August 2005 (25.08.2005) US
- (71) Applicant (for all designated States except US): **ADC TELECOMMUNICATIONS, INC.** [US/US]; 13625 Technology Drive, Eden Prairie, MN 55344-2252 (US).

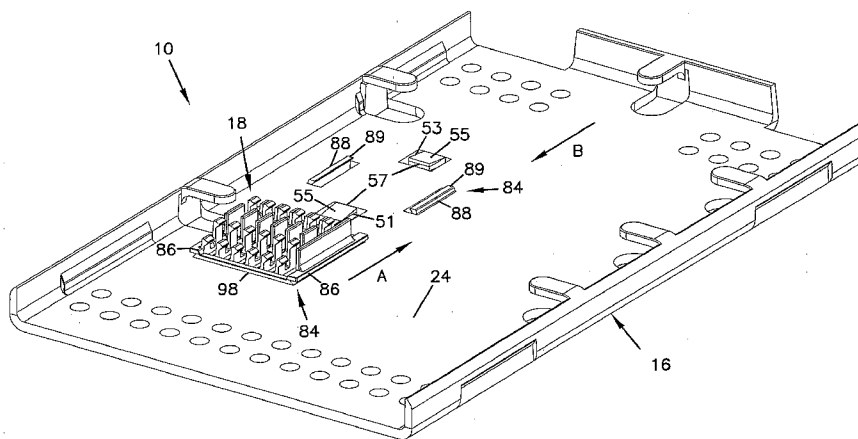
- (81) Designated States (unless otherwise indicated, for every kind of national protection available): AE, AG, AL, AM, AT, AU, AZ, BA, BB, BG, BR, BW, BY, BZ, CA, CH, CN, CO, CR, CU, CZ, DE, DK, DM, DZ, EC, EE, EG, ES, FI, GB, GD, GE, GH, GM, HN, HR, HU, ID, IL, IN, IS, JP, KE, KG, KM, KN, KP, KR, KZ, LA, LC, LK, LR, LS, LT, LU, LV, LY, MA, MD, MG, MK, MN, MW, MX, MY, MZ, NA, NG, NI, NO, NZ, OM, PG, PH, PL, PT, RO, RS, RU, SC, SD, SE, SG, SK, SL, SM, SV, SY, TJ, TM, TN, TR, TT, TZ, UA, UG, US, UZ, VC, VN, ZA, ZM, ZW.
- (84) Designated States (unless otherwise indicated, for every kind of regional protection available): ARIPO (BW, GH, GM, KE, LS, MW, MZ, NA, SD, SL, SZ, TZ, UG, ZM, ZW), Eurasian (AM, AZ, BY, KG, KZ, MD, RU, TJ, TM), European (AT, BE, BG, CH, CY, CZ, DE, DK, EE, ES, FI, FR, GB, GR, HU, IE, IS, IT, LT, LU, LV, MC, NL, PL, PT, RO, SE, SI, SK, TR), OAPI (BF, BJ, CF, CG, CI, CM, GA, GN, GQ, GW, ML, MR, NE, SN, TD, TG).

- (72) Inventors; and
- (75) Inventors/Applicants (for US only): **BAYAZIT, Yilmaz** [TR/US]; 500 Ridgewood Avenue #18, Minneapolis, MN 55403 (US). **RASKOVICH, Chad, A.** [US/US]; 532 Spencer Street South, Shakopee, MN 55379 (US). **BRAN DE LEON, Oscar** [US/US]; 736 S. Elm Street, Belle Plain, MN 56011 (US).
- (74) Agent: **BRUESS, Steven, C.; MERCHANT & GOULD P.C.**, P.O. Box 2903, Minneapolis, MN 55402-0903 (US).

- Published:**
— with international search report
- (88) Date of publication of the international search report:
28 June 2007

For two-letter codes and other abbreviations, refer to the "Guidance Notes on Codes and Abbreviations" appearing at the beginning of each regular issue of the PCT Gazette.

(54) Title: SPLICE CHIP DEVICE



(57) Abstract: A splice tray arrangement (10) including a tray (16) and a splice chip (18). The splice chip (18) includes a plurality of arms that define channels for holding splice elements. The arms include retaining structure for retaining a splice element in both of either one of an upper region and a lower region of a channel. The splice tray (16) arrangement (10) also includes a mounting arrangement for securing the splice chip to the tray at a mounting location. The mounting arrangement includes sliding interlock guides (86,88) disposed on each of the splice chip (18) and the tray (16). The mounting arrangement further includes flexible tabs (51) arranged to prevent lateral movement of the splice chip (18) when positioned at the mounting location.

WO 2007/024910 A3

INTERNATIONAL SEARCH REPORT

International application No
PCT/US2006/032857

A. CLASSIFICATION OF SUBJECT MATTER

INV. G02B6/44

ADD. G02B6/38

According to International Patent Classification (IPC) or to both national classification and IPC

B. FIELDS SEARCHED

Minimum documentation searched (classification system followed by classification symbols)

G02B B65D

Documentation searched other than minimum documentation to the extent that such documents are included in the fields searched

Electronic data base consulted during the international search (name of data base and, where practical, search terms used)

EPO-Internal

C. DOCUMENTS CONSIDERED TO BE RELEVANT

Category*	Citation of document, with indication, where appropriate, of the relevant passages	Relevant to claim No.
X	US 6 259 851 B1 (DAOUD BASSEL H [US]) 10 July 2001 (2001-07-10) column 1, line 62 - line 63; figure 2 column 2, line 34 - line 39 column 3, line 17 - line 35	1-8, 10-15, 17-21
A	US 2002/159744 A1 (DAOUD BASSEL H [US]) 31 October 2002 (2002-10-31) figure 1 ----- -/--	5

 Further documents are listed in the continuation of Box C. See patent family annex.

* Special categories of cited documents :

- *A* document defining the general state of the art which is not considered to be of particular relevance
- *E* earlier document but published on or after the international filing date
- *L* document which may throw doubts on priority claim(s) or which is cited to establish the publication date of another citation or other special reason (as specified)
- *O* document referring to an oral disclosure, use, exhibition or other means
- *P* document published prior to the international filing date but later than the priority date claimed

- *T* later document published after the international filing date or priority date and not in conflict with the application but cited to understand the principle or theory underlying the invention
- *X* document of particular relevance; the claimed invention cannot be considered novel or cannot be considered to involve an inventive step when the document is taken alone
- *Y* document of particular relevance; the claimed invention cannot be considered to involve an inventive step when the document is combined with one or more other such documents, such combination being obvious to a person skilled in the art.
- *&* document member of the same patent family

Date of the actual completion of the international search

28 March 2007

Date of mailing of the international search report

05/04/2007

Name and mailing address of the ISA/

European Patent Office, P.B. 5818 Patentlaan 2
NL - 2280 HV Rijswijk
Tel. (+31-70) 340-2040, Tx. 31 651 epo nl,
Fax: (+31-70) 340-3016

Authorized officer

BOURHIS, J

INTERNATIONAL SEARCH REPORT

International application No

PCT/US2006/032857

C(Continuation). DOCUMENTS CONSIDERED TO BE RELEVANT		
Category*	Citation of document, with indication, where appropriate, of the relevant passages	Relevant to claim No.
X	FR 2 743 899 A1 (NOANE GEORGES LE [FR]) 25 July 1997 (1997-07-25) page 1, line 33 - line 35 page 4, line 6 - line 18 page 11, line 24 - page 12, line 34 page 17, line 31 - page 18, line 23; figure 7 page 19, line 15 - line 21 -----	1-3,6-21
X	US 2002/191939 A1 (DAOUD BASSEL HAGE [US] ET AL) 19 December 2002 (2002-12-19) paragraph [0006] paragraph [0019] - paragraph [0025] -----	1-3,6,7, 11-14, 17-21
X	DE 44 19 903 A1 (SIEMENS AG [DE]) 14 December 1995 (1995-12-14) figure 5 -----	1-3,6,7, 11-14, 17-21
A	US 6 285 815 B1 (DAOUD BASSEL HAGE [US]) 4 September 2001 (2001-09-04) figures 1-3 -----	1-21
X	US 6 311 007 B1 (DAOUD BASSEL HAGE [US]) 30 October 2001 (2001-10-30) column 3, line 16 - column 4, line 61 figures 1,4 -----	22-24, 33-35
A		36
X	US 5 472 160 A (BUREK DENIS E [US] ET AL) 5 December 1995 (1995-12-05) figures 13-17 -----	22,25-30
A	column 13, line 67 - column 14, line 5 column 15, line 14 - line 16 -----	31,32

INTERNATIONAL SEARCH REPORT

International application No.
PCT/US2006/032857

Box II Observations where certain claims were found unsearchable (Continuation of item 2 of first sheet)

This International Search Report has not been established in respect of certain claims under Article 17(2)(a) for the following reasons:

1. Claims Nos.:
because they relate to subject matter not required to be searched by this Authority, namely:

2. Claims Nos.:
because they relate to parts of the international Application that do not comply with the prescribed requirements to such an extent that no meaningful international Search can be carried out, specifically:

3. Claims Nos.:
because they are dependent claims and are not drafted in accordance with the second and third sentences of Rule 6.4(a).

Box III Observations where unity of invention is lacking (Continuation of item 3 of first sheet)

This International Searching Authority found multiple inventions in this international application, as follows:

see additional sheet

1. As all required additional search fees were timely paid by the applicant, this International Search Report covers all searchable claims.
2. As all searchable claims could be searched without effort justifying an additional fee, this Authority did not invite payment of any additional fee.
3. As only some of the required additional search fees were timely paid by the applicant, this International Search Report covers only those claims for which fees were paid, specifically claims Nos.:
4. No required additional search fees were timely paid by the applicant. Consequently, this International Search Report is restricted to the invention first mentioned in the claims; it is covered by claims Nos.:

Remark on Protest

- The additional search fees were accompanied by the applicant's protest.
- No protest accompanied the payment of additional search fees.

This International Searching Authority found multiple (groups of) inventions in this international application, as follows:

1. claims: 1-21

a splice chip, comprising

- a) a base;
- b) a plurality of arms projecting outward from the base, the arms defining channels having a height sized to receive multiple splice elements in a stacked relationship, the height of each of the channels being defined by a first channel region and a second channel region of the channel; and
- c) retaining structure arranged to retain a splice element in both of either one of the first channel region and the second channel region.

2. claims: 22-36

a splice chip, comprising:

- a) a base having a first end and an opposite second end, the base including a bottom side and a top side;
- b) a plurality of arms projecting outward from the top side of the base, the arms defining channels for receiving splice elements; and
- c) first and second guides extending outward in a lateral direction beyond the first and second ends of the base, the guides being offset from the bottom side of the base.

INTERNATIONAL SEARCH REPORT

Information on patent family members

International application No
PCT/US2006/032857

Patent document cited in search report	Publication date	Patent family member(s)	Publication date
US 6259851	B1	10-07-2001	NONE
US 2002159744	A1	31-10-2002	NONE
FR 2743899	A1	25-07-1997	NONE
US 2002191939	A1	19-12-2002	NONE
DE 4419903	A1	14-12-1995	NONE
US 6285815	B1	04-09-2001	NONE
US 6311007	B1	30-10-2001	NONE
US 5472160	A	05-12-1995	US 5440666 A 08-08-1995