



US00D850406S

(12) **United States Design Patent**
Hembrey

(10) **Patent No.:** **US D850,406 S**

(45) **Date of Patent:** **** Jun. 4, 2019**

(54) **HEADPHONE**

(71) Applicant: **Ooh Mommy LLC**, Manhasset, NY
(US)

(72) Inventor: **Jason L. Hembrey**, Manhasset, NY
(US)

(73) Assignee: **Ooh Mommy LLC**, Manhasset, NY
(US)

(**) Term: **15 Years**

(21) Appl. No.: **29/606,246**

(22) Filed: **Jun. 2, 2017**

(51) **LOC (11) Cl.** **14-01**

(52) **U.S. Cl.**
USPC **D14/205**

(58) **Field of Classification Search**

USPC D14/205, 188, 192; D29/112; 2/209;
181/129, 130, 135; 379/430, 431;
381/380, 381, 374; 455/90.3, 575.1,
455/569.1
CPC H04R 1/1066; H04R 5/033; H04R 5/0335;
H04R 25/00; H04R 1/1091; H04R 1/10
See application file for complete search history.

(56) **References Cited**

U.S. PATENT DOCUMENTS

1,606,165	A *	11/1926	Glenn	H01B 7/04 123/633
1,648,832	A *	11/1927	Urban	H04R 1/1008 181/129
2,510,344	A *	6/1950	Law	G03B 21/625 359/457
D246,259	S	11/1977	Nishimura		
D254,183	S	2/1980	Doodson		
D300,133	S	3/1989	Daidoh		
D313,092	S	12/1990	Nilsson		
D328,074	S *	7/1992	Yamazaki	D14/205
D328,461	S *	8/1992	Daido	D14/205

D351,172	S *	10/1994	Nakamura	D14/205
D352,036	S	11/1994	Sekita		
5,406,037	A *	4/1995	Nageno	H04R 5/0335 181/129

(Continued)

OTHER PUBLICATIONS

<https://www.lilgadgets.com/products/connect> downloaded on Aug. 2, 2016.

Primary Examiner — Paula Allen Greene

(74) *Attorney, Agent, or Firm* — Myers Wolin, LLC

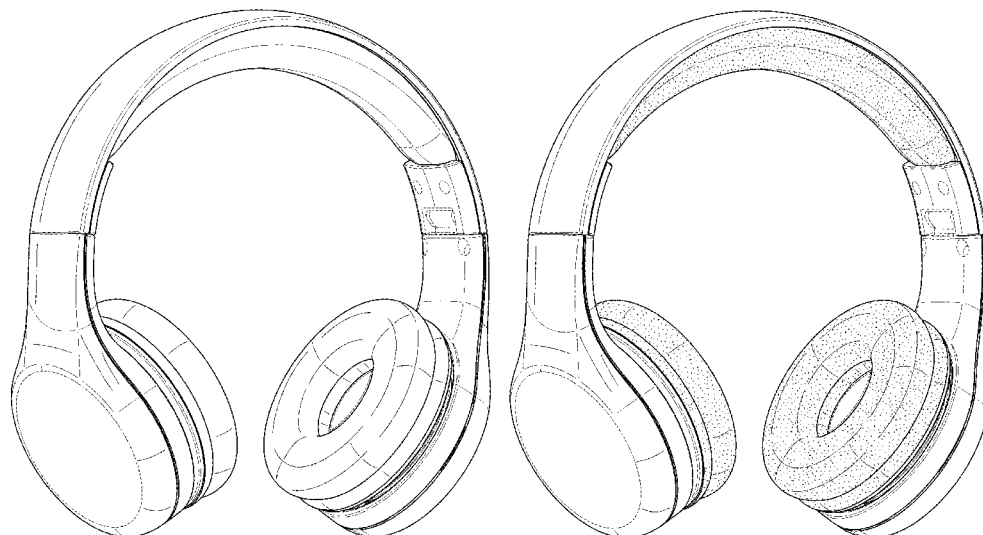
(57) **CLAIM**

The ornamental design for a headphone, as shown and described.

DESCRIPTION

FIG. 1 is a perspective view of one embodiment of a headphone showing my new design;
FIG. 2 is a front elevation view thereof;
FIG. 3 is a rear elevation view thereof;
FIG. 4 is a right side elevation view thereof, the left side elevation view being a mirror-image thereof;
FIG. 5 is a top view thereof;
FIG. 6 is a bottom view thereof;
FIG. 7 is a front view in an alternate folding configuration;
FIG. 8 is a perspective view of an alternative embodiment of a headphone showing my new design;
FIG. 9 is a front elevation view thereof;
FIG. 10 is a rear elevation view thereof;
FIG. 11 is a right side elevation view thereof, the left side elevation view being a mirror-image thereof;
FIG. 12 is a top view thereof;
FIG. 13 is a bottom view thereof; and,
FIG. 14 is a front view in an alternate folding configuration.
The broken lines are for illustrative purposes only and form no part of the claimed design.

1 Claim, 12 Drawing Sheets



US D850,406 S

(56)

References Cited

U.S. PATENT DOCUMENTS

D359,049 S	6/1995	Kanno		D663,717 S	7/2012	Hutchieson	
5,640,458 A *	6/1997	Nishiguchi	G11C 7/16 381/2	D665,775 S *	8/2012	Katsumata	D14/205
D386,181 S	11/1997	Fisher		D666,990 S *	9/2012	Komiyama	D14/205
6,081,604 A *	6/2000	Hikichi	H04R 1/083 381/124	D669,450 S	10/2012	Katsumata	
D444,140 S	6/2001	Ishibashi		D673,518 S	1/2013	Tan	
D473,539 S	4/2003	O'Leary		D673,929 S	1/2013	Combs	
D484,485 S	12/2003	Matsuoka		D678,241 S	3/2013	Lee	
6,654,966 B2 *	12/2003	Rolla	H04R 1/1066 2/209	D678,859 S	3/2013	Lee	
D491,163 S *	6/2004	Green	D14/205	D683,329 S *	5/2013	Hagelin	D14/205
D504,414 S	4/2005	Yoshida		D684,559 S	6/2013	Groset	
D505,411 S	5/2005	Sakai		D685,762 S	7/2013	Nokuo	
D508,908 S	8/2005	Chueh		D686,593 S	7/2013	Larsen	
6,993,143 B2 *	1/2006	Harris	H04R 1/1066 381/374	D687,808 S	8/2013	Combs	
7,072,483 B2 *	7/2006	Lenhard-Backhaus	H04R 1/1066 381/370	D690,282 S	9/2013	Lee	
D534,155 S *	12/2006	Obata	D14/205	D694,217 S	11/2013	Hwang	
D534,156 S	12/2006	Obata		D695,263 S	12/2013	Mogili	
D549,688 S	8/2007	Suzuki		D697,495 S	1/2014	Lian	
D557,684 S	12/2007	Pundsack		D706,240 S *	6/2014	Szymanski	H04R 1/1066 D14/205
D563,382 S *	3/2008	Wikel	D14/205	D707,659 S	6/2014	Henning	
D571,354 S	6/2008	Ng		D708,162 S	7/2014	Wenger	
D573,581 S *	7/2008	Gondo	D14/205	D713,374 S	9/2014	Farrage	
D581,394 S *	11/2008	Lee	D14/205	D714,255 S	9/2014	Sparks	
D585,871 S *	2/2009	Lee	D14/205	D716,761 S	11/2014	Cho	
D587,683 S	3/2009	Ham		D719,135 S	12/2014	Kelley	
D588,098 S *	3/2009	Kurihara	D14/205	D721,052 S *	1/2015	Carr	D14/205
D588,100 S	3/2009	Densho		D721,055 S	1/2015	Sparks	
D591,263 S *	4/2009	Shimizu	D14/205	D722,041 S	2/2015	Sparks	
D592,640 S	5/2009	Tkachuk		D724,560 S	3/2015	Galler	
D593,995 S *	6/2009	Shimizu	D14/205	D729,194 S *	5/2015	Boeckel	D14/205
D594,847 S *	6/2009	Suzuki	D14/205	D729,196 S	5/2015	Liu	
D603,370 S *	11/2009	Suzuki	D14/205	9,025,806 B2	5/2015	Krissman	
D609,694 S	2/2010	Komiyama		D732,001 S	6/2015	Licht	
D620,474 S	7/2010	Komiyama		D733,090 S *	6/2015	Petersen	D14/205
D625,705 S *	10/2010	Ohori	D14/205	D735,161 S	7/2015	Sparks	
D632,668 S *	2/2011	Brunner	D14/205	D735,691 S	8/2015	Sparks	
D633,471 S	3/2011	Sugiyama		D737,821 S	9/2015	Cho	
D635,959 S *	4/2011	Hutchieson	D14/205	D758,337 S *	6/2016	Szymanski	D14/205
D637,176 S *	5/2011	Brunner	D14/205	D762,190 S *	7/2016	Levine	D14/205
D639,776 S *	6/2011	Arimoto	D14/205	D767,531 S *	9/2016	Szymanski	D14/205
D642,554 S *	8/2011	Schaal	D14/205	D768,111 S	10/2016	Nam	
8,098,872 B2 *	1/2012	Chang	H04R 1/1075 381/370	D769,840 S	10/2016	Henning	
D654,472 S	2/2012	Fischer		D773,438 S	12/2016	Walker	
D657,344 S *	4/2012	Brunner	D14/205	D776,081 S	1/2017	Willman	
D657,346 S	4/2012	Park		D780,713 S *	3/2017	Szymanski	D14/205
D658,158 S	4/2012	Suzuki		D781,265 S *	3/2017	Levine	D14/205
D661,685 S	6/2012	Lee		D786,824 S *	5/2017	Hembrey	D14/205
D662,080 S *	6/2012	Carr	D14/205	D787,470 S *	5/2017	Kelly	D14/205
D662,912 S	7/2012	Iijima		D811,365 S *	2/2018	Czaniecki	D14/205
				9,933,995 B2 *	4/2018	Welti	G06F 3/167
				D826,208 S *	8/2018	Czaniecki	D14/205
				2005/0053255 A1 *	3/2005	Harris	H04R 1/1066 381/379
				2014/0254854 A1 *	9/2014	Blonder	H04R 1/1066 381/371
				2016/0216943 A1 *	7/2016	Welti	G06F 1/163

* cited by examiner



FIG. 1



FIG. 2



FIG. 3

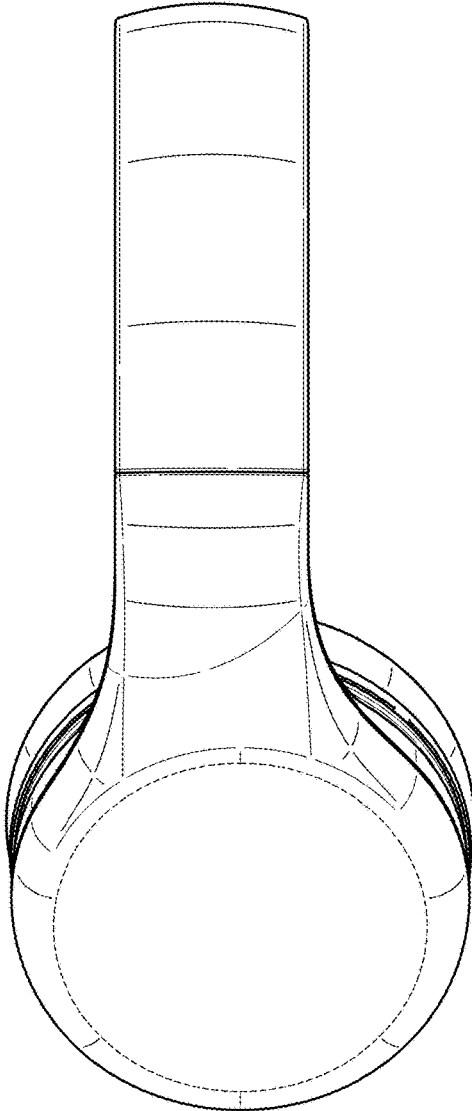


FIG. 4

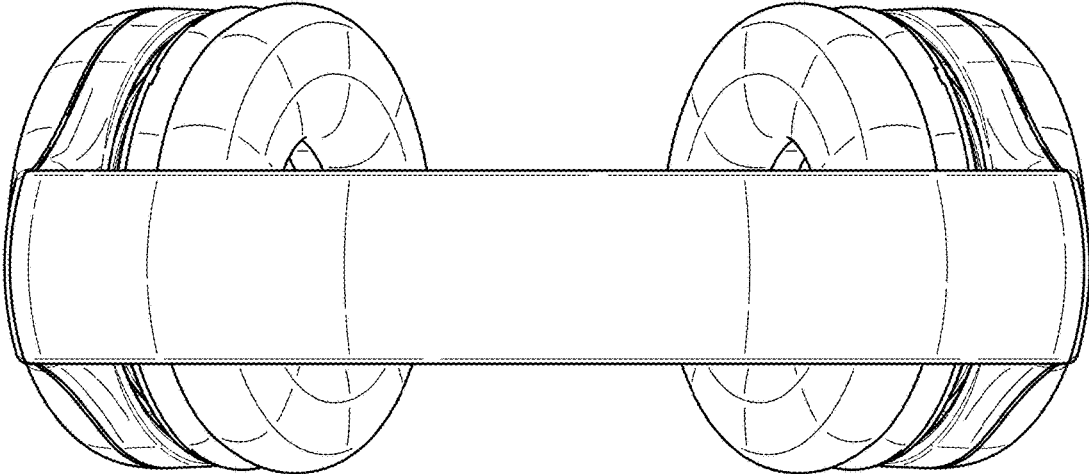


FIG. 5

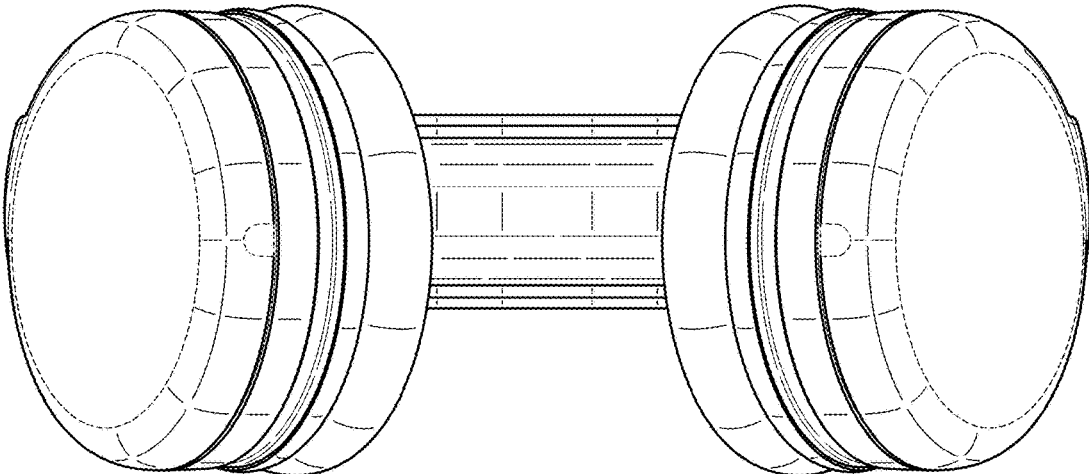


FIG. 6

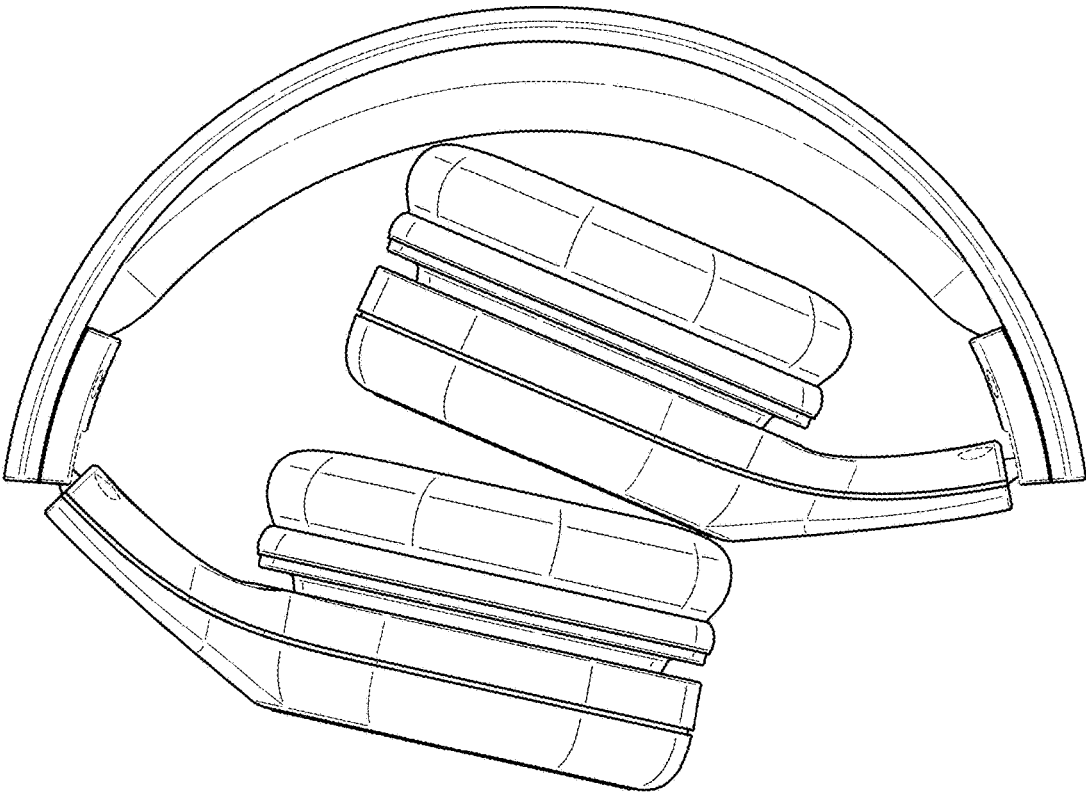


FIG. 7



FIG. 8

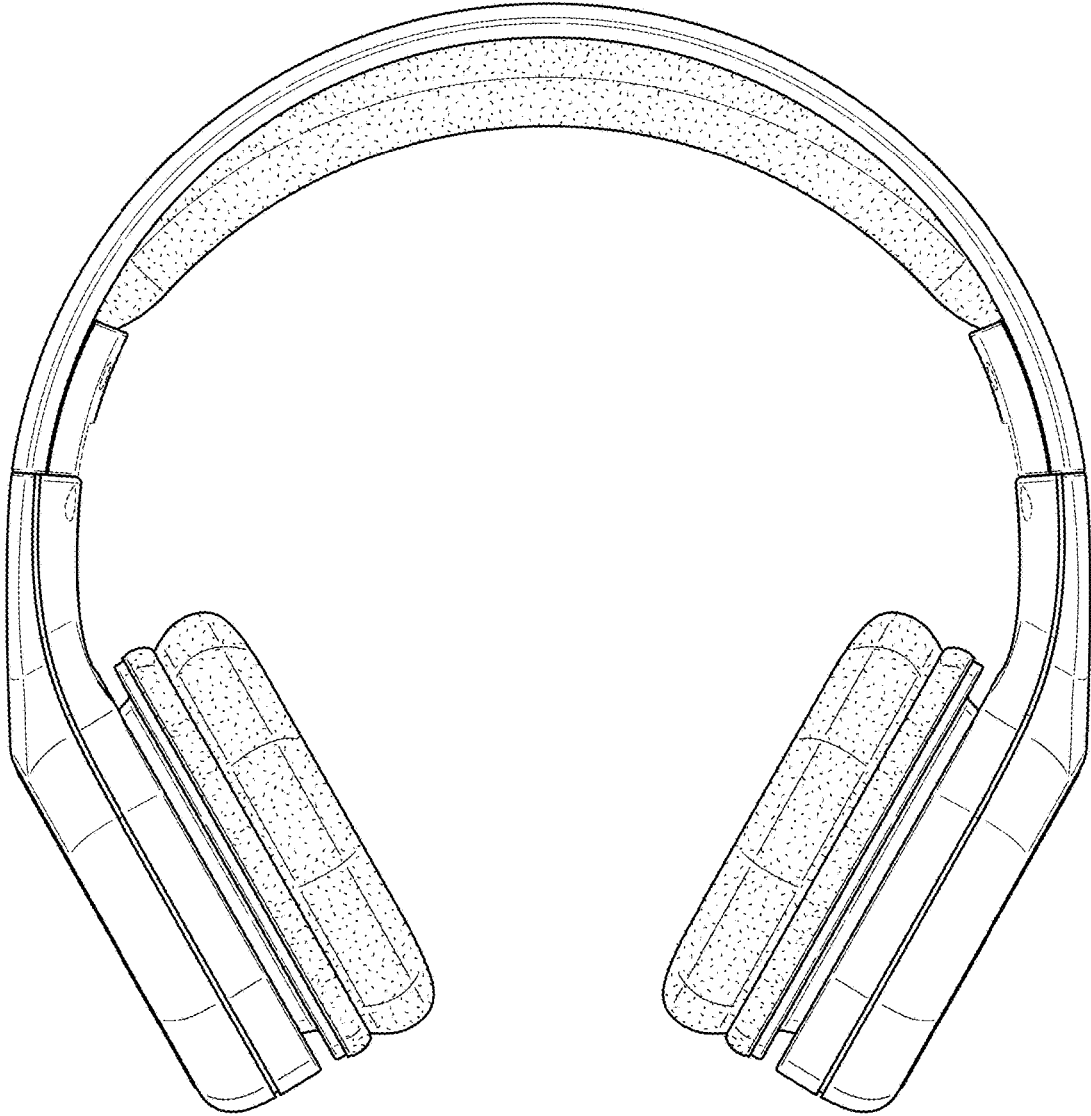


FIG. 9

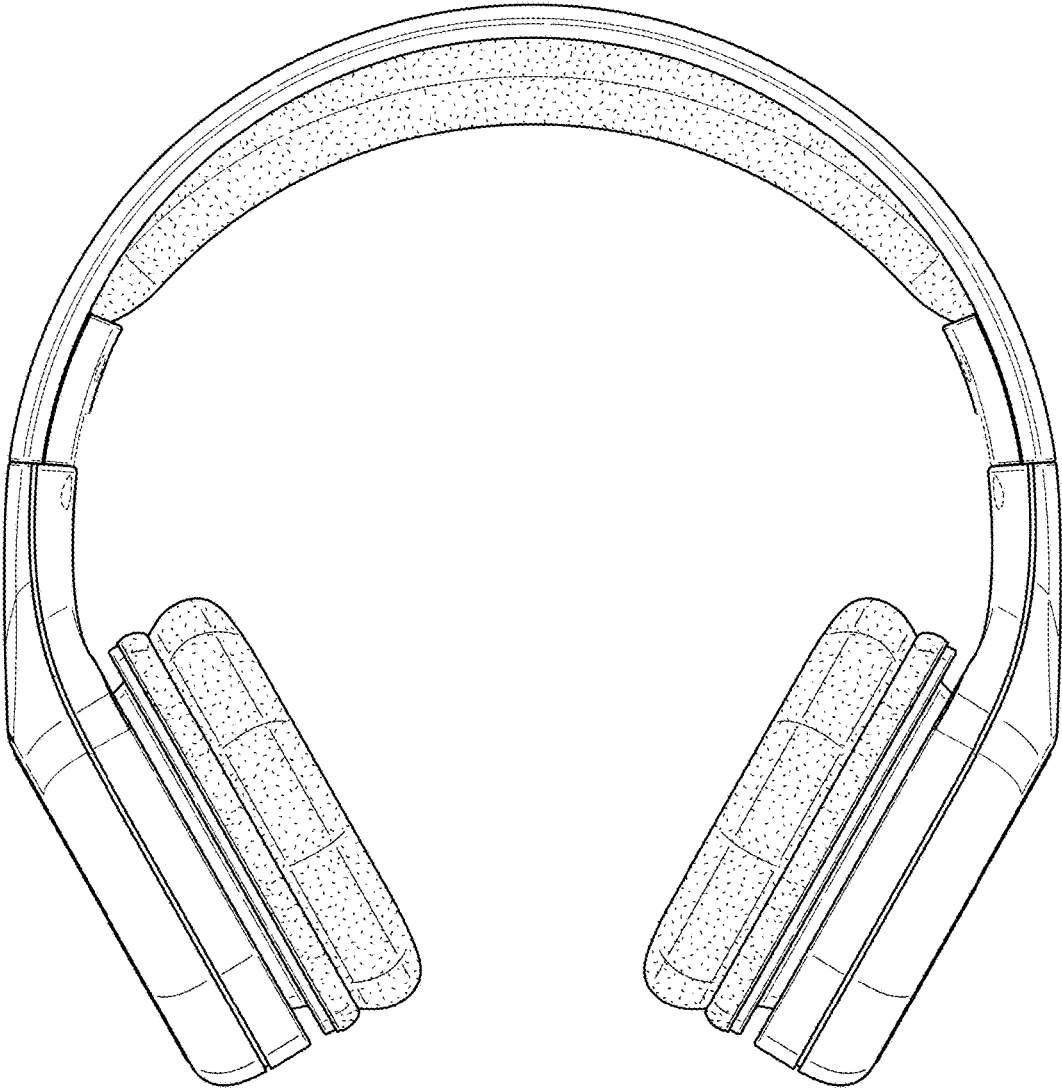


FIG. 10

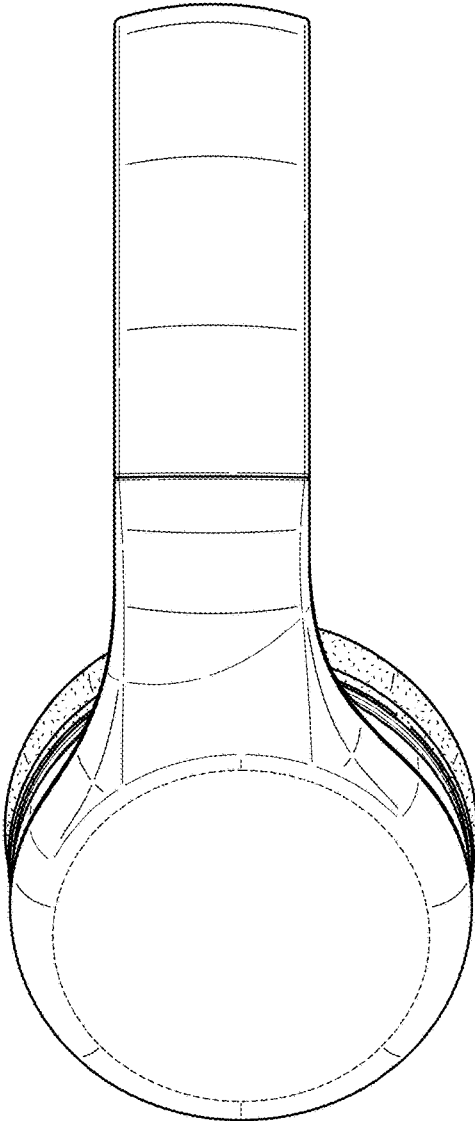


FIG. 11

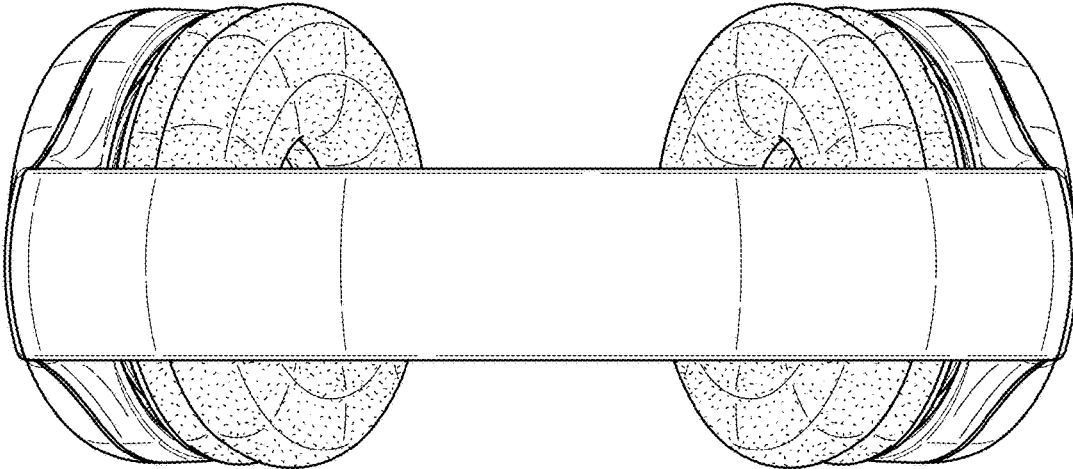


FIG. 12

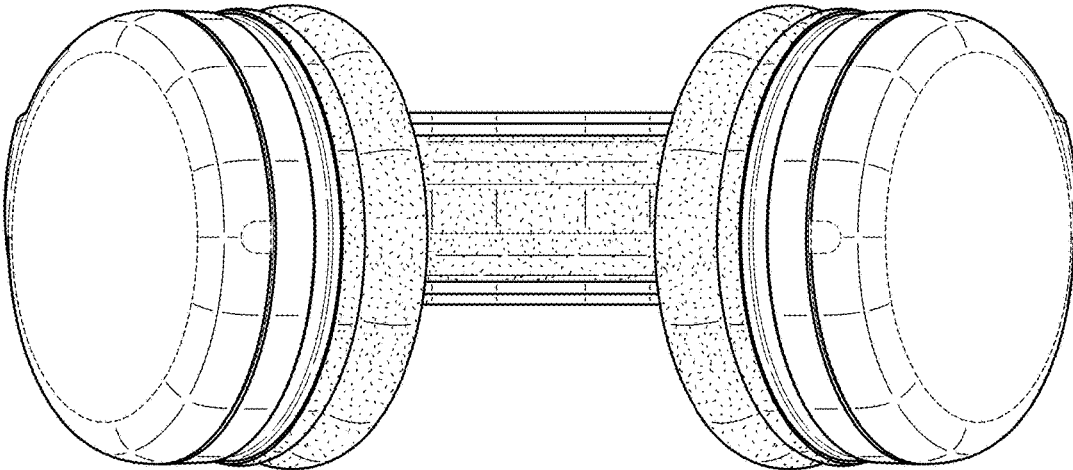


FIG. 13

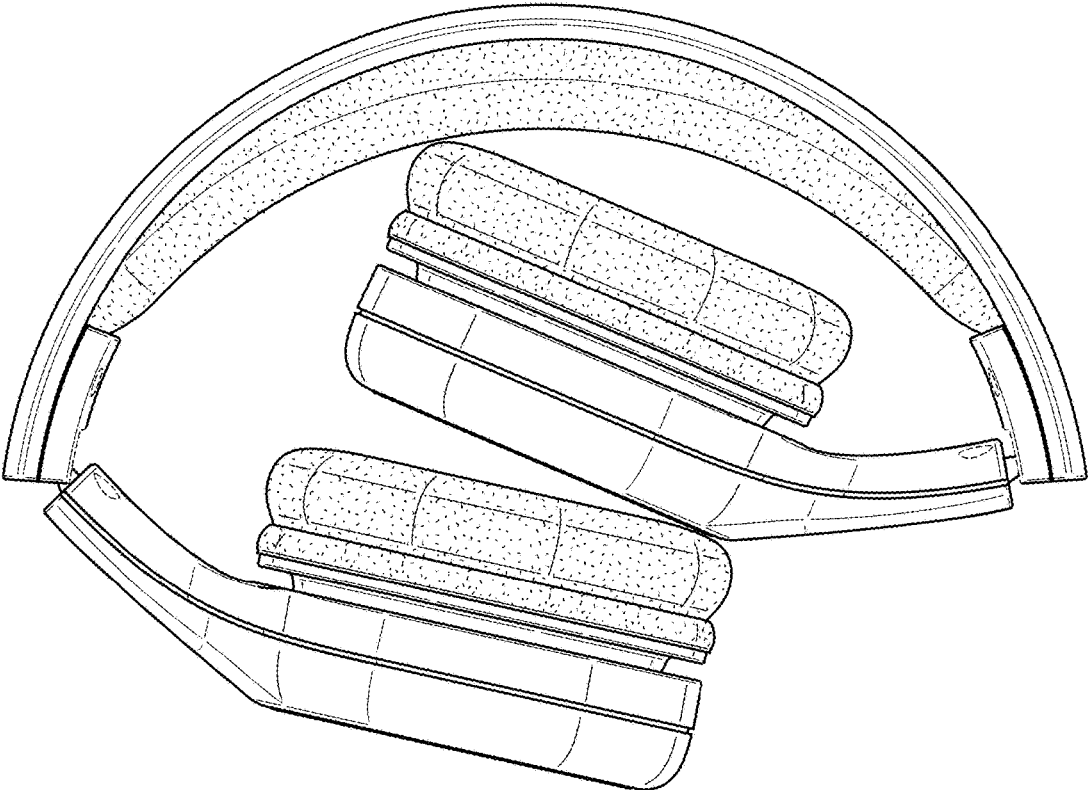


FIG. 14