



US0D1028566S

(12) **United States Design Patent**
Carpenter et al.

(10) **Patent No.:** **US D1,028,566 S**

(45) **Date of Patent:** **** May 28, 2024**

- (54) **AMMUNITION TRAY**
- (71) Applicant: **Icon Outdoors, LLC**, Olive Branch, MS (US)
- (72) Inventors: **Justin Carpenter**, Olive Branch, MS (US); **Jamie Spence**, Olive Branch, MS (US)

5,293,889 A 3/1994 Hall et al.
 5,470,038 A 11/1995 Clark
 5,553,717 A 9/1996 Minneman et al.
 5,680,939 A 10/1997 Oliver
 (Continued)

- (73) Assignee: **Icon Outdoors, LLC**, Olive Branch, MS (US)

FOREIGN PATENT DOCUMENTS

CN 306408896 * 3/2021
 CN 307217522 * 4/2022
 (Continued)

(**) Term: **15 Years**

(21) Appl. No.: **29/863,536**

(22) Filed: **Dec. 20, 2022**

(51) **LOC (14) Cl.** **06-04**

(52) **U.S. Cl.**
USPC **D6/552**

(58) **Field of Classification Search**
 USPC D6/552, 553, 567, 572; D3/313-315, D3/304, 311; D7/701, 605, 550.1; D9/341, 758, 456, 737, 756; D22/108, D22/115, 116, 199, 112; D24/227; 206/3, 523, 593
 CPC F41A 9/83; F41A 9/82; F41A 9/01; F41A 9/09; F41A 9/86; B65D 1/36; B65D 21/0209; F42B 39/00; F42B 39/26
 See application file for complete search history.

OTHER PUBLICATIONS

MTM P-100-9-24 Ammo Box, posted Dec. 16, 2006 [online], [retrieved Jan. 25, 2024]. Retrieved from internet, <https://www.amazon.com/MTM-Case-Gard-P-100-Small-Handgun/dp/B000H8ZO1U?th=1> (Year: 2006).*

(Continued)

Primary Examiner — Cynthia Ramirez
Assistant Examiner — Jeremy S. Swartz
 (74) *Attorney, Agent, or Firm* — Warren D. Schickli; Sites & Harbison PLLC

(57) **CLAIM**

The ornamental design for an ammunition tray, as shown and described.

DESCRIPTION

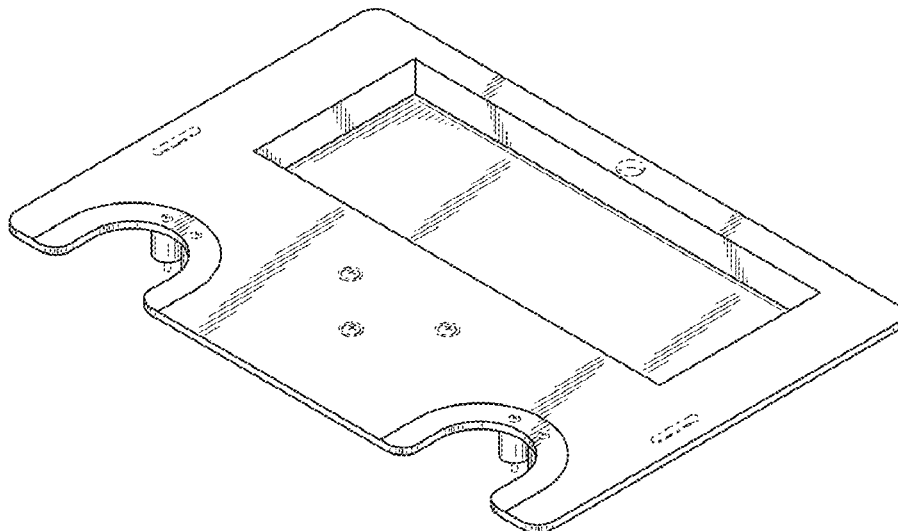
FIG. 1 is a perspective view showing a new design for an ammunition tray;
 FIG. 2 is a top plan view thereof;
 FIG. 3 is a front elevational view thereof;
 FIG. 4 is a bottom plan view thereof;
 FIG. 5 is a rear elevational view thereof;
 FIG. 6 is a right side elevational view thereof; and,
 FIG. 7 is a left side elevational view thereof.
 The broken lines in the figures depict portions of an ammunition tray and form no part of the claimed design.

(56) **References Cited**

U.S. PATENT DOCUMENTS

2,625,985 A 1/1953 Morgan et al.
 3,007,581 A 11/1961 Moore
 3,746,177 A 7/1973 Vilotti
 3,952,878 A 4/1976 Gorham
 4,089,423 A 5/1978 Gorham et al.
 4,144,971 A 3/1979 Balibrea
 4,271,969 A 6/1981 Gnesa
 D265,154 S * 6/1982 Cox D7/553.4
 4,936,038 A 6/1990 Johnson et al.

1 Claim, 4 Drawing Sheets



(56)

References Cited

U.S. PATENT DOCUMENTS

5,819,462	A	10/1998	Dockery	
5,860,534	A	1/1999	Minneman et al.	
6,935,065	B1	8/2005	Oliver	
7,124,530	B1	10/2006	Clark	
8,191,561	B2	6/2012	Brooks, III	
8,403,278	B1	3/2013	Kasbohm	
8,695,935	B1	4/2014	Kasbohm	
9,107,498	B1	8/2015	Wooten	
9,115,948	B2	8/2015	Murphey	
D743,713	S *	11/2015	Flick	D6/552
9,610,901	B2	4/2017	Sheehan	
9,810,514	B2 *	11/2017	Hofer	B65D 21/0209
D876,959	S *	3/2020	Kedairy	D9/737
11,110,867	B2	9/2021	Franklin	
D939,240	S *	12/2021	Abascal	D6/552
D1,011,147	S *	1/2024	Nilsson	D7/701
2016/0076847	A1	3/2016	Franklin	
2022/0063875	A1 *	3/2022	Kirchmair	A61J 1/10
2023/0135314	A1 *	5/2023	Bontrager	B65D 1/34
				206/506
2023/0310734	A1 *	10/2023	Tono	A61M 5/002
				206/438
2024/0017872	A1 *	1/2024	Ahn	B65D 21/023

FOREIGN PATENT DOCUMENTS

CN	308067050	*	6/2023
CN	308373516	*	12/2023
JP	D1748296	*	7/2023

OTHER PUBLICATIONS

MTM W30-22-41 30 Round 22 Caliber Ammo Wallet, posted Jul. 7, 2004 [online], [retrieved Jan. 25, 2024]. Retrieved from internet, <https://www.amazon.com/MTM-Round-Caliber-Wallet-Clear/dp/B0013R6JJ0> (Year: 2004).*

Lee Precision 90197 Universal Press Shell Holder, posted Jun. 8, 2005 [online], [retrieved Jan. 25, 2024]. Retrieved from internet, <https://www.amazon.com/LEE-PRECISION-90197-Universal-Holder/dp/B000NTMJK2> (Year: 2005).*

MTM LT-50-43 Compact Universal Loading Tray, posted Mar. 16, 2008 [online], [retrieved Jan. 25, 2024]. Retrieved from internet, <https://www.amazon.com/MTM-LT-50-43-Compact-Universal-Loading/dp/B00162MHPW> (Year: 2008).*

MTM Ammo Can Tray, posted unknown [online], [retrieved Jan. 25, 2024]. Retrieved from internet, <https://www.midwayusa.com/product/1020688517?pid=869140> (Year: 2024).*

Tray Assy Ammo Ammunition, posted unknown [online], [retrieved Jan. 25, 2024]. Retrieved from internet, <https://real4wd.com/product/tray-assy-ammo-ammunition-double-used/> (Year: 2024).*

* cited by examiner

FIG. 1

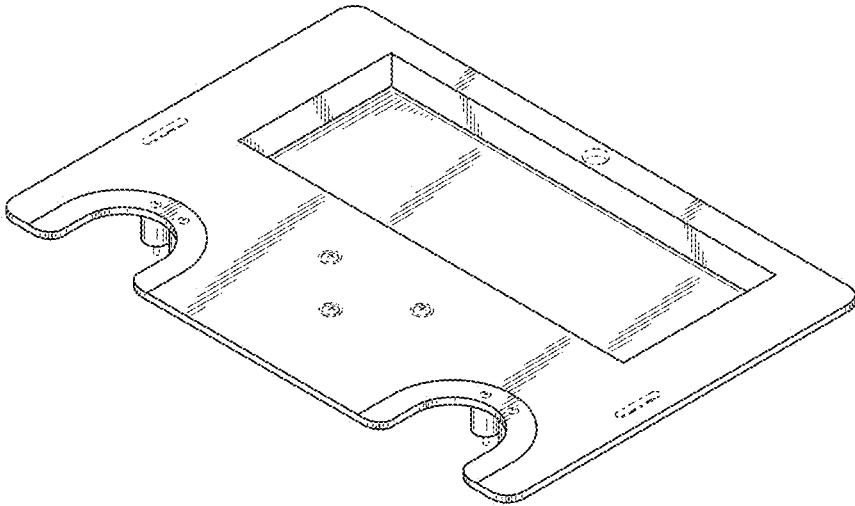


FIG. 2

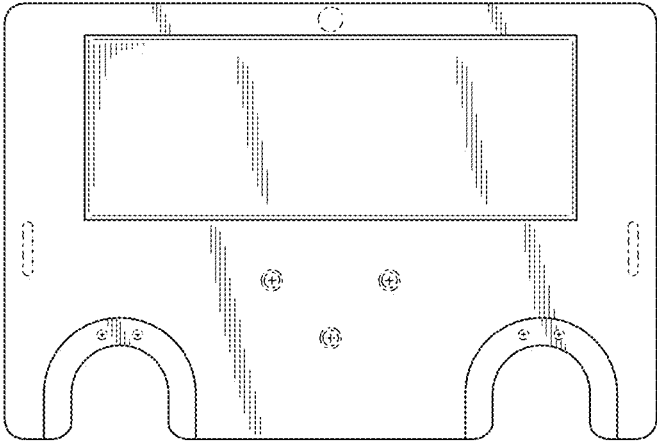


FIG. 3

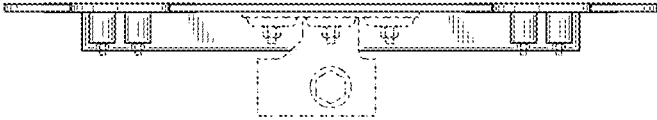


FIG. 4

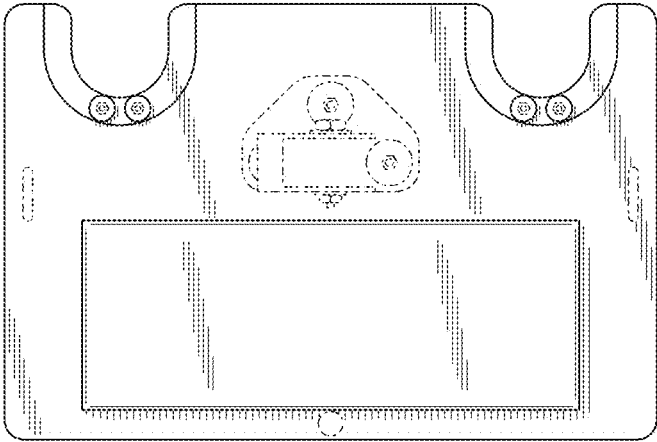


FIG. 5

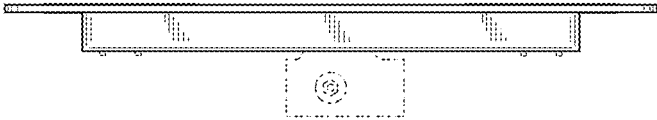


FIG. 6

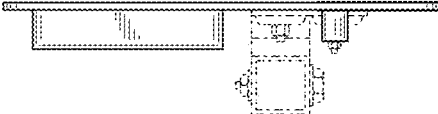


FIG. 7

