

(19) World Intellectual Property Organization
International Bureau



(43) International Publication Date
24 September 2009 (24.09.2009)

(10) International Publication Number
WO 2009/117552 A3

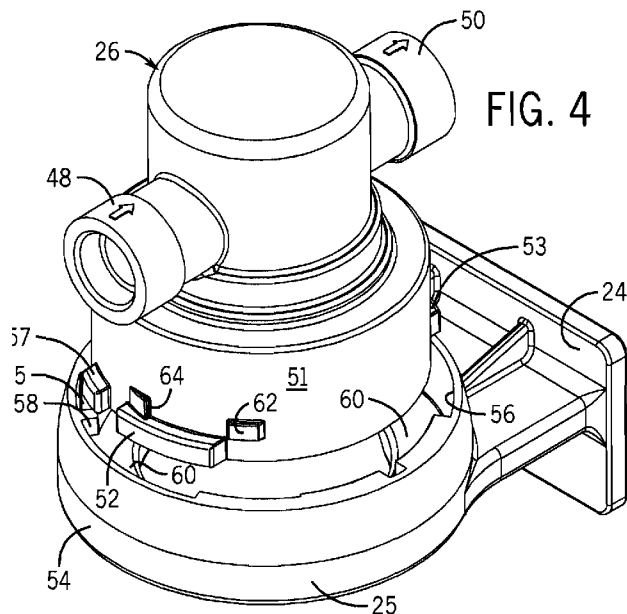
- (51) International Patent Classification:
B01D 35/153 (2006.01) *B01D 35/30* (2006.01)
- (21) International Application Number:
PCT/US2009/037624
- (22) International Filing Date:
19 March 2009 (19.03.2009)
- (25) Filing Language: English
- (26) Publication Language: English
- (30) Priority Data:
12/052,833 21 March 2008 (21.03.2008) US
- (71) Applicant (for all designated States except US): **PEN-TAIR FILTRATION, INC.** [US/US]; 502 Indiana Avenue, Sheboygan, WI 53081 (US).
- (72) Inventors; and
- (75) Inventors/Applicants (for US only): **ZERGER, Terry, P.** [US/US]; 306 S. Wisconsin Drive, Howards Grove, WI 53083 (US). **KURTH, Michael, J.** [US/US]; 1509 Appletree Road, Howards Grove, WI 53083 (US). **ES-ERKALN, Paul, W.** [US/US]; 1635 Erie Avenue, She-

boygan, WI 53081 (US). **GAFFNEY, Thomas, E.** [US/US]; 1627 S. 26th Street, Sheboygan, WI 53081 (US). **STEFFEN, Deborah, K.** [US/US]; N9306 Cypress Road, Malone, WI 53049 (US).

- (74) Agent: **JOCHMAN, Joseph, J.**; Andrus, Scales, Starke & Sawali, LLP, 100 East Wisconsin Avenue, St.. 1100, Milwaukee, Wisconsin 53202-4178 (US).
- (81) Designated States (unless otherwise indicated, for every kind of national protection available): AE, AG, AL, AM, AO, AT, AU, AZ, BA, BB, BG, BH, BR, BW, BY, BZ, CA, CH, CN, CO, CR, CU, CZ, DE, DK, DM, DO, DZ, EC, EE, EG, ES, FI, GB, GD, GE, GH, GM, GT, HN, HR, HU, ID, IL, IN, IS, JP, KE, KG, KM, KN, KP, KR, KZ, LA, LC, LK, LR, LS, LT, LU, LY, MA, MD, ME, MG, MK, MN, MW, MX, MY, MZ, NA, NG, NI, NO, NZ, OM, PG, PH, PL, PT, RO, RS, RU, SC, SD, SE, SG, SK, SL, SM, ST, SV, SY, TJ, TM, TN, TR, TT, TZ, UA, UG, US, UZ, VC, VN, ZA, ZM, ZW.
- (84) Designated States (unless otherwise indicated, for every kind of regional protection available): ARIPO (BW, GH, GM, KE, LS, MW, MZ, NA, SD, SL, SZ, TZ, UG, ZM, ZW), Eurasian (AM, AZ, BY, KG, KZ, MD, RU, TJ,

[Continued on next page]

(54) Title: MODULAR DRINKING WATER FILTRATION SYSTEM WITH KEYED ATTACHMENT OF FILTER HEAD TO MOUNTING BRACKET AND MODULAR BACK PLATES



(57) Abstract: A modular filter system using replaceable filter cartridges includes a mounting bracket for each filter cartridge and corresponding filter head that includes keyed attachment of the head to the mounting ring on the mounting bracket and modular attachment of the mounting bracket to the modular back plate. Back plates are also modular to permit assembly of a variety of multi-cartridge systems.

WO 2009/117552 A3



TM), European (AT, BE, BG, CH, CY, CZ, DE, DK, EE, ES, FI, FR, GB, GR, HR, HU, IE, IS, IT, LT, LU, LV, MC, MK, MT, NL, NO, PL, PT, RO, SE, SI, SK, TR), OAPI (BF, BJ, CF, CG, CI, CM, GA, GN, GQ, GW, ML, MR, NE, SN, TD, TG).

— *before the expiration of the time limit for amending the claims and to be republished in the event of receipt of amendments (Rule 48.2(h))*

(88) Date of publication of the international search report:
10 December 2009

Published:

— *with international search report (Art. 21(3))*

INTERNATIONAL SEARCH REPORT

International application No
PCT/US2009/037624

A. CLASSIFICATION OF SUBJECT MATTER
INV. B01D35/153 B01D35/30

According to International Patent Classification (IPC) or to both national classification and IPC

B. FIELDS SEARCHED

Minimum documentation searched (classification system followed by classification symbols)
B01D

Documentation searched other than minimum documentation to the extent that such documents are included in the fields searched

Electronic data base consulted during the international search (name of data base and, where practical, search terms used)

EPO-Internal

C. DOCUMENTS CONSIDERED TO BE RELEVANT

Category*	Citation of document, with indication, where appropriate, of the relevant passages	Relevant to claim No.
X	WO 2006/050114 A (CUNO INC [US]; BASSETT LAURENCE W [US]; CONTAXIS WILLIAM III [US]; TUB) 11 May 2006 (2006-05-11) page 14, line 10 - page 15, line 21; figures 1-5 page 22, line 17 - page 23, line 31; figures 52,53	1-5
X	US 3 746 171 A (THOMSEN J) 17 July 1973 (1973-07-17) column 3, line 48 - column 4, line 16; figures 4,5	1,3
A	US 4 102 473 A (DRAXLER WALTER E) 25 July 1978 (1978-07-25) figures	1-5
----- -/-		

Further documents are listed in the continuation of Box C.

See patent family annex.

* Special categories of cited documents :

- *A* document defining the general state of the art which is not considered to be of particular relevance
- *E* earlier document but published on or after the International filing date
- *L* document which may throw doubts on priority claim(s) or which is cited to establish the publication date of another citation or other special reason (as specified)
- *O* document referring to an oral disclosure, use, exhibition or other means
- *P* document published prior to the international filing date but later than the priority date claimed

- *T* later document published after the international filing date or priority date and not in conflict with the application but cited to understand the principle or theory underlying the invention
- *X* document of particular relevance; the claimed invention cannot be considered novel or cannot be considered to involve an inventive step when the document is taken alone
- *Y* document of particular relevance; the claimed invention cannot be considered to involve an inventive step when the document is combined with one or more other such documents, such combination being obvious to a person skilled in the art.
- *Z* document member of the same patent family

Date of the actual completion of the international search

10 July 2009

Date of mailing of the international search report

27/10/2009

Name and mailing address of the ISA/
European Patent Office, P.B. 5818 Patentlaan 2
NL - 2280 HV Rijswijk
Tel. (+31-70) 340-2040,
Fax: (+31-70) 340-3016

Authorized officer

Plaka, Theophano

INTERNATIONAL SEARCH REPORT

International application No.
PCT/US2009/037624

Box No. II Observations where certain claims were found unsearchable (Continuation of item 2 of first sheet)

This international search report has not been established in respect of certain claims under Article 17(2)(a) for the following reasons:

1. Claims Nos.:
because they relate to subject matter not required to be searched by this Authority, namely:

2. Claims Nos.:
because they relate to parts of the international application that do not comply with the prescribed requirements to such an extent that no meaningful international search can be carried out, specifically:

3. Claims Nos.:
because they are dependent claims and are not drafted in accordance with the second and third sentences of Rule 6.4(a).

Box No. III Observations where unity of invention is lacking (Continuation of item 3 of first sheet)

This International Searching Authority found multiple inventions in this international application, as follows:

see additional sheet

1. As all required additional search fees were timely paid by the applicant, this international search report covers allsearchable claims.
2. As all searchable claims could be searched without effort justifying an additional fees, this Authority did not invite payment of additional fees.
3. As only some of the required additional search fees were timely paid by the applicant, this international search report covers only those claims for which fees were paid, specifically claims Nos.:
4. No required additional search fees were timely paid by the applicant. Consequently, this international search report is restricted to the invention first mentioned in the claims; it is covered by claims Nos.:

1-13

Remark on Protest

- The additional search fees were accompanied by the applicant's protest and, where applicable, the payment of a protest fee.
- The additional search fees were accompanied by the applicant's protest but the applicable protest fee was not paid within the time limit specified in the invitation.
- No protest accompanied the payment of additional search fees.

FURTHER INFORMATION CONTINUED FROM PCT/ISA/ 210

This International Searching Authority found multiple (groups of) inventions in this international application, as follows:

1. claims: 1-13

Combination of filter cartridge with filter head and valve spindle, further incorporating a mounting bracket and mounting ring, the mounting ring specified to cooperate with the filter head.

1.1. claims: 1-5

Combination of filter cartridge with filter head and valve spindle, further incorporating a mounting bracket and mounting ring, the mounting ring specified to cooperate with the filter head; Details for connecting the various parts: filter head, filter cartridge, valve spindle also in relationship to the mounting ring.

1.2. claims: 1,6-13

Combination of filter cartridge with filter head and valve spindle, further incorporating a mounting bracket and mounting ring, the mounting bracket comprising modular back plate. Details of mounting bracket, mounting plate and cover.

2. claims: 14,15

Combination of filter cartridge with filter head and valve spindle, further incorporating a mounting bracket and mounting ring, the mounting bracket comprising modular back plate.

INTERNATIONAL SEARCH REPORT

International application No
PCT/US2009/037624

C(Continuation). DOCUMENTS CONSIDERED TO BE RELEVANT

Category*	Citation of document, with indication, where appropriate, of the relevant passages	Relevant to claim No.
A	US 2005/045552 A1 (TADLOCK JOHN W [US]) 3 March 2005 (2005-03-03) figures -----	1-5

INTERNATIONAL SEARCH REPORT

Information on patent family members

International application No PCT/US2009/037624

Patent document cited in search report	Publication date	Patent family member(s)	Publication date
WO 2006050114 A	11-05-2006	AT 430612 T	15-05-2009
		AU 2005302492 A1	11-05-2006
		BR PI0518065 A	28-10-2008
		CN 101052451 A	10-10-2007
		EP 1824577 A1	29-08-2007
		JP 2008519212 T	05-06-2008
		KR 20070084596 A	24-08-2007
		US 2005067342 A1	31-03-2005
US 3746171 A	17-07-1973	NONE	
US 4102473 A	25-07-1978	NONE	
US 2005045552 A1	03-03-2005	CA 2537176 A1	10-03-2005
		MX PA06002475 A	31-08-2006
		US 2008135501 A1	12-06-2008
		WO 2005021128 A2	10-03-2005