



US00D844376S

(12) **United States Design Patent**  
**Rosette et al.**

(10) **Patent No.:** **US D844,376 S**

(45) **Date of Patent:** **\*\* Apr. 2, 2019**

(54) **BOTTLE LID**

(71) Applicant: **Disney Enterprises, Inc.**, Burbank, CA (US)

(72) Inventors: **Kaitlyn M. Rosette**, Los Angeles, CA (US); **Daria Vinogradova**, Lake Balboa, CA (US)

(73) Assignee: **Disney Enterprises, Inc.**, Burbank, CA (US)

(\*\*) Term: **15 Years**

(21) Appl. No.: **29/610,527**

(22) Filed: **Jul. 13, 2017**

(51) **LOC (11) Cl.** ..... **07-99**

(52) **U.S. Cl.**  
USPC ..... **D7/392; D7/392.1**

(58) **Field of Classification Search**  
USPC ..... D9/452, 453, 454, 435, 447, 449  
CPC ... A47G 19/2205; A47G 19/2222; A45F 3/16;  
A45F 3/20; B67D 7/06; B67D 7/0004;  
B65D 25/14; B65D 47/065; B65D  
47/066; B65D 2543/00101; B65D  
2543/00027

See application file for complete search history.

(56) **References Cited**

**U.S. PATENT DOCUMENTS**

D111,253 S	9/1938	Grasty	
D217,435 S	5/1970	Wire	
D267,076 S	11/1982	Hurtig	
D320,155 S	9/1991	Plochman, III et al.	
D451,812 S	12/2001	Colonna de Giovellina	
D491,069 S	6/2004	Heliste et al.	
D537,726 S	3/2007	Elgebrant	
D537,727 S	3/2007	Hutton	
D539,651 S	4/2007	Snyder	
D548,607 S	8/2007	Langbein et al.	
D558,583 S	1/2008	Langbein et al.	
D577,599 S	9/2008	Moretti	
D602,785 S	10/2009	Rothberg et al.	
D620,355 S *	7/2010	Nardini	D9/443

(Continued)

**OTHER PUBLICATIONS**

<http://www.paddypallin.com.au/nalgene-wide-mouth-hdpe-square-bottles.html>, Nalgene Wide Mouth HDPE Square Bottles Apr. 13, 2015.

(Continued)

*Primary Examiner* — Karen S Acker

*Assistant Examiner* — Steven B Reinholdt, Jr.

(74) *Attorney, Agent, or Firm* — Patterson + Sheridan, LLP

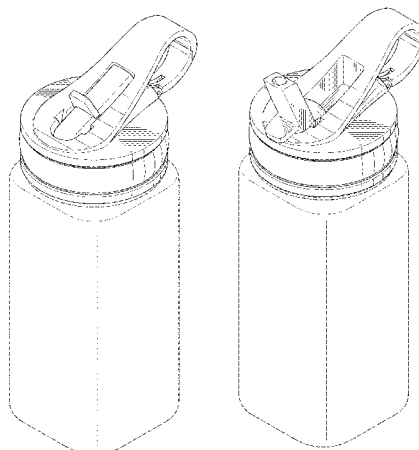
(57) **CLAIM**

The ornamental design for a bottle lid, as shown and described.

**DESCRIPTION**

FIG. 1 is a top front perspective view of a bottle lid showing our new design;  
 FIG. 2 is a bottom rear perspective view thereof;  
 FIG. 3 is a front elevational view thereof;  
 FIG. 4 is a left side elevational view thereof;  
 FIG. 5 is a rear elevational view thereof;  
 FIG. 6 is a right side elevational view thereof;  
 FIG. 7 is a top plan view thereof;  
 FIG. 8 is a bottom plan view thereof;  
 FIG. 9 is a top front perspective view of the bottle lid in a second position;  
 FIG. 10 is a front elevational view of the bottle lid in the second position;  
 FIG. 11 is a left side elevational view of the bottle lid in the second position;  
 FIG. 12 is a right side elevational view of the bottle lid in the second position; and,  
 FIG. 13 is a top plan view of the bottle lid in the second position.  
 The broken lines in the drawings depict environmental subject matter that forms no part of the claimed design.

**1 Claim, 13 Drawing Sheets**



(56)

References Cited

U.S. PATENT DOCUMENTS

D625,955 S 10/2010 Yang et al.  
 D638,658 S \* 5/2011 Staton ..... D7/392  
 D649,879 S 12/2011 Gullickson et al.  
 D652,256 S 1/2012 Eyal  
 D656,405 S 3/2012 Byron  
 8,297,462 B1 10/2012 Joyce  
 D688,093 S \* 8/2013 Roth ..... D7/392.1  
 D696,958 S 1/2014 Rex  
 D704,986 S 5/2014 Manies  
 D722,804 S 2/2015 Kay et al.  
 D723,333 S 3/2015 Lin  
 D724,384 S 3/2015 Donovan et al.  
 D741,720 S 10/2015 Anandani  
 D756,234 S 5/2016 Orset  
 D760,088 S 6/2016 Kaye et al.  
 D766,093 S 9/2016 Otani  
 D767,390 S \* 9/2016 Miksovsky ..... D7/392.1  
 D767,405 S 9/2016 Orset  
 D780,588 S 3/2017 Miller et al.  
 D781,654 S 3/2017 Marquard et al.  
 D788,593 S 6/2017 Dalton  
 D791,549 S 7/2017 Goodwin et al.  
 D795,009 S 8/2017 Alprin et al.  
 D798,160 S 9/2017 Miller et al.  
 D799,320 S 10/2017 Goodwin et al.  
 D805,350 S 12/2017 Cetera et al.  
 D810,500 S 2/2018 Maple  
 D813,668 S \* 3/2018 Miller ..... D9/446  
 D814,308 S 4/2018 Aebi  
 D815,908 S \* 4/2018 Kauss ..... D7/511  
 D816,397 S \* 5/2018 Karl, IV ..... D7/392.1  
 D830,772 S \* 10/2018 Rosette ..... D7/510  
 2009/0266736 A1 10/2009 Sprishen et al.  
 2018/0282030 A1 \* 10/2018 Anderl ..... B65D 47/00

OTHER PUBLICATIONS

European Register of Community Designs Certificate of Registration No. 004661338-0001, Registration Date Jan. 10, 2018.  
 European Register of Community Designs Certificate of Registration No. 004661338-0002, Registration Date Jan. 10, 2018.  
 European Register of Community Designs Certificate of Registration No. 004661338-0003, Registration Date Jan. 10, 2018.  
 European Register of Community Designs Certificate of Registration No. 004661338-0004, Registration Date Jan. 10, 2018.  
 European Register of Community Designs Certificate of Registration No. 004661338-0005, Registration Date Jan. 10, 2018.  
 Design U.S. Appl. No. 29/610,537, Entitled "Bottle", filed Jul. 13, 2017.  
 Design U.S. Appl. No. 29/610,545, Entitled "Bottle", filed Jul. 13, 2017.  
 Japanese Design Patent Application No. 2018-000414, Entitled "Bottle", Filed Feb. 20, 2018.  
 Japanese Design Patent Application No. 2018-000381, Entitled "Bottle", Filed Feb. 20, 2018.  
 Canada Design Patent Application No. 179015, Entitled "Bottle", Filed Jan. 4, 2018.  
 Chinese Design Patent Application No. 201830012569.9, Entitled "Bottle", Filed Jan. 11, 2018.  
 Chinese Design Patent Application No. 201830304827.0, Entitled "Bottle Container", Filed Jan. 11, 2018.  
 Chinese Design Patent Application No. 201830305213.4, Entitled "Bottle", Filed Jan. 11, 2018.  
 Japanese Design Patent Application No. 2018-000387, Entitled "Bottle", Filed Jan. 12, 2018.

\* cited by examiner

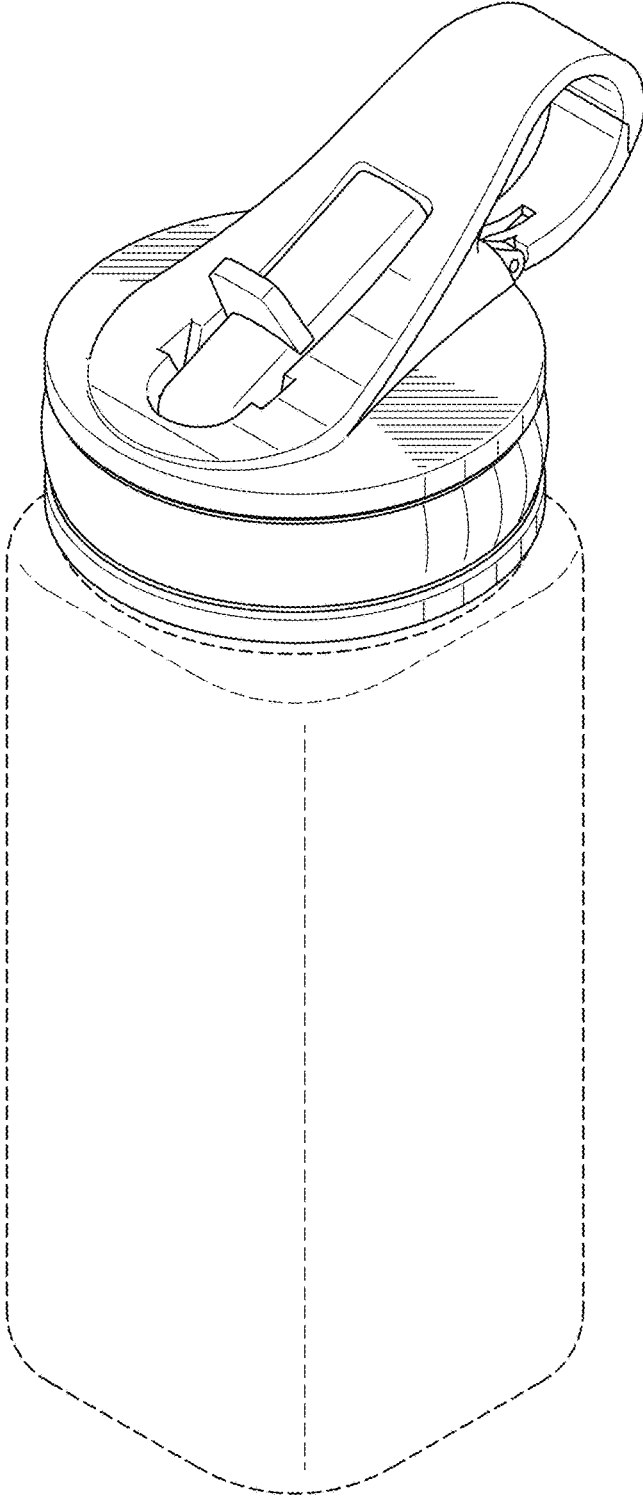
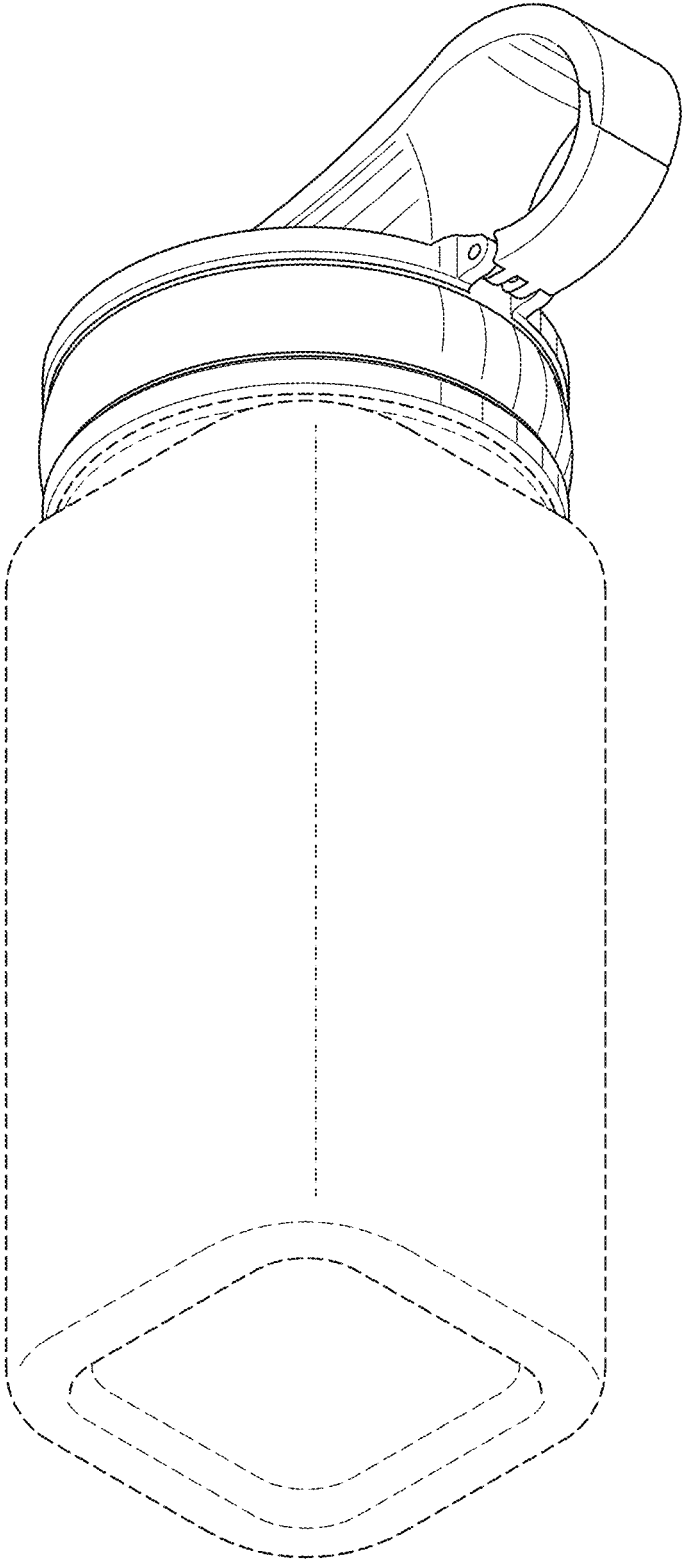
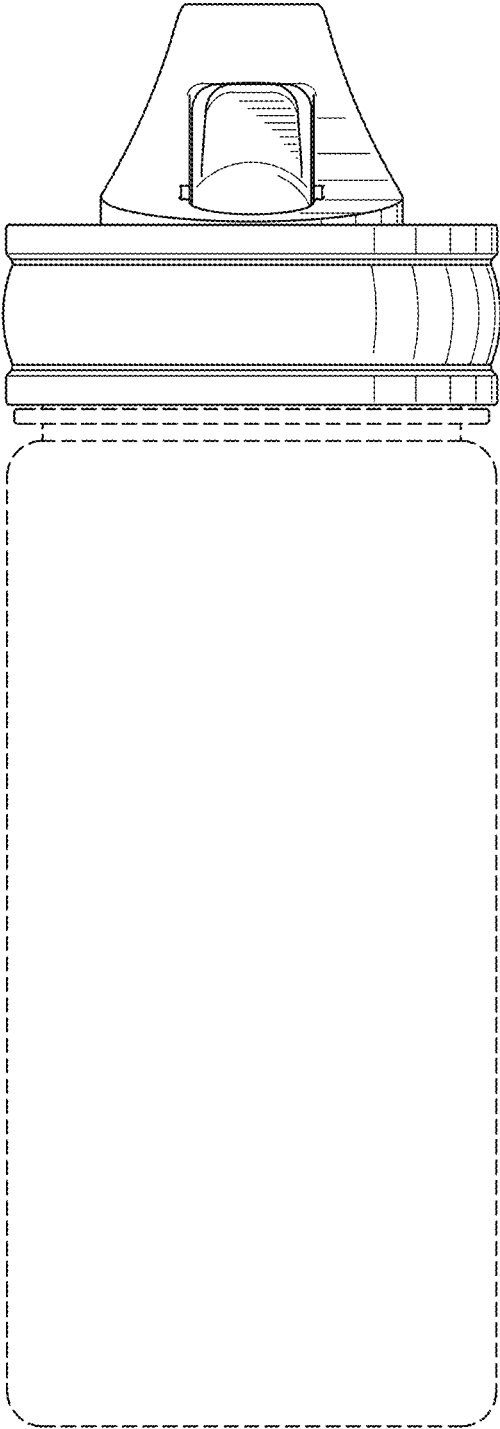


Fig. 1



*Fig. 2*



*Fig. 3*

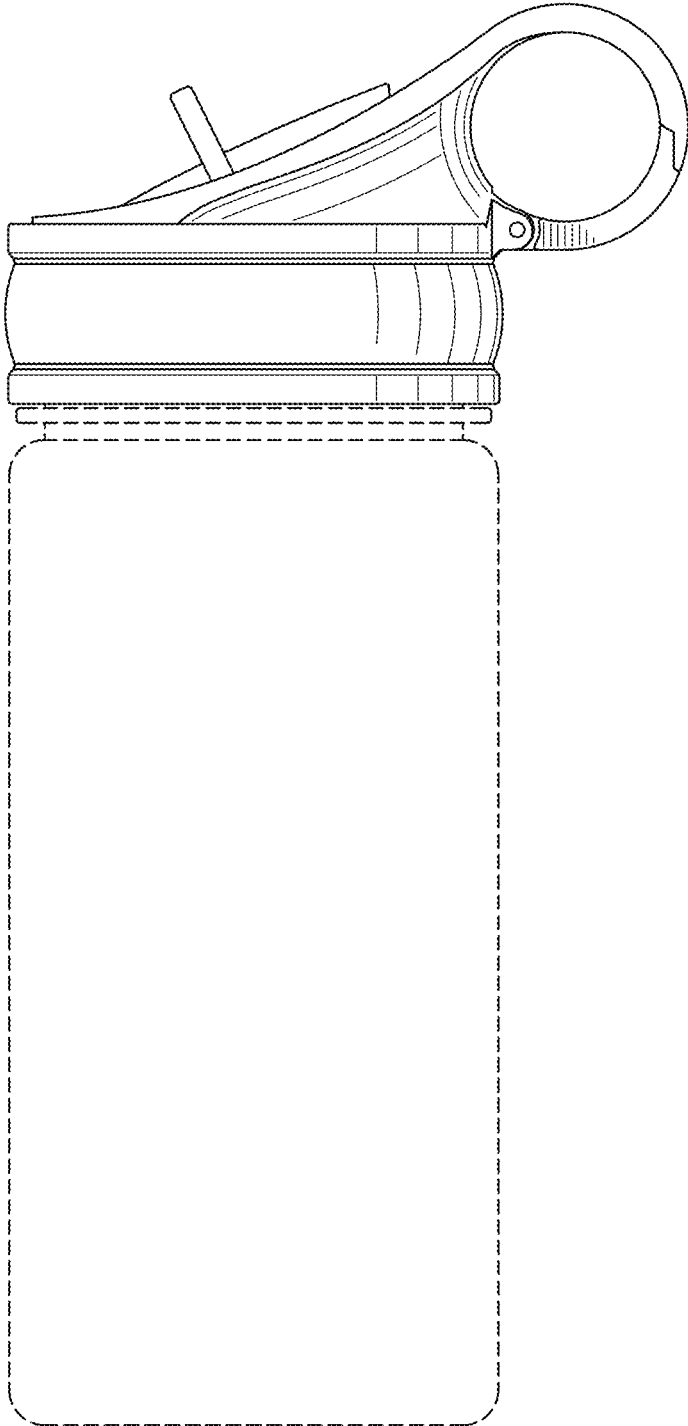
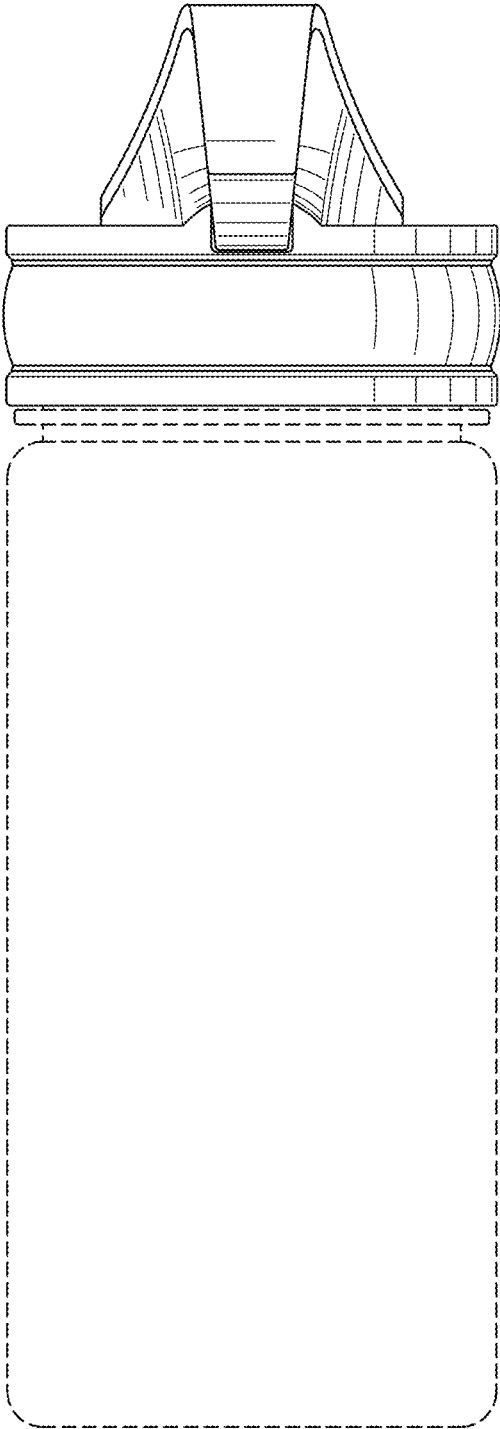
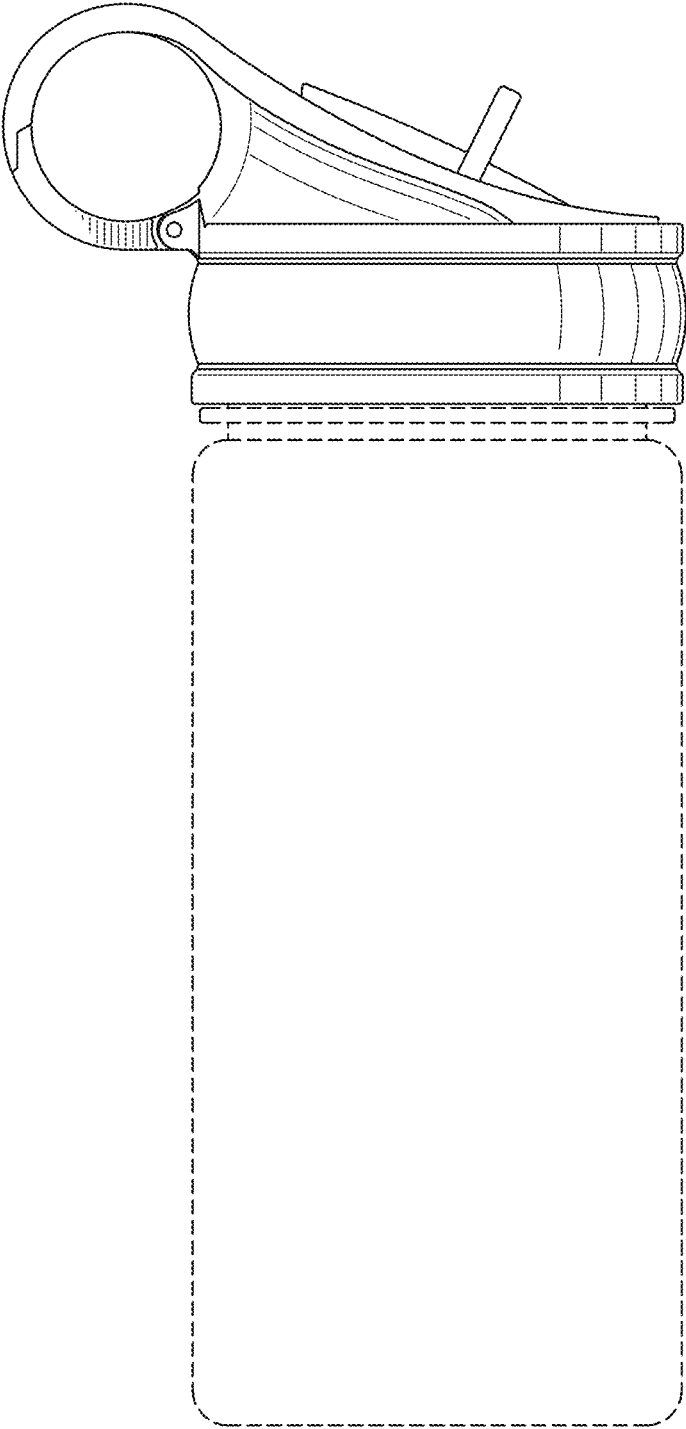


Fig. 4

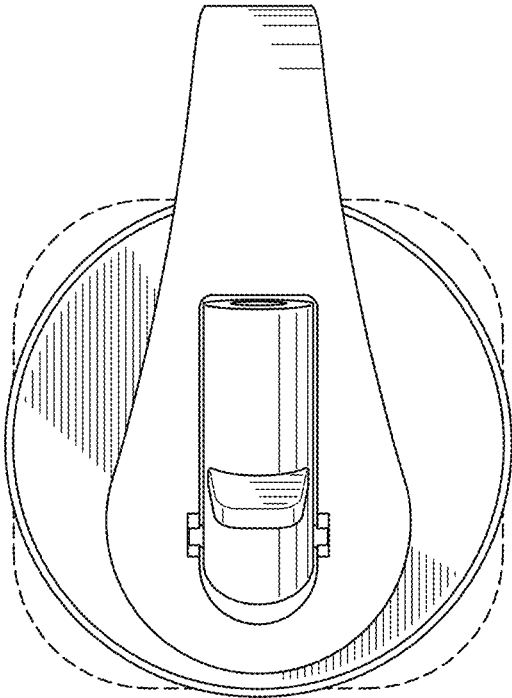


*Fig. 5*

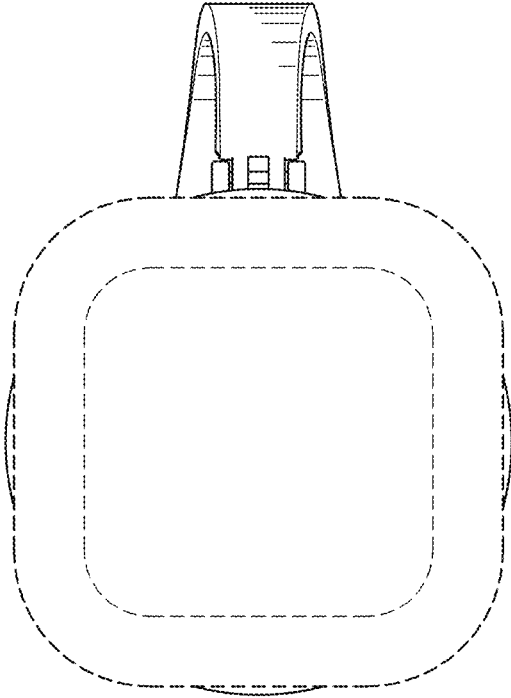


*Fig. 6*





*Fig. 7*



*Fig. 8*

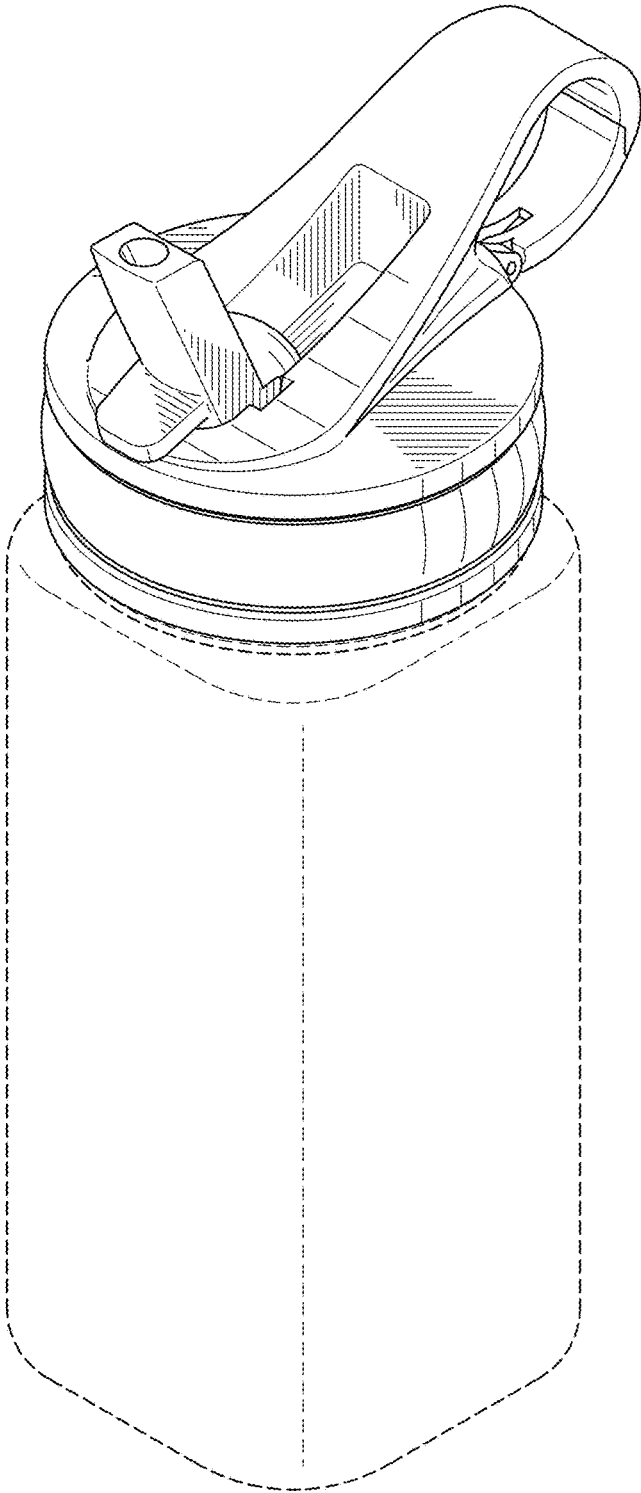
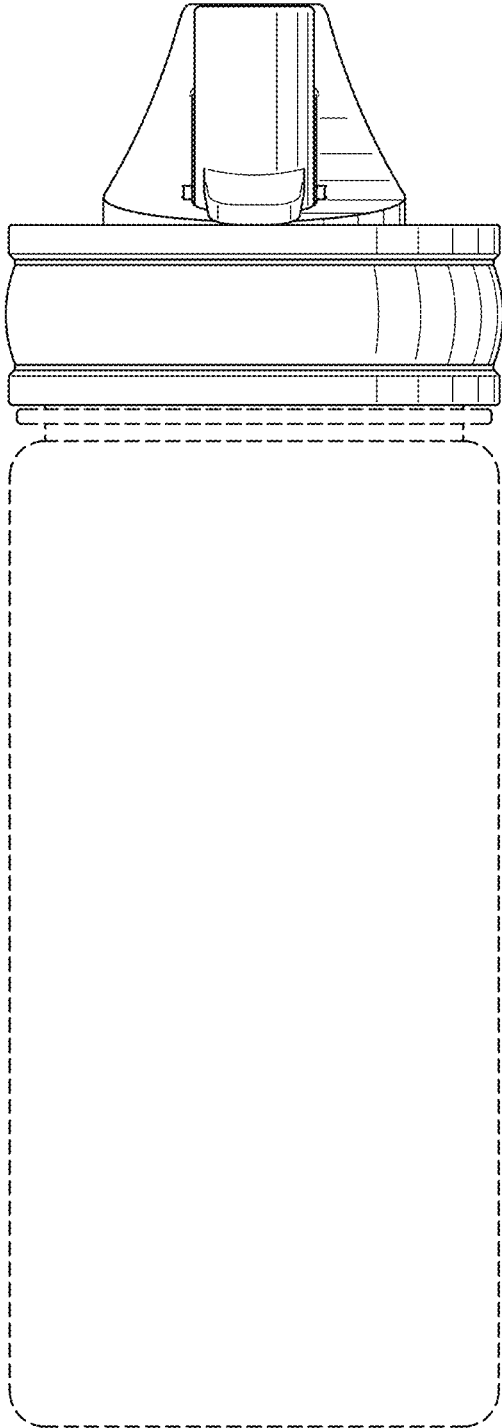
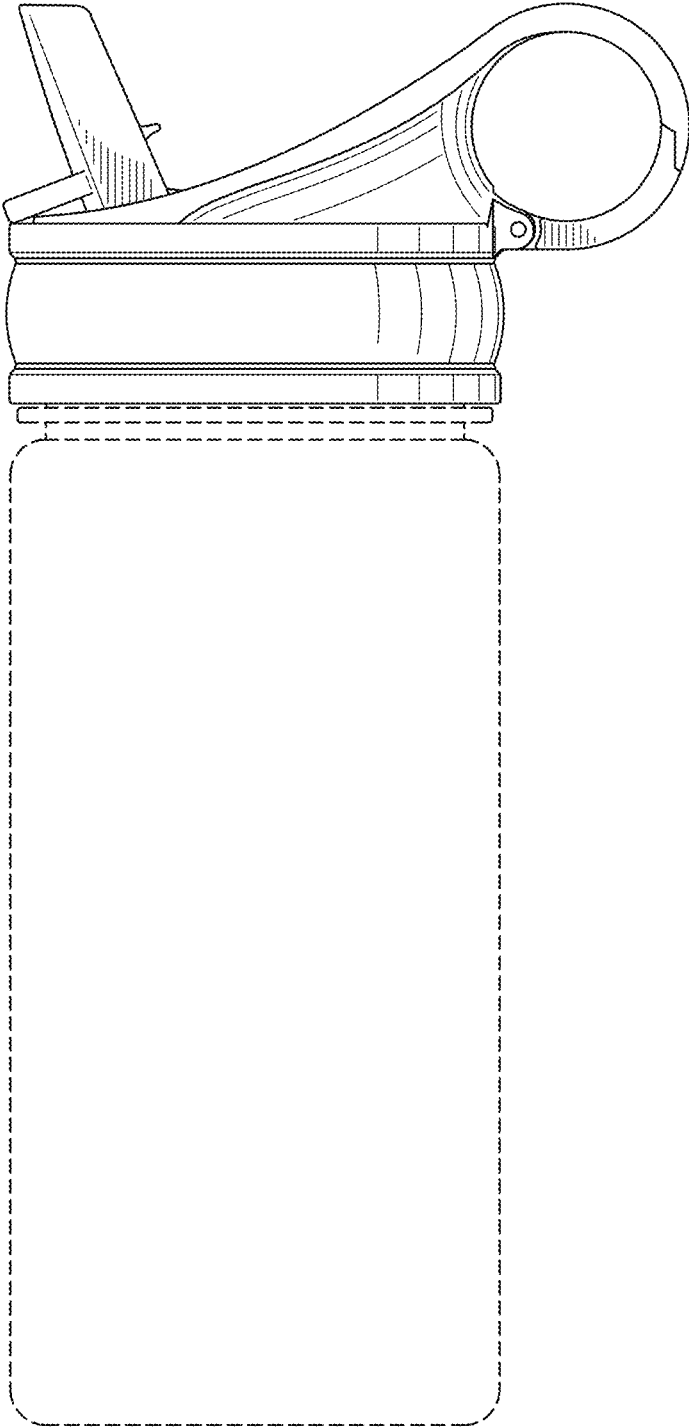


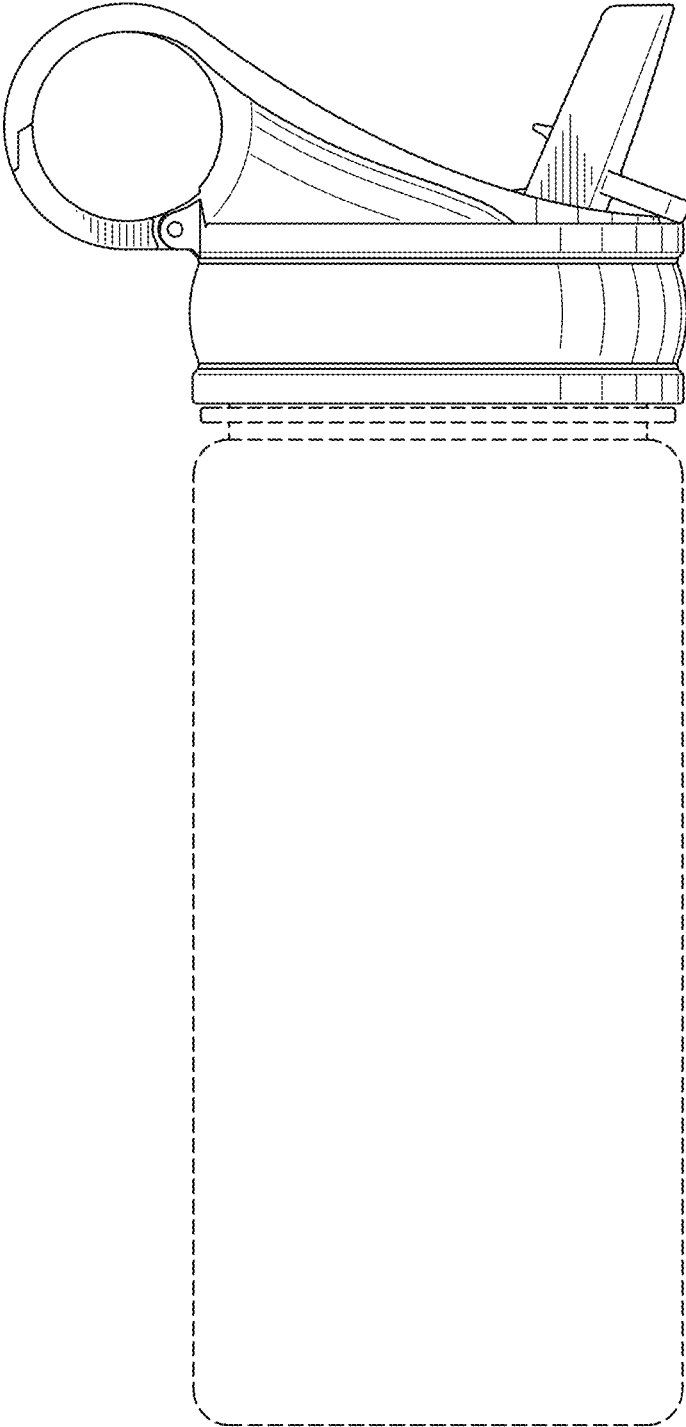
Fig. 9



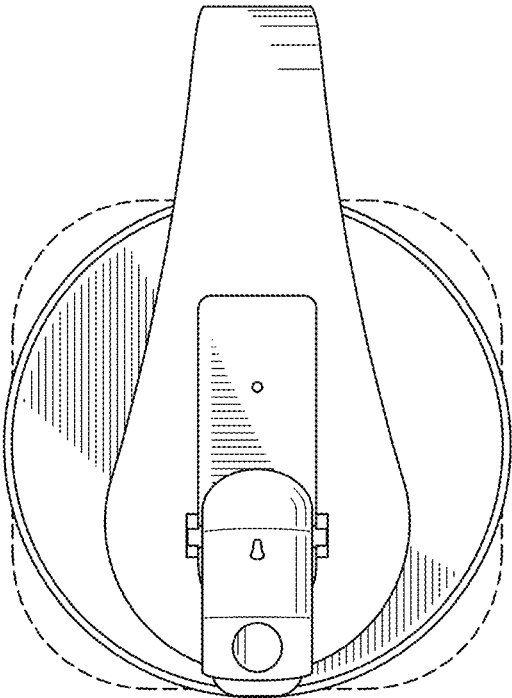
*Fig. 10*



*Fig. 11*



*Fig. 12*



*Fig. 13*