



US00D780437S

(12) **United States Design Patent**
Laemmlen

(10) **Patent No.:** **US D780,437 S**

(45) **Date of Patent:** **** Mar. 7, 2017**

(54) **MODULAR MAGAZINE CARRIER**

D455,548 S * 4/2002 Cragg D3/224
D697,711 S * 1/2014 Stevens, IV D3/221
8,733,606 B2 * 5/2014 Felts F42B 39/02
224/245

(71) Applicant: **StealthGearUSA, LLC**, American Fork, UT (US)

* cited by examiner

(72) Inventor: **Paul Laemmlen**, Cedar Hills, UT (US)

Primary Examiner — Catheri Oliver-Garcia

(73) Assignee: **StealthGearUSA, LLC**, American Fork, UT (US)

(74) *Attorney, Agent, or Firm* — The Mueller Law Office, P.C.

(**) Term: **14 Years**

(57) **CLAIM**

(21) Appl. No.: **29/517,298**

The ornamental design for a modular magazine carrier, as shown and described.

(22) Filed: **Feb. 11, 2015**

DESCRIPTION

Related U.S. Application Data

(63) Continuation-in-part of application No. 29/496,143, filed on Jul. 9, 2014, now Pat. No. Des. 749,840.

FIG. 1 is a front perspective view of a modular magazine carrier, showing the new design;

(51) **LOC (10) Cl.** **03-01**

FIG. 2 is a front view of the modular magazine carrier of FIG. 1;

(52) **U.S. Cl.**

FIG. 3 is a rear view of the modular magazine carrier of FIG. 1;

USPC **D3/221**

FIG. 4 is a right side view of the modular magazine carrier of FIG. 1;

(58) **Field of Classification Search**

USPC D3/221, 215, 222–223, 225, 230, 254,

FIG. 5 is a left side view the modular magazine carrier of FIG. 1;

D3/262; 206/38, 39.6; 224/240, 242,

FIG. 6 is a top view the modular magazine carrier of FIG. 1;

224/245, 671, 679–680, 931; D22/108,

FIG. 7 is a bottom view the modular magazine carrier of FIG. 1;

D22/199

FIG. 8 is a front perspective view of the modular magazine carrier of FIG. 1 in a holster; and,

CPC A41D 13/0012; F42B 39/02

FIG. 9 is a front perspective view of a modular magazine carrier of FIG. 1 in a holster having one other modular magazine carrier.

See application file for complete search history.

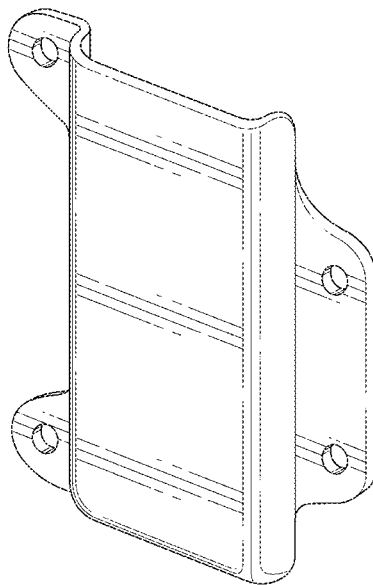
In the drawings, the broken lines depict environmental structures that are for illustrative purposes only and form no part of the claimed design.

(56) **References Cited**

U.S. PATENT DOCUMENTS

D237,611 S * 11/1975 Minneman D3/225
D263,987 S * 4/1982 Milliman D3/225
D284,714 S * 7/1986 Thor D22/199
D286,315 S * 10/1986 Gregory D3/225
D413,644 S * 9/1999 Carver D22/108

1 Claim, 7 Drawing Sheets



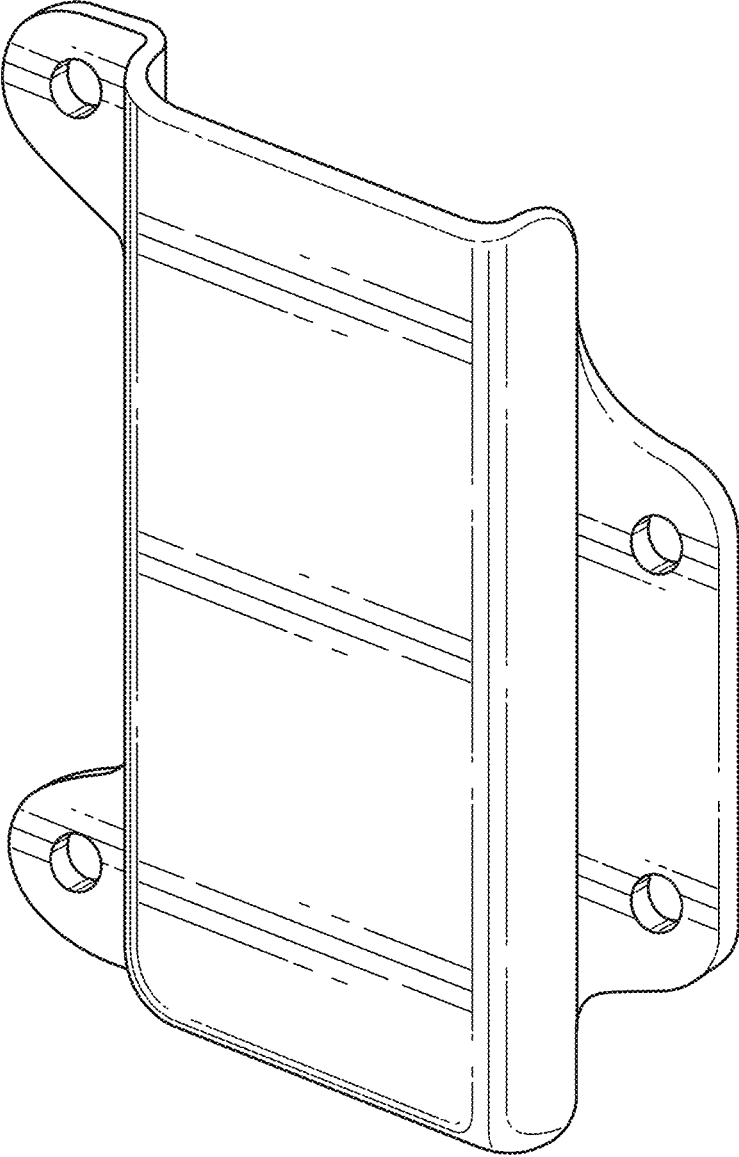


FIG. 1

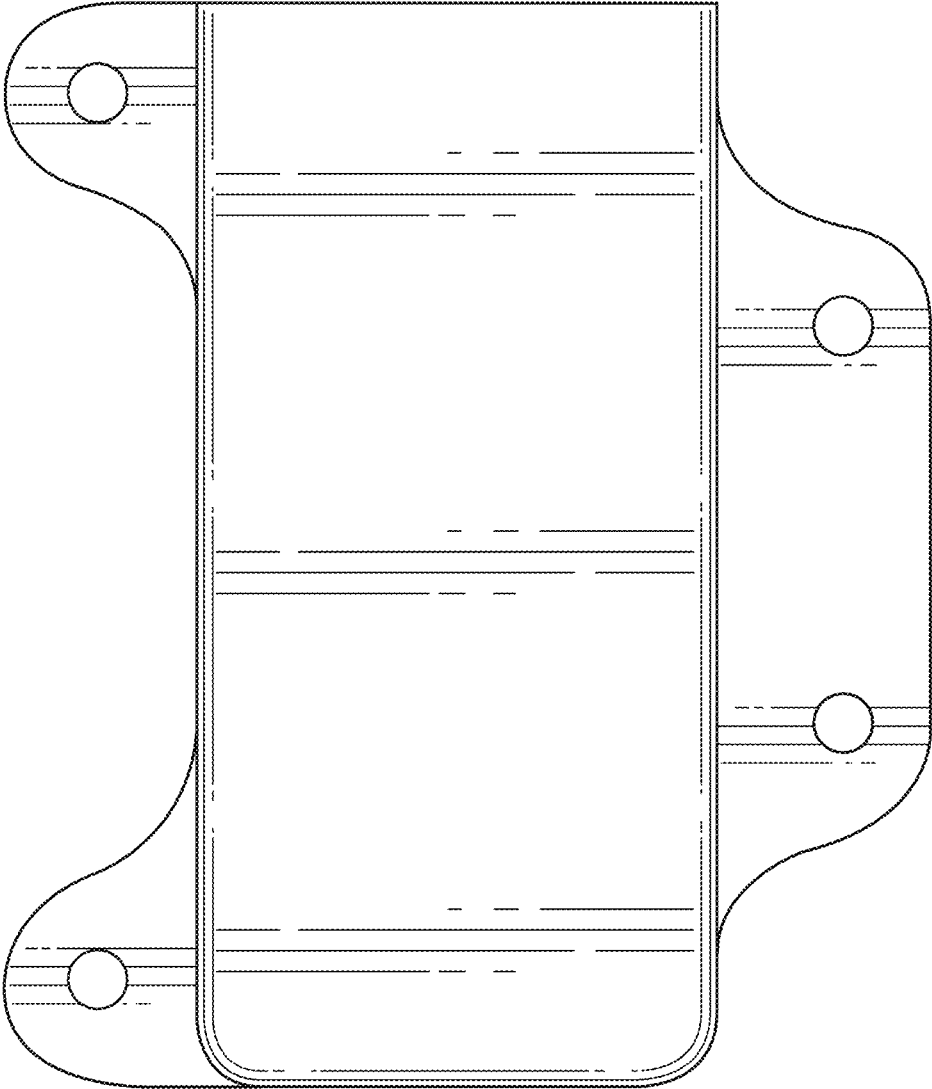


FIG. 2

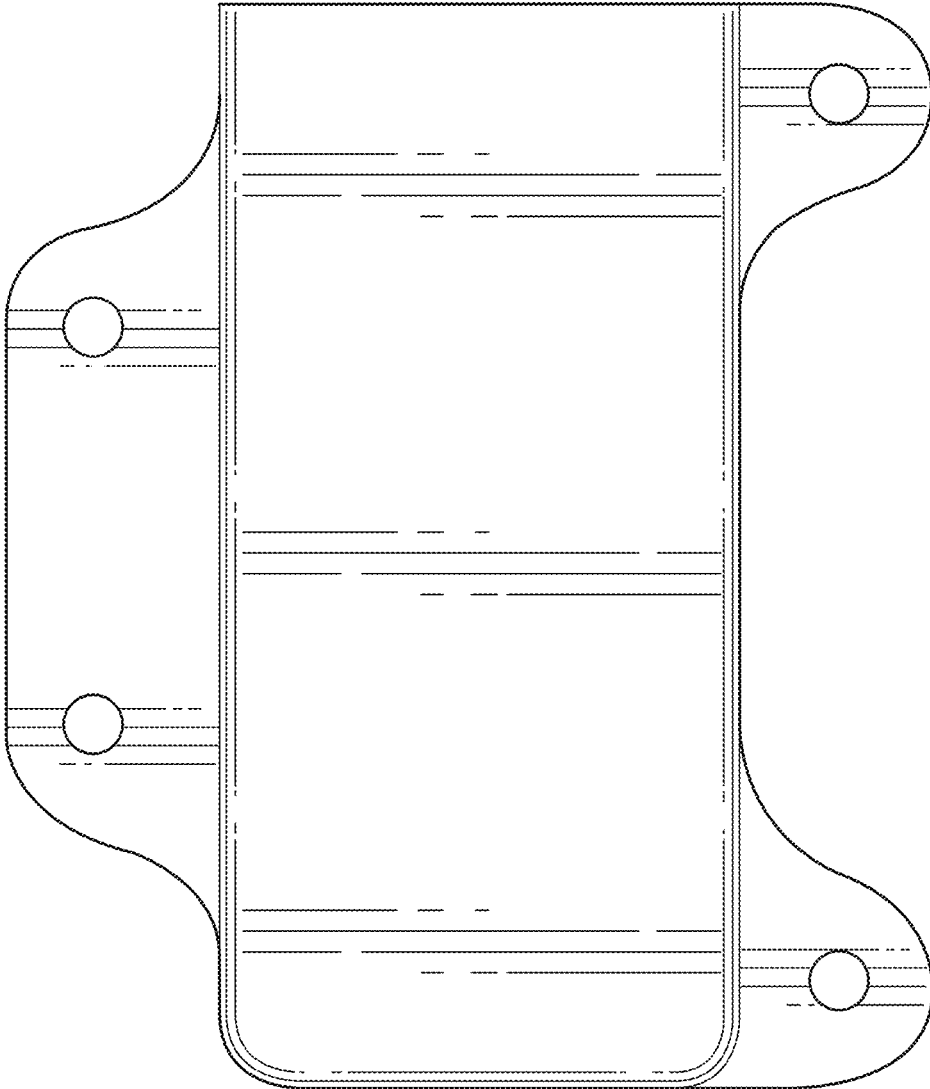


FIG. 3

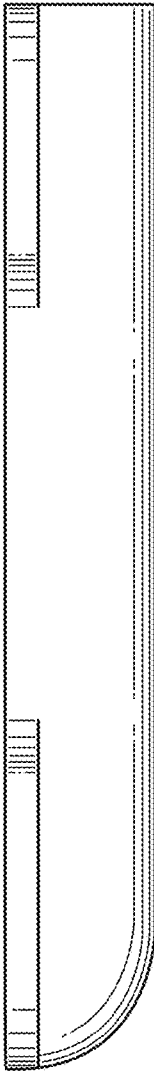


FIG. 4

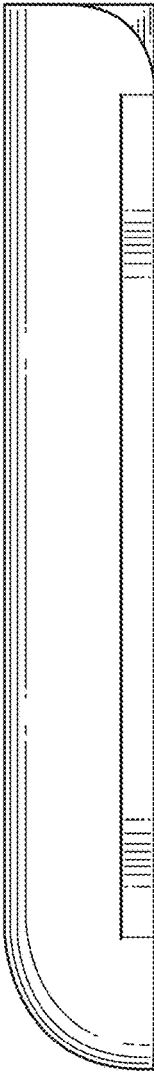


FIG. 5



FIG. 6



FIG. 7

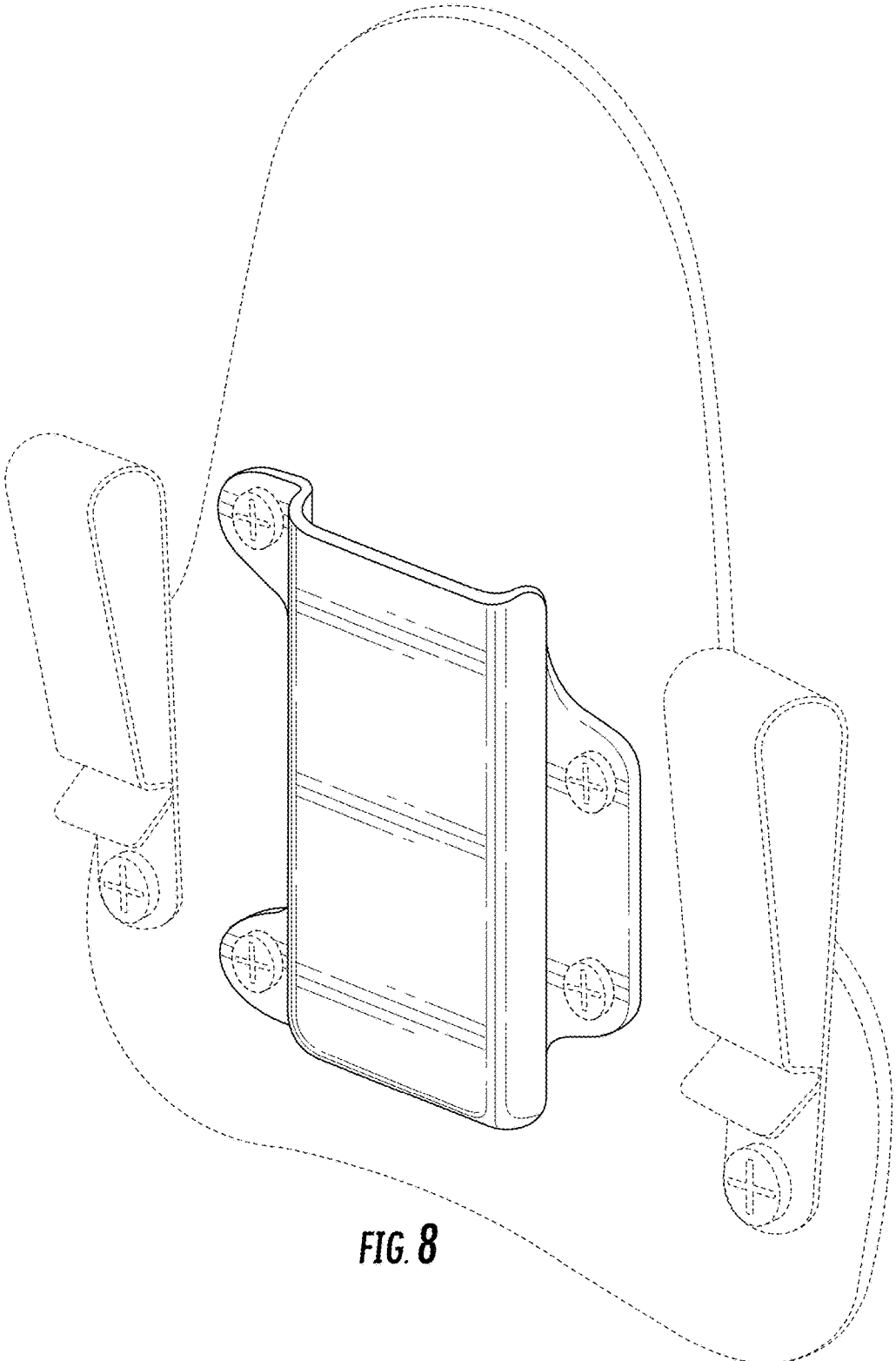


FIG. 8

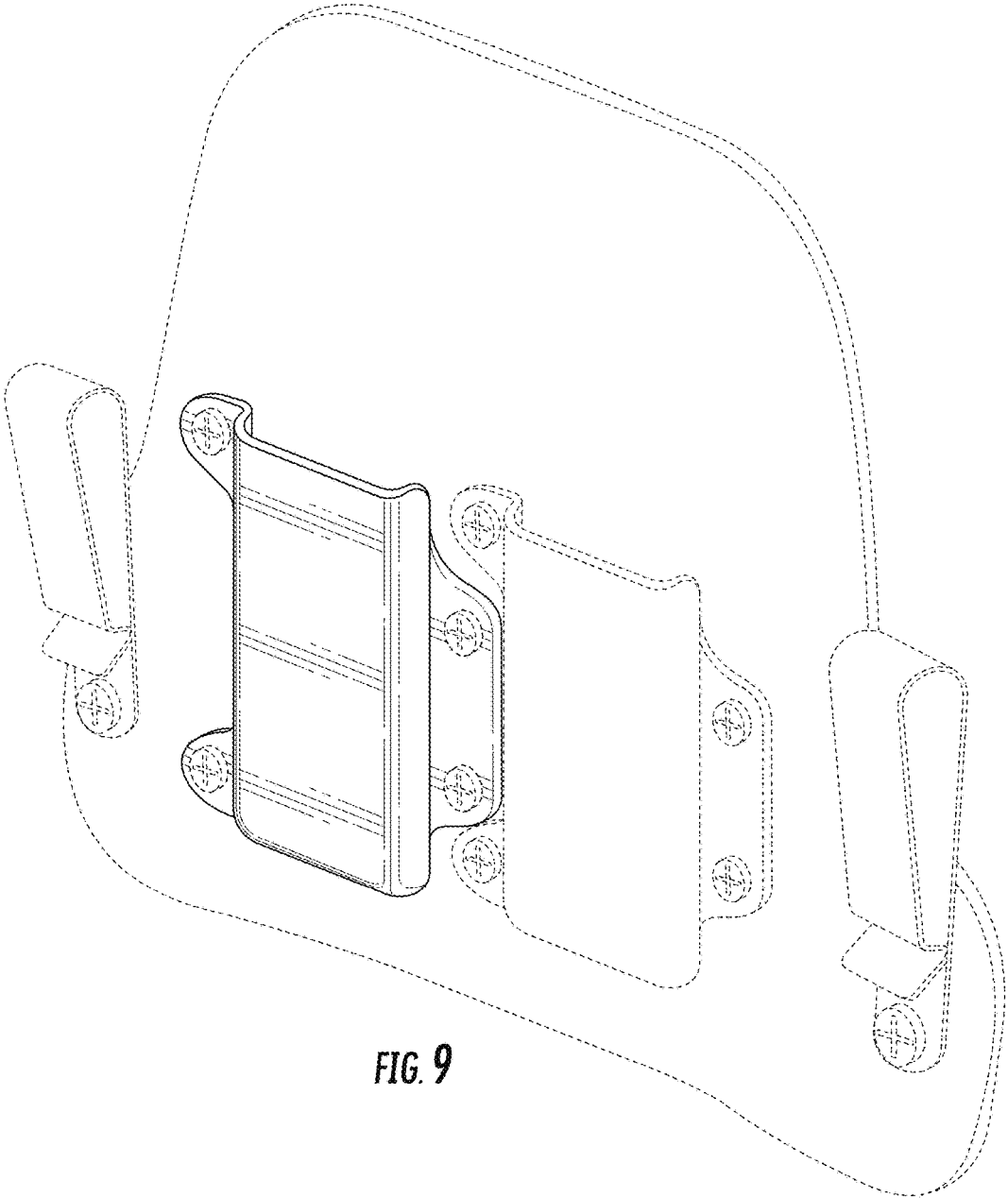


FIG. 9