



US00D994353S

(12) **United States Design Patent**
Liu

(10) **Patent No.:** **US D994,353 S**

(45) **Date of Patent:** **** Aug. 8, 2023**

(54) **COMBINED MIRROR AND WIRELESS CHARGER**

FOREIGN PATENT DOCUMENTS

EM 008562276-0003 * 6/2021

(71) Applicant: **Changwei Liu**, Shenzhen (CN)

(72) Inventor: **Changwei Liu**, Shenzhen (CN)

(**) Term: **15 Years**

(21) Appl. No.: **29/786,682**

(22) Filed: **Jun. 2, 2021**

(51) **LOC (14) Cl.** **06-07**

(52) **U.S. Cl.**
USPC **D6/309**

(58) **Field of Classification Search**
USPC D6/300, 301, 302, 303, 304, 307, 308,
D6/309, 310, 311, 312, 313, 314;
D16/135; D28/64.1-64.7; D13/101, 107,
D13/108, 118
CPC A45D 42/00; A45D 42/10; A45D 42/16;
A45D 42/20; A45D 42/24; A47G 1/00;
A47G 1/02; A47G 1/04; A47G 1/0622;
B60J 3/0282

See application file for complete search history.

(56) **References Cited**

U.S. PATENT DOCUMENTS

D846,288	S	*	4/2019	Yang	D6/309
D879,481	S	*	3/2020	Yang	D6/309
D885,769	S	*	6/2020	Wang	D6/309
D891,123	S	*	7/2020	Li	D6/309
D897,695	S	*	10/2020	Yang	D6/309
D898,386	S	*	10/2020	Huang	D6/309
D902,607	S		11/2020	Liu	
D905,442	S		12/2020	Yang	
D909,770	S	*	2/2021	Li	D6/309
D918,602	S	*	5/2021	Chen	D6/309
D919,984	S	*	5/2021	Yang	D6/312
D935,791	S	*	11/2021	Li	D6/309
D942,158	S	*	2/2022	Li	D6/308
D942,159	S	*	2/2022	Yang	D6/309

OTHER PUBLICATIONS

Wireless Charging LED Vanity Mirror [online], [site visited Mar. 8, 2022]. Available from internet, URL: <<https://soarspaces.com/collections/power/products/wireless-charging-led-vanity-mirror>> (Year: 2022).*

IHome 9" LUX Power Bluetooth Makeup Vanity Mirror with Wireless Charging and USB Charging [online], [site visited Mar. 8, 2022]. Available from internet, URL: <<https://www.amazon.com/iHome-Bluetooth-Wireless-Removable-Magnification/dp/B08545MSCK>> (Year: 2020).*

* cited by examiner

Primary Examiner — George A Bugg
Assistant Examiner — Xavier Marti-Santos

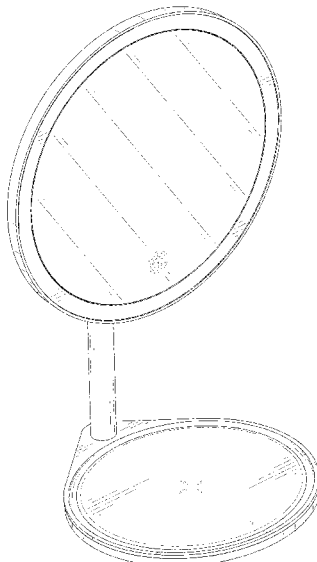
(57) **CLAIM**

The ornamental design for a combined mirror and wireless charger, as shown and described.

DESCRIPTION

FIG. 1 is a perspective view of a combined mirror and wireless charger showing my new design; FIG. 2 is another perspective view thereof; FIG. 3 is a front elevational view thereof; FIG. 4 is a rear elevational view thereof; FIG. 5 is a left side elevational view thereof; FIG. 6 is a right side elevational view thereof; FIG. 7 is a top plan view thereof; and, FIG. 8 is a bottom plan view thereof. The broken lines in the drawings depict portions of the combined mirror and wireless charger that form no part of the claimed design.

1 Claim, 8 Drawing Sheets



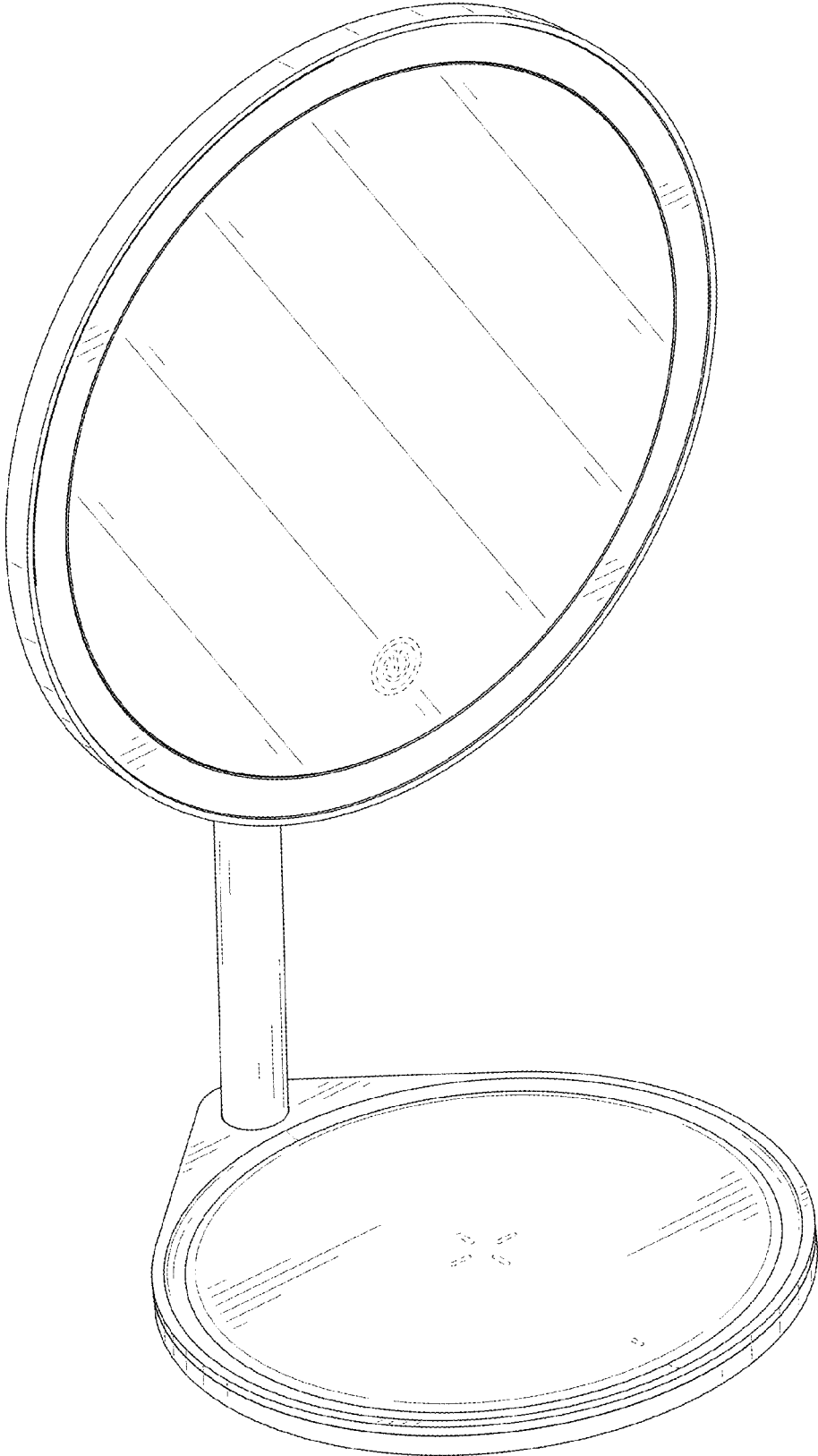


FIG. 1

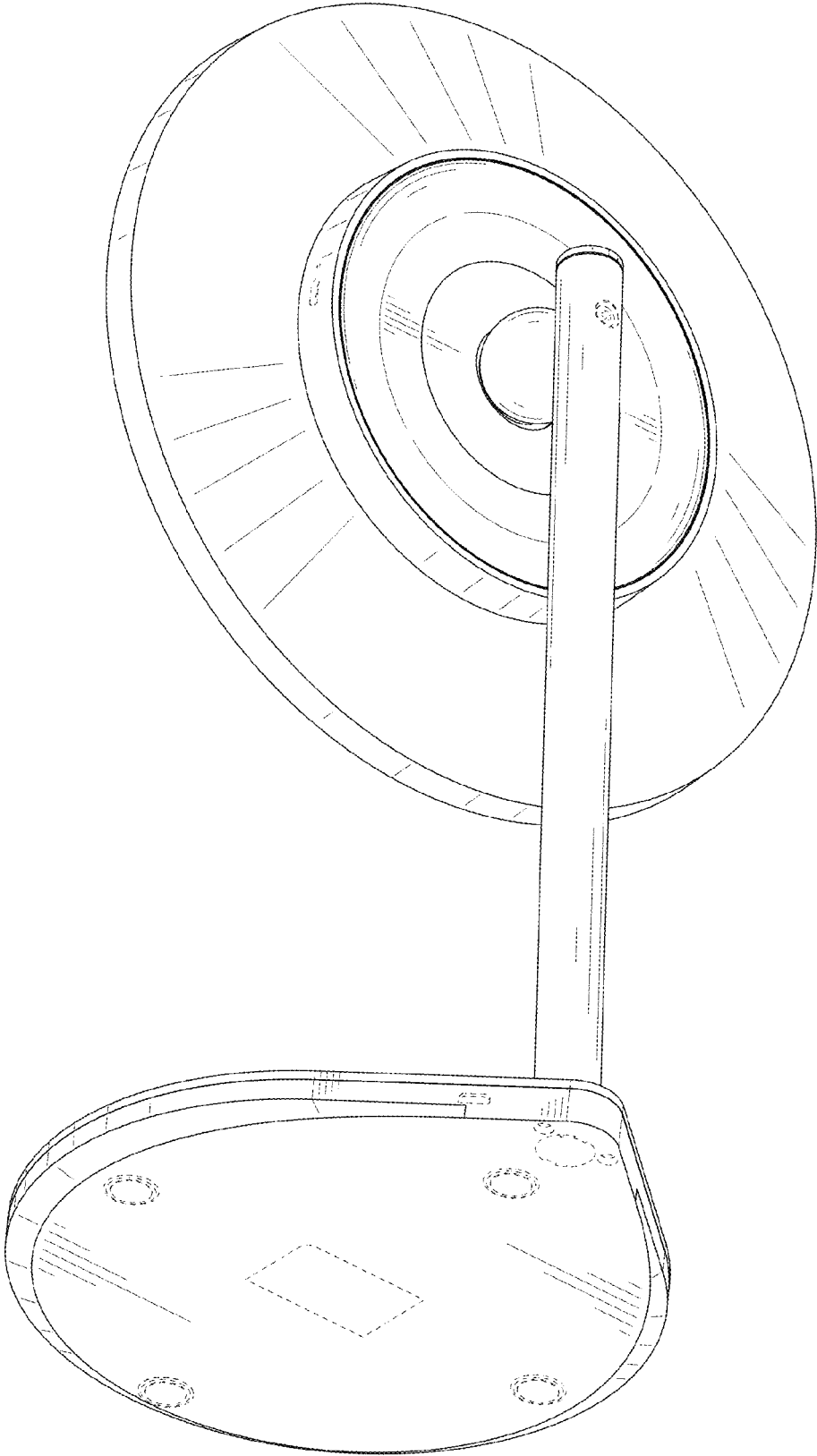


FIG. 2

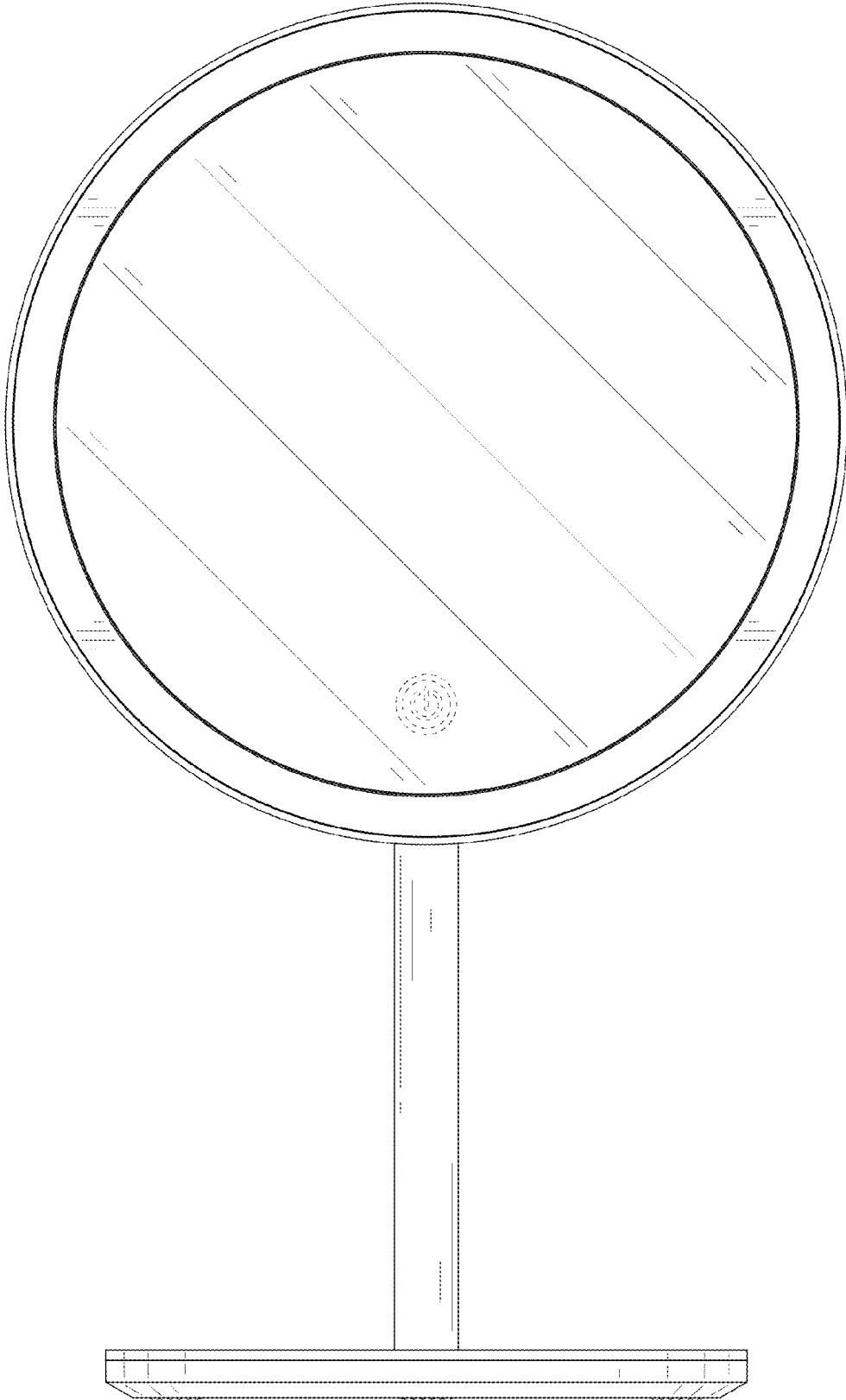


FIG. 3

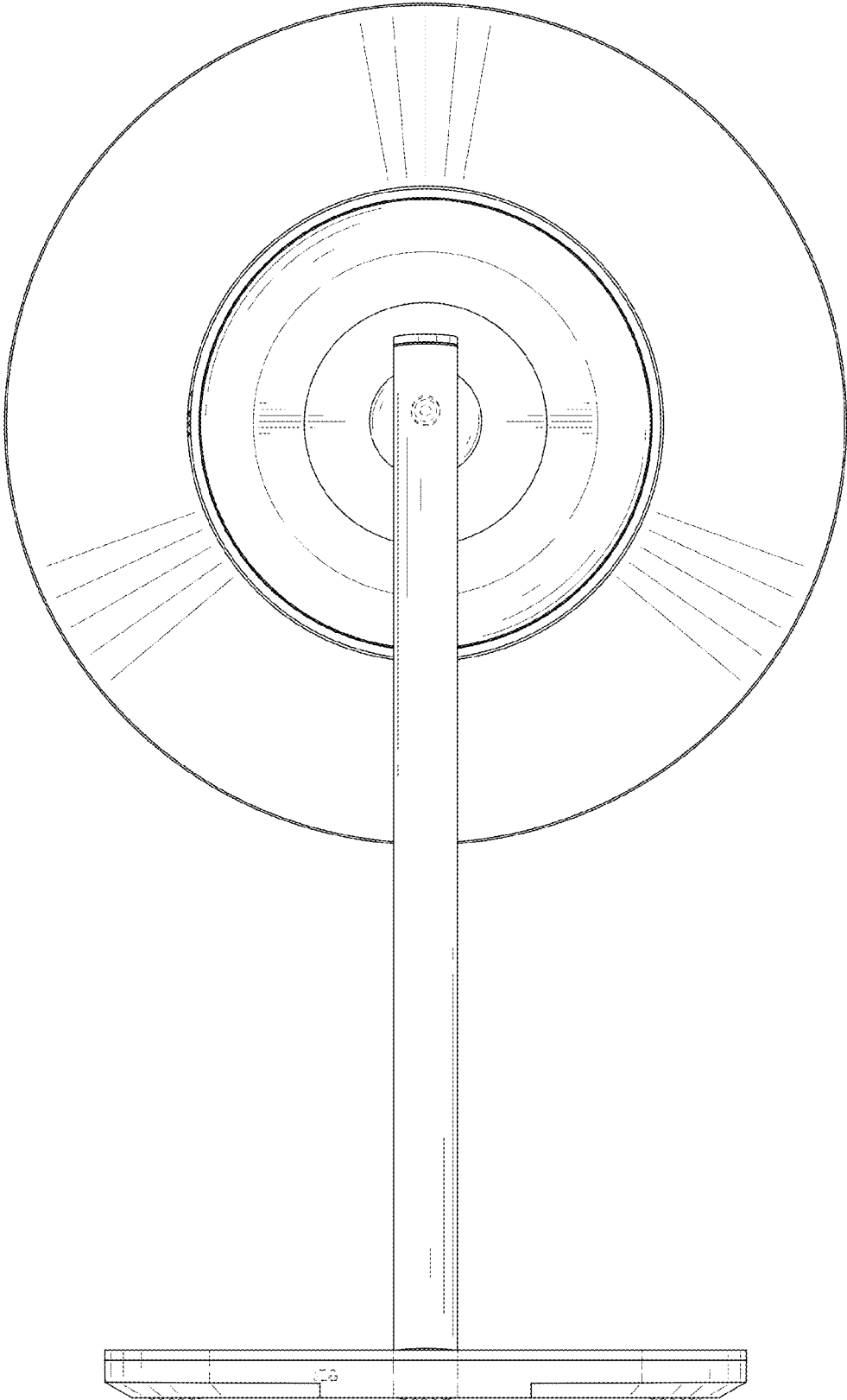


FIG. 4

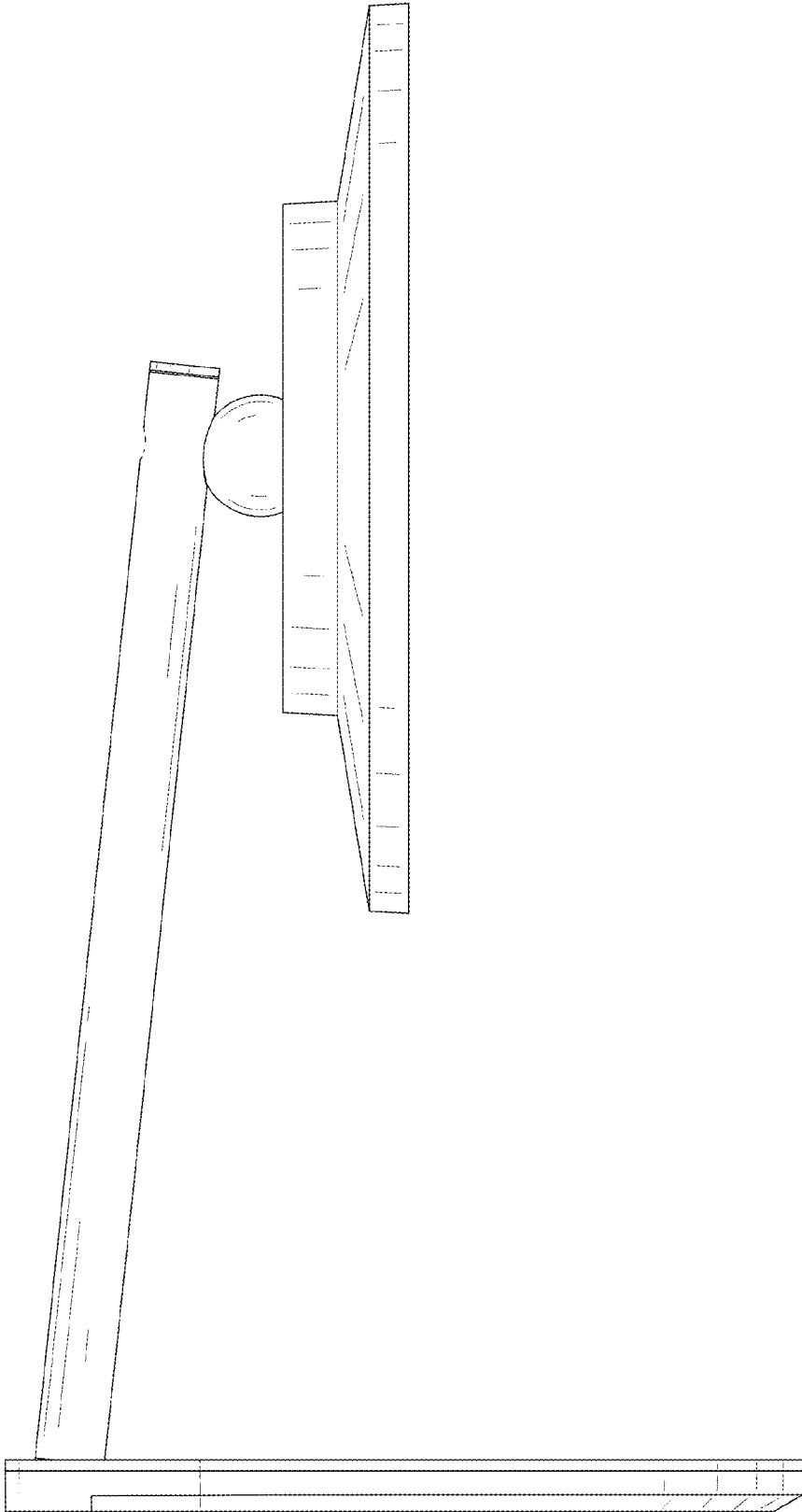


FIG. 5

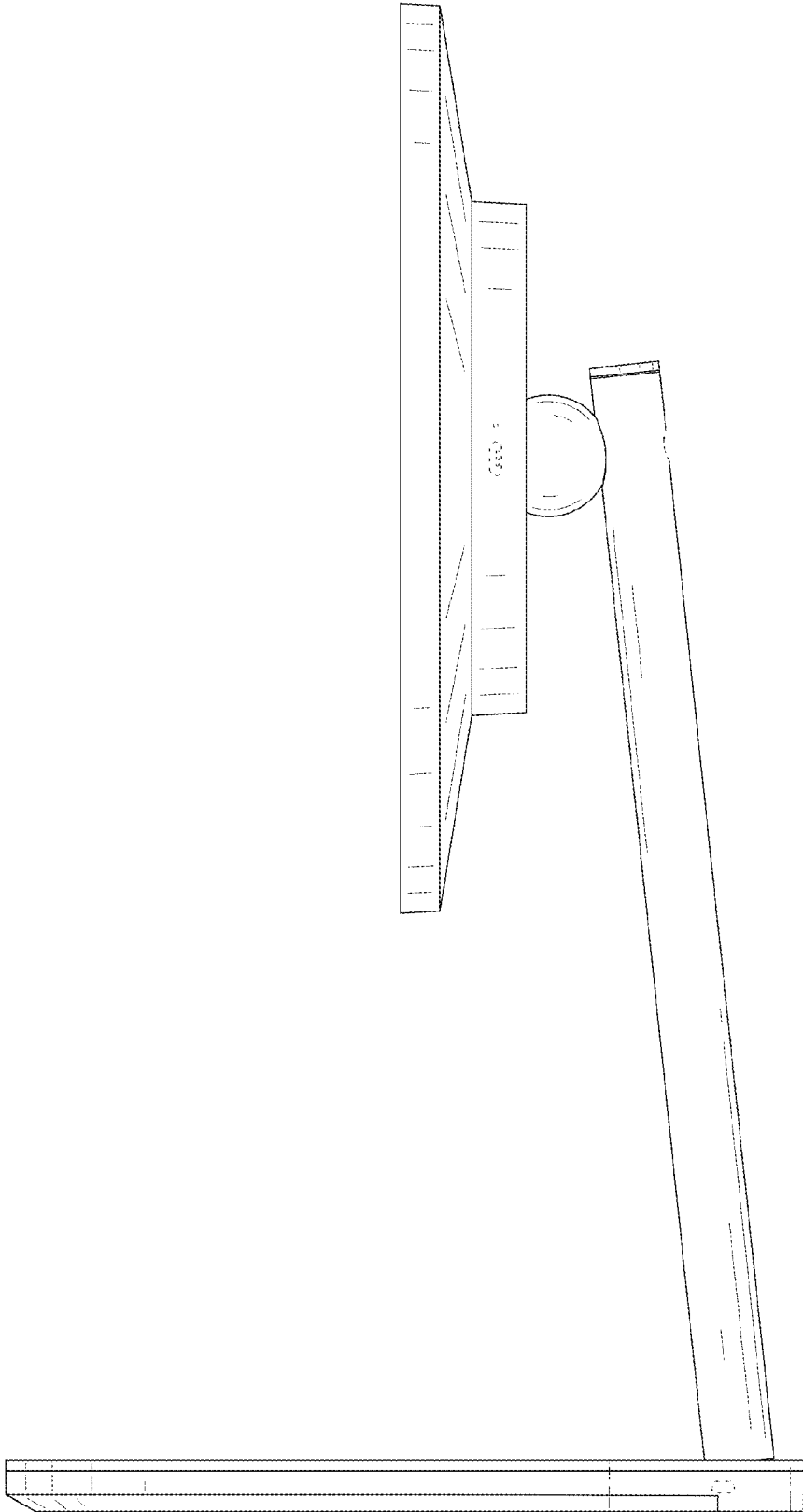


FIG. 6

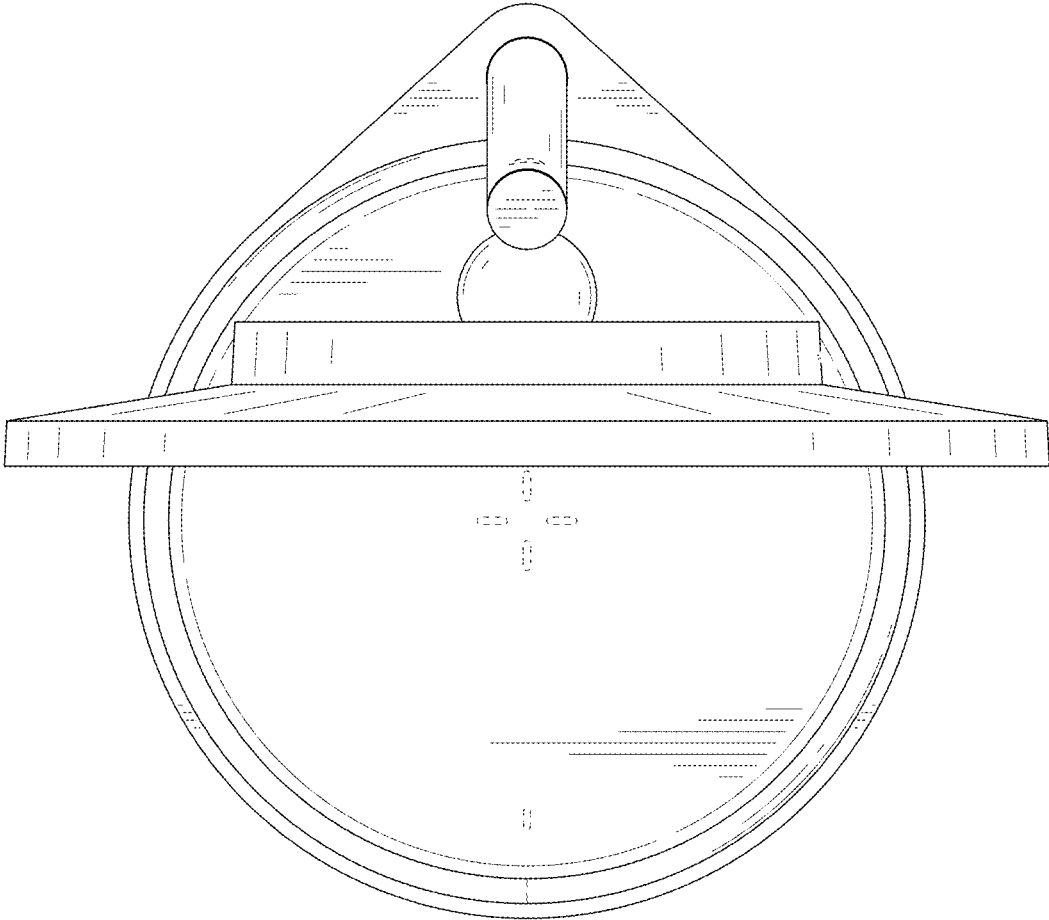


FIG. 7

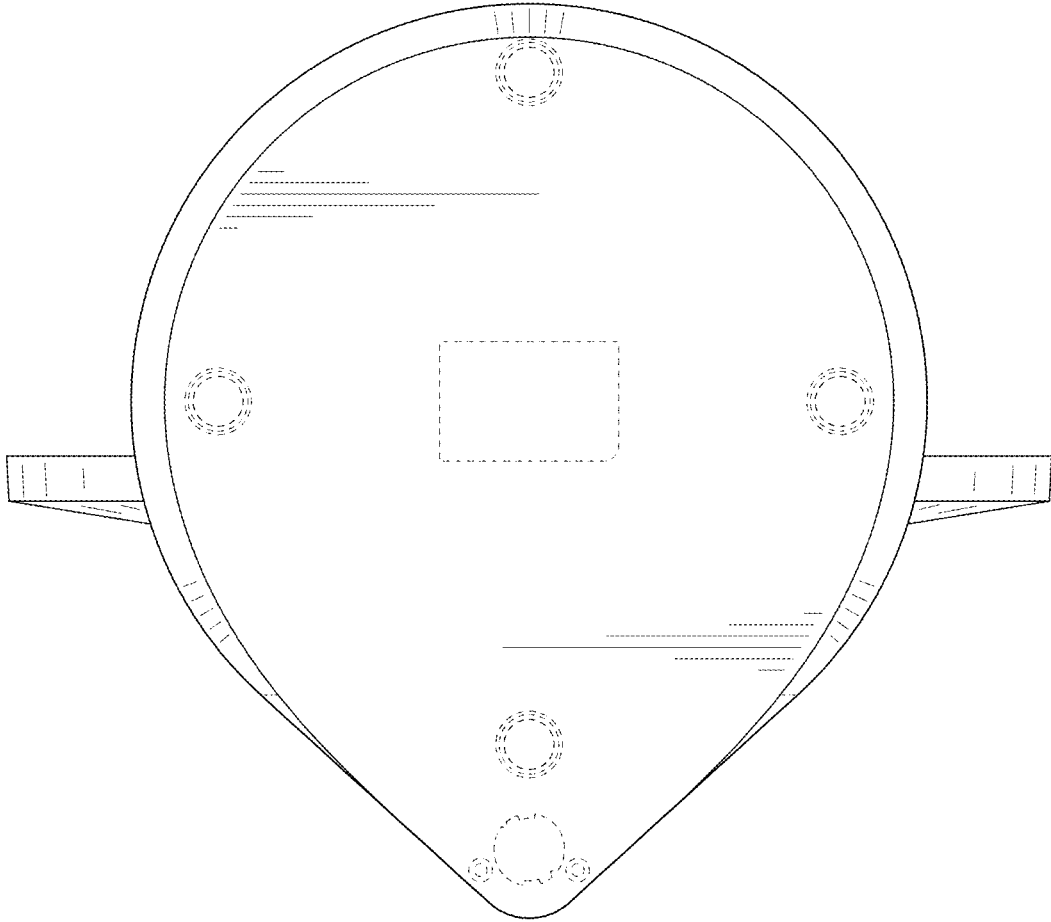


FIG. 8