



US00D486126S

(12) **United States Design Patent** (10) **Patent No.:** **US D486,126 S**  
**Aromin** (45) **Date of Patent:** **\*\* Feb. 3, 2004**

(54) **GFCI WITH FIVE RECEPTACLES**

D371,341 S \* 7/1996 Hung et al. .... D13/137.2

(75) **Inventor:** **Victor V. Aromin**, West Warwick, RI (US)

\* cited by examiner

*Primary Examiner*—Joel Sincavage

(73) **Assignee:** **Tower Manufacturing Corporation**, Providence, RI (US)

(74) *Attorney, Agent, or Firm*—Kriegsman & Kriegsman

(\*\*) **Term:** **14 Years**

(57) **CLAIM**

The ornamental design for a GFCI with five receptacles, as shown and described.

(21) **Appl. No.:** **29/179,045**

**DESCRIPTION**

(22) **Filed:** **Apr. 1, 2003**

(51) **LOC (7) Cl.** ..... **13-03**

FIG. 1 is a front perspective view of a GFCI with five receptacles showing my new design;

(52) **U.S. Cl.** ..... **D13/137.2; D13/137.3**

FIG. 2 is a front view of the GFCI with five receptacles shown in FIG. 1;

(58) **Field of Search** ..... D13/160, 139.3, D13/139.6, 137.2, 137.3; 439/106, 652; 361/42, 45; 335/18

FIG. 3 is a bottom view of the GFCI with five receptacles shown in FIG. 1;

(56) **References Cited**

FIG. 4 is a top view of the GFCI with five receptacles shown in FIG. 1;

**U.S. PATENT DOCUMENTS**

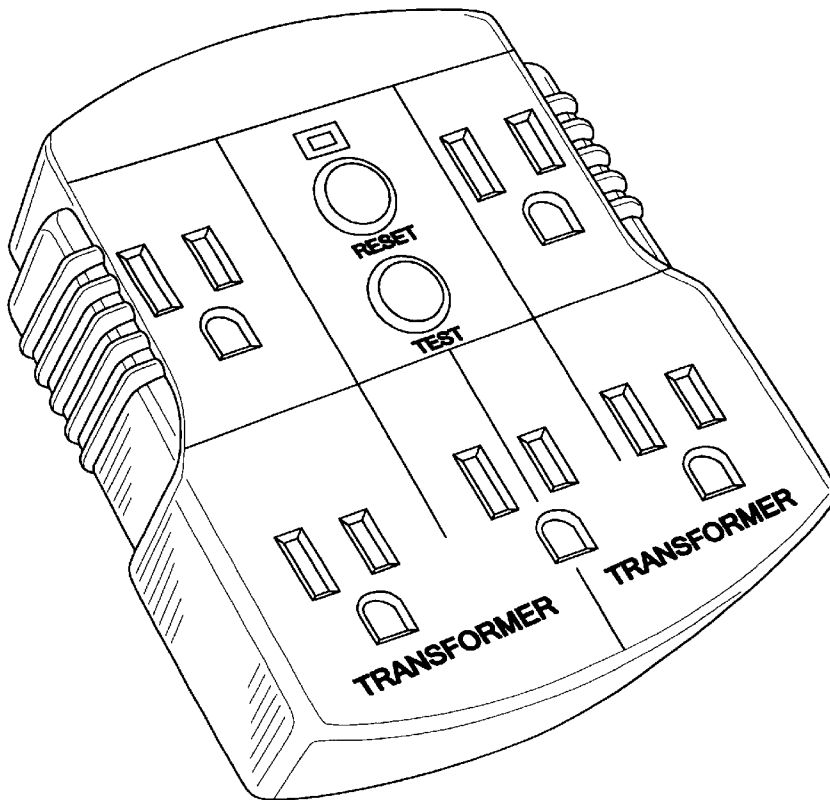
D312,615 S	*	12/1990	Schwartz	.....	D13/137.2
D350,936 S	*	9/1994	Rossman et al.	.....	D13/137.2
D350,937 S	*	9/1994	Rossman et al.	.....	D13/137.2
D357,460 S	*	4/1995	Lovett	.....	D13/139.1
D361,315 S	*	8/1995	Wedell et al.	.....	D13/160
D364,379 S	*	11/1995	Pogue et al.	.....	D13/160

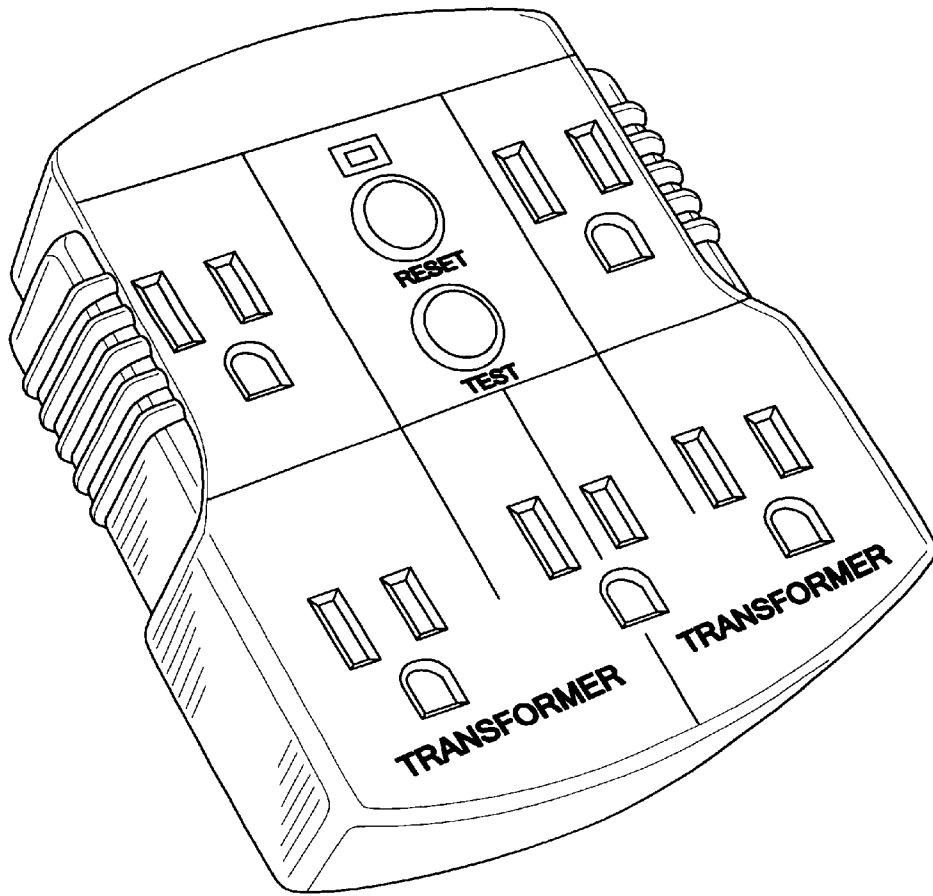
FIG. 5 is a rear view of the GFCI with five receptacles shown in FIG. 1;

FIG. 6 is a left side of the GFCI with five receptacles shown in FIG. 1; and,

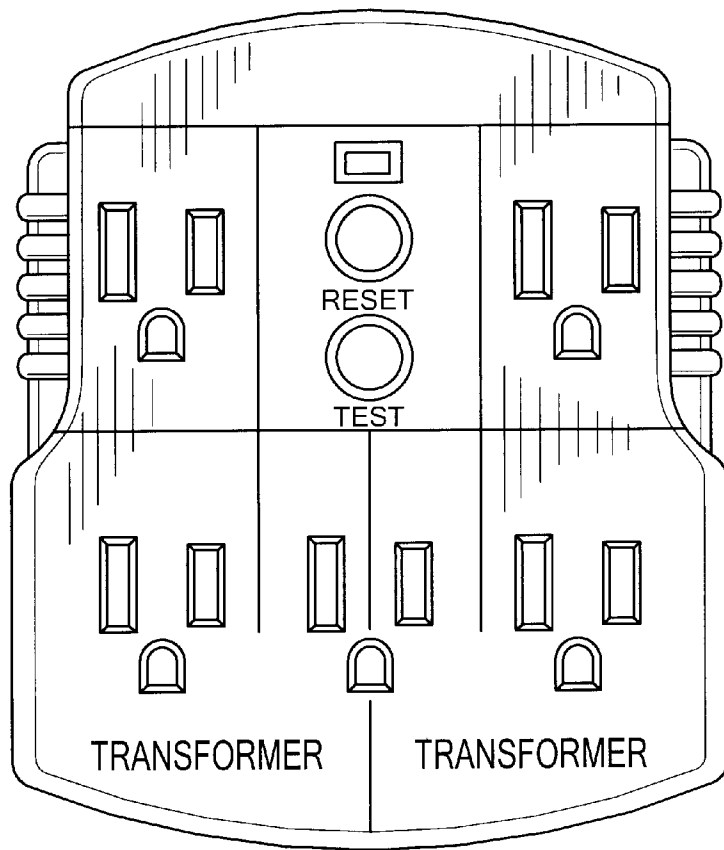
FIG. 7 is a right side view of the GFCI with five receptacles shown in FIG. 1.

**1 Claim, 4 Drawing Sheets**

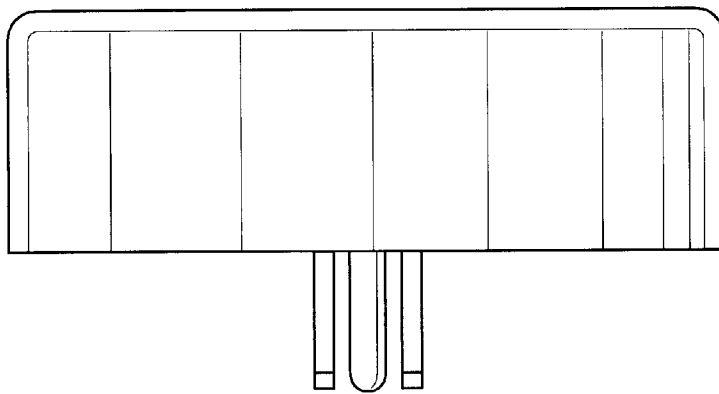




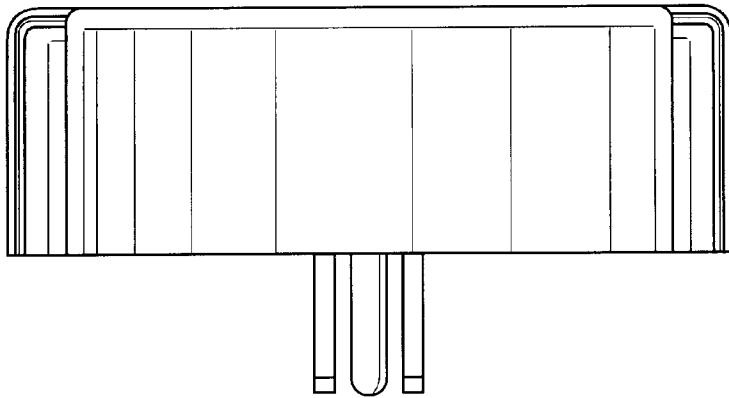
*FIG. 1*



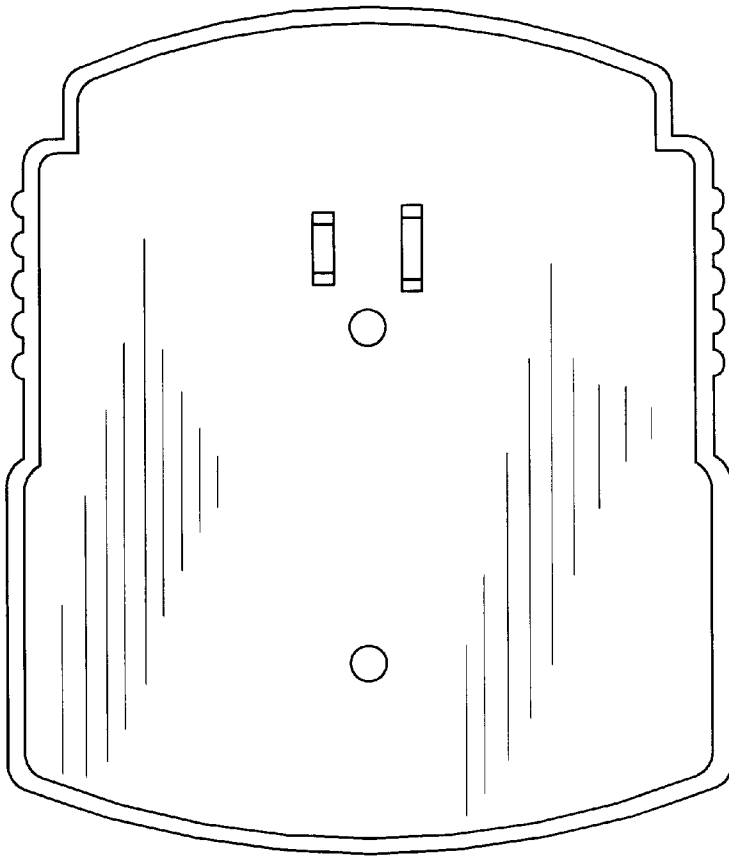
**FIG. 2**



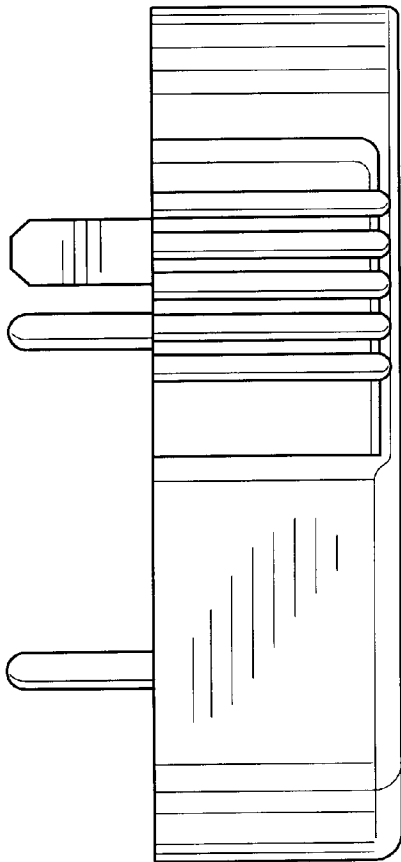
**FIG. 3**



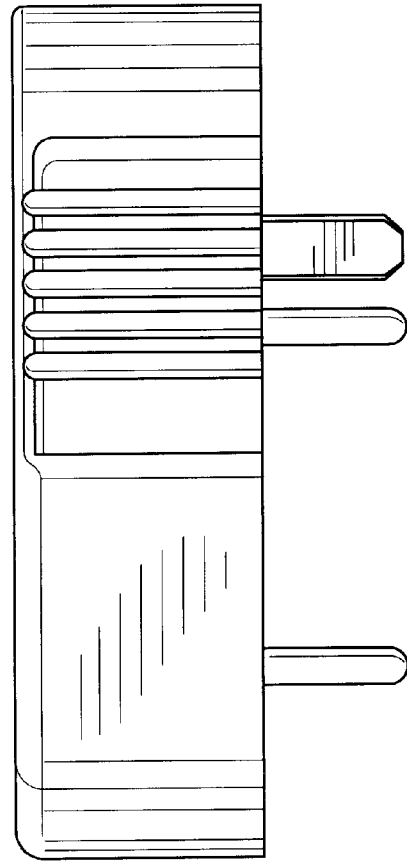
**FIG. 4**



**FIG. 5**



**FIG. 6**



**FIG. 7**