



US0D1036795S

(12) **United States Design Patent**  
**Deng**

(10) **Patent No.:** **US D1,036,795 S**

(45) **Date of Patent:** **\*\* Jul. 23, 2024**

(54) **ANIMAL TREADMILL**

**FOREIGN PATENT DOCUMENTS**

(71) Applicant: **DFZ INC.**, Braintree, MA (US)

CN 308206227 \* 9/2023

CN 308311014 \* 11/2023

(72) Inventor: **Fuzhong Deng**, Braintree, MA (US)

(Continued)

(\*\*) Term: **15 Years**

**OTHER PUBLICATIONS**

(21) Appl. No.: **35/517,307**

PawPaw's Dog Treadmill for Large Dogs, Medium Dogs. Dog Slatmill for Healthy & Fit Dog Life, Dog Treadmill for Indoor & Outdoor. Dog Treadmill for Dogs up to 220 lb; posted Jul. 27, 2022, retrieved Feb. 2, 2024 [online]. URL: <https://www.amazon.com/dp/B0B7KY7WCH?th=1> (Year: 2022).\*

(22) Filed: **Apr. 20, 2023**

(Continued)

(80) **Hague Agreement Data**

Int. Filing Date: **Apr. 20, 2023**

Int. Reg. No.: **DM/228948**

Int. Reg. Date: **Apr. 20, 2023**

Int. Reg. Pub. Date: **May 26, 2023**

*Primary Examiner* — Samantha Wood

*Assistant Examiner* — Emily A Caven

(30) **Foreign Application Priority Data**

(57) **CLAIM**

Apr. 11, 2023 (CN) ..... 202330191714.5

The ornamental design for an animal treadmill, as shown and described.

(51) **LOC (14) Cl.** ..... **30-12**

**DESCRIPTION**

(52) **U.S. Cl.**

USPC ..... **D30/160**

(58) **Field of Classification Search**

USPC ..... D30/156, 160, 199; D21/668, 669;

119/700, 703; 472/48; 482/54

CPC .... A01K 15/02; A01K 15/025; A01K 15/027;

A63B 22/02

See application file for complete search history.

1. Animal treadmill

**1.1** : Front

**1.2** : Back

**1.3** : Left

**1.4** : Right

**1.5** : Top

**1.6** : Bottom

**1.7** : Perspective view 1

**1.8** : Perspective view 2

The product incorporating the design is used for animals to walk and run for exercise; The essential features of the design are it's shape; The drawing or photograph which can best show the essential features of the design is perspective view 1; The solid lines in the figures show portions of the animal treadmill that form part of the claimed design, and the dashed broken lines in the figures show portions of the animal treadmill that form no part of the claimed design.

(56) **References Cited**

**U.S. PATENT DOCUMENTS**

105,055 A \* 7/1870 Duhl ..... F16H 57/082

475/331

736,360 A \* 8/1903 Burgess ..... A01K 15/027

119/700

921,755 A \* 5/1909 Volk ..... A63B 22/02

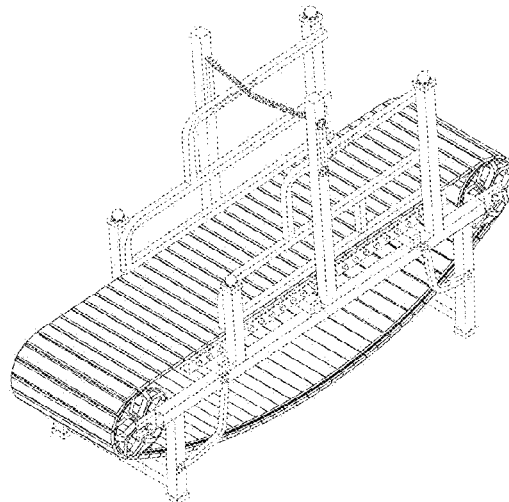
482/54

1,064,968 A \* 6/1913 Hagen ..... A63B 22/02

482/54

(Continued)

**1 Claim, 8 Drawing Sheets**



(56)

**References Cited**

U.S. PATENT DOCUMENTS

1,211,765 A \* 1/1917 Schmidt ..... A63B 22/02  
 482/54  
 D333,887 S \* 3/1993 Dowler ..... D30/160  
 5,277,150 A \* 1/1994 Rhodes ..... A01K 15/027  
 119/700  
 D347,912 S \* 6/1994 Golden ..... D21/669  
 6,609,478 B2 \* 8/2003 Del Valle ..... A01K 15/027  
 119/703  
 2002/0066416 A1 \* 6/2002 Valle ..... A01K 15/027  
 119/703

FOREIGN PATENT DOCUMENTS

CN 308384402 \* 12/2023  
 GB 6333013 \* 12/2023  
 WO WIPO-D228948-001 \* 5/2023

OTHER PUBLICATIONS

Dog Treadmill, Hinxietie Dog Slat Mill for Large/Medium Dogs, Doggy Treadmill Dog Pacer Treadmill, Slat Mill for Dogs to Keep Active and Fit, Up to 250lbs(Large); posted Jul. 27, 2023, retrieved Feb. 2, 2024 [online]. URL: <https://www.amazon.com/dp/B0CCYN5FZY> (Year: 2023).\*

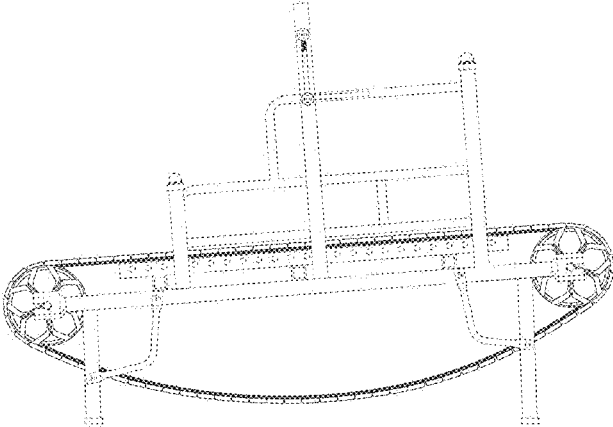
BowWowTread Dog Treadmill for Large/Medium Dogs, Dog Running Machine Exercise Equipment for Large Dog Indoor Home 220lbs; posted Sep. 14, 2023, retrieved Feb. 2, 2024 [online]. URL: <https://www.amazon.com/dp/B0CJ2KWK6Y?th=1> (Year: 2023).\*

The Classic Trotter; posting date unavailable, retrieved Feb. 2, 2024 [online]. URL: <https://dogtrotterusa.net/classic-trotter/> (Year: 2024).\*

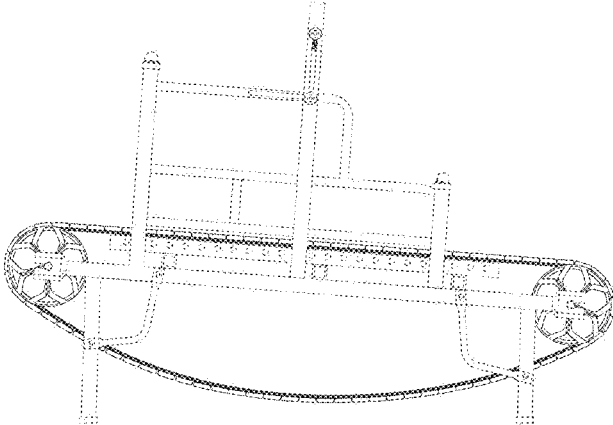
PawPaw's Dog Treadmill For Large Dogs; posting date unavailable, retrieved Feb. 2, 2024 [online]. URL: <https://pawpawsstore.com/products/pawpaws-dog-treadmill-large> (Year: 2024).\*

\* cited by examiner

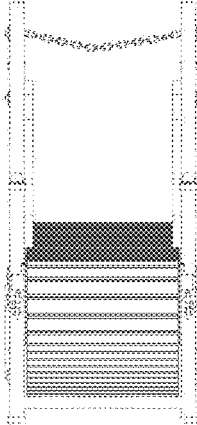
1.1



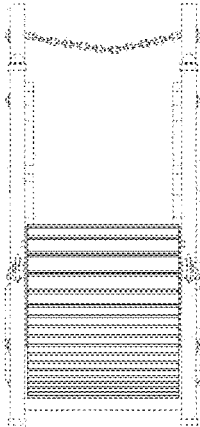
1.2



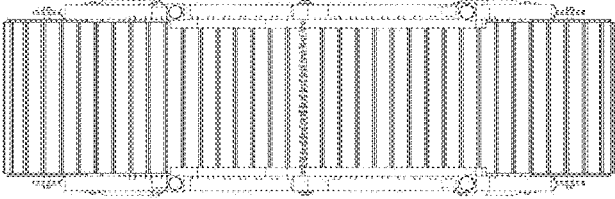
1.3



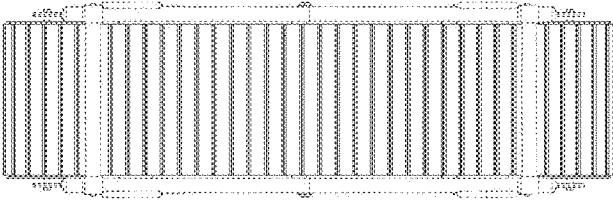
1.4



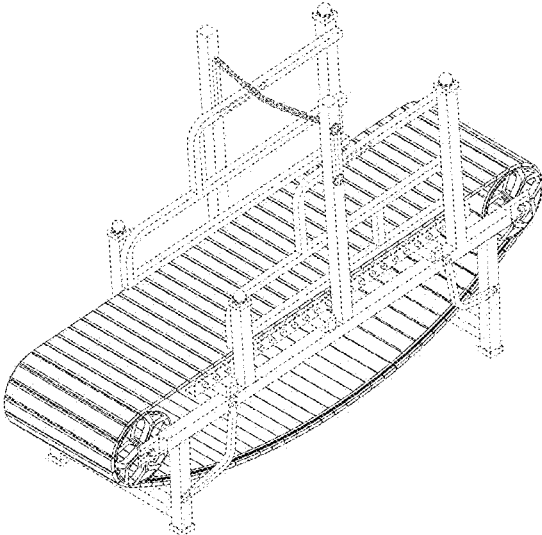
1.5



1.6



1.7



1.8

