

(19) World Intellectual Property Organization
International Bureau



(43) International Publication Date
5 October 2006 (05.10.2006)

PCT

(10) International Publication Number
WO 2006/104774 A3

(51) International Patent Classification:

H04L 1/16 (2006.01) H04L 12/56 (2006.01)
H04L 1/18 (2006.01) H04L 12/50 (2006.01)
H04L 29/08 (2006.01)

(21) International Application Number:

PCT/US2006/010261

(22) International Filing Date: 21 March 2006 (21.03.2006)

(25) Filing Language: English

(26) Publication Language: English

(30) Priority Data:

11/094,430 31 March 2005 (31.03.2005) US

(71) Applicant (for all designated States except US): LUCENT TECHNOLOGIES INC. [US/US]; 600 Mountain Avenue, Murray Hill, New Jersey 07974-0636 (US).

(72) Inventors; and

(75) Inventors/Applicants (for US only): BOSCH, Peter [NL/US]; 53 Madison Avenue, New Providence, New Jersey 07974 (US). MULLENDER, Sape, Jurriën [NL/US]; 10 Greenock Avenue, North Plainfield, NJ 07062 (US).

(74) Agent: YACURA, Gary, D.; LUCENT TECHNOLOGIES INC., Room 3J-219, 101 Crawfords Corner Road, Holmdel, New Jersey 07733 (US).

(81) Designated States (unless otherwise indicated, for every kind of national protection available): AE, AG, AL, AM, AT, AU, AZ, BA, BB, BG, BR, BW, BY, BZ, CA, CH, CN, CO, CR, CU, CZ, DE, DK, DM, DZ, EC, EE, EG, ES, FI, GB, GD, GE, GH, GM, HR, HU, ID, IL, IN, IS, JP, KE, KG, KM, KN, KP, KR, KZ, LC, LK, LR, LS, LT, LU, LV, LY, MA, MD, MG, MK, MN, MW, MX, MZ, NA, NG, NI, NO, NZ, OM, PG, PH, PL, PT, RO, RU, SC, SD, SE, SG, SK, SL, SM, SY, TJ, TM, TN, TR, TT, TZ, UA, UG, US, UZ, VC, VN, YU, ZA, ZM, ZW.

(84) Designated States (unless otherwise indicated, for every kind of regional protection available): ARIPO (BW, GH, GM, KE, LS, MW, MZ, NA, SD, SL, SZ, TZ, UG, ZM, ZW), Eurasian (AM, AZ, BY, KG, KZ, MD, RU, TJ, TM), European (AT, BE, BG, CH, CY, CZ, DE, DK, EE, ES, FI, FR, GB, GR, HU, IE, IS, IT, LT, LU, LV, MC, NL, PL, PT, RO, SE, SI, SK, TR), OAPI (BF, BJ, CF, CG, CI, CM, GA, GN, GQ, GW, ML, MR, NE, SN, TD, TG).

Published:

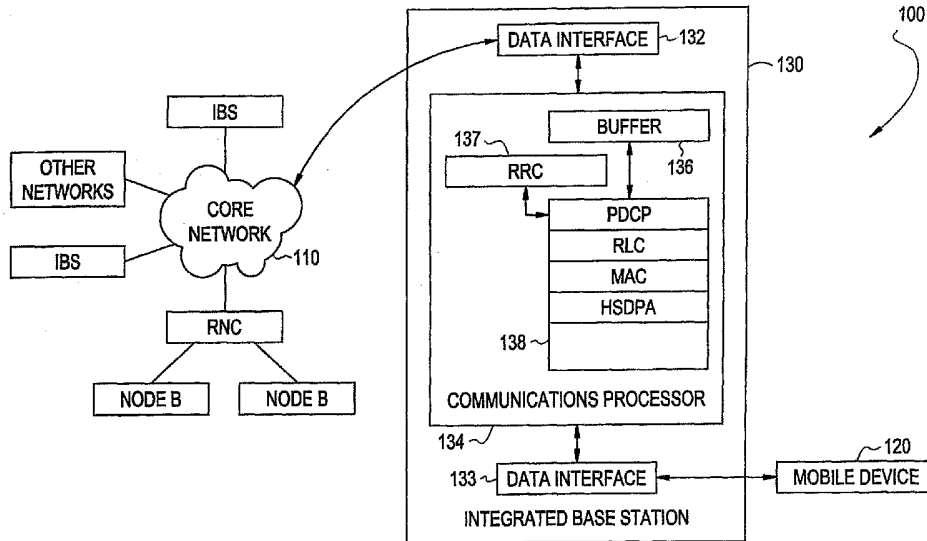
— with international search report

(88) Date of publication of the international search report:

21 December 2006

For two-letter codes and other abbreviations, refer to the "Guidance Notes on Codes and Abbreviations" appearing at the beginning of each regular issue of the PCT Gazette.

(54) Title: METHOD OF TRANSFERRING DATA PACKETS IN A COMMUNICATIONS NETWORK



(57) Abstract: In a method of communication, a first type of data packet is received. The first type of data packet is at least a portion of a second type of data packet. Based on the received first type of data packet, a determination is made as to whether to expect receipt of a subsequent first type of data packet in a given time interval. A status signal is sent if the subsequent first type of data packet is not received in the given time interval as determined in the determining step. In another method of communication, a data packet is received at a physical layer over a circuit switched physical channel. A status of the data packet is determined at the physical layer. A status report is sent to a higher protocol layer based on the determination.

WO 2006/104774 A3

INTERNATIONAL SEARCH REPORT

International application No
PCT/US2006/010261

A. CLASSIFICATION OF SUBJECT MATTER

INV. H04L1/16 H04L1/18 H04L29/08 H04L12/56 H04L12/50

According to International Patent Classification (IPC) or to both national classification and IPC

B. FIELDS SEARCHED

Minimum documentation searched (classification system followed by classification symbols)
H04L

Documentation searched other than minimum documentation to the extent that such documents are included in the fields searched

Electronic data base consulted during the international search (name of data base and, where practical, search terms used)

EPO-Internal, WPI Data, PAJ, INSPEC

C. DOCUMENTS CONSIDERED TO BE RELEVANT

Category*	Citation of document, with indication, where appropriate, of the relevant passages	Relevant to claim No.
X	EP 1 263 160 A (TELEFONAKTIEBOLAGET LM ERICSSON) 4 December 2002 (2002-12-04) abstract paragraph [0002] - paragraph [0007] paragraph [0014] paragraph [0019] - paragraph [0030] paragraph [0043] paragraph [0048] figure 3	1-5
X	EP 1 478 103 A (LUCENT TECHNOLOGIES INC) 17 November 2004 (2004-11-17) paragraph [0013] - paragraph [0019] ----- -/--	1-5

Further documents are listed in the continuation of Box C.

See patent family annex.

* Special categories of cited documents :

- *A* document defining the general state of the art which is not considered to be of particular relevance
- *E* earlier document but published on or after the international filing date
- *L* document which may throw doubts on priority claim(s) or which is cited to establish the publication date of another citation or other special reason (as specified)
- *O* document referring to an oral disclosure, use, exhibition or other means
- *P* document published prior to the international filing date but later than the priority date claimed

- *T* later document published after the international filing date or priority date and not in conflict with the application but cited to understand the principle or theory underlying the invention
- *X* document of particular relevance; the claimed invention cannot be considered novel or cannot be considered to involve an inventive step when the document is taken alone
- *Y* document of particular relevance; the claimed invention cannot be considered to involve an inventive step when the document is combined with one or more other such documents, such combination being obvious to a person skilled in the art.
- *Z* document member of the same patent family

Date of the actual completion of the international search

6 September 2006

Date of mailing of the international search report

14/09/2006

Name and mailing address of the ISA/

European Patent Office, P.B. 5818 Patentlaan 2
NL - 2280 HV Rijswijk
Tel. (+31-70) 340-2040, Tx. 31 651 epo nl,
Fax: (+31-70) 340-3016

Authorized officer

Palacián Lisa, Marta

INTERNATIONAL SEARCH REPORT

International application No
PCT/US2006/010261

C(Continuation). DOCUMENTS CONSIDERED TO BE RELEVANT

Category*	Citation of document, with indication, where appropriate, of the relevant passages	Relevant to claim No.
X	WO 03/047155 A (TELEFONAKTIEBOLAGET L M ERICSSON ; TORSNER, JOHAN; WIGELL, TOOMAS) 5 June 2003 (2003-06-05) page 3, line 3 - line 17 page 4, line 25 - line 27 page 5, line 14 - line 15 page 6, line 12 - page 7, line 25 page 10, line 30 - line 32 page 11, line 18 - line 22 page 13, line 29 - page 14, line 4 page 14, line 29 - page 15, line 7 -----	1-5
X	WO 03/096567 A (INTERDIGITAL TECHNOLOGY CORPORATION) 20 November 2003 (2003-11-20) paragraph [0003] - paragraph [0006] paragraph [0016] paragraph [0029] paragraph [0044] - paragraph [0048] paragraph [0053] -----	1-5
X	US 2003/007480 A1 (KIM SEONG-HUN ET AL) 9 January 2003 (2003-01-09) abstract paragraph [0003] - paragraph [0005] paragraph [0011] - paragraph [0012] paragraph [0015] - paragraph [0021] paragraph [0024] paragraph [0044] -----	6-10
X	"Universal Mobile Telecommunications System (UMTS); Services provided by the physical layer (3GPP TS 25.302 version 6.2.0 Release 6); ETSI TS 125 302" ETSI STANDARDS, EUROPEAN TELECOMMUNICATIONS STANDARDS INSTITUTE, SOPHIA-ANTIPO, FR, vol. 3-R2, no. V620, December 2004 (2004-12), XP014027637 ISSN: 0000-0001 4. Interfaces to the physical layer 5. Services and functions of the physical layer 7.2 Types of Transport Channels 10. Primitives of the physical layer ----- -/--	6-10

INTERNATIONAL SEARCH REPORT

International application No
PCT/US2006/010261

C(Continuation). DOCUMENTS CONSIDERED TO BE RELEVANT

Category*	Citation of document, with indication, where appropriate, of the relevant passages	Relevant to claim No.
X	WO 2005/022814 A (QUALCOMM INCORPORATED; VAYANOS, ALKINOOS, HECTOR; GRILLI, FRANCESCO) 10 March 2005 (2005-03-10) paragraph [0041] - paragraph [0042] paragraph [0075] - paragraph [0079] paragraph [0089] paragraph [0091] paragraph [0094] - paragraph [0096] paragraph [0102] - paragraph [0103] paragraph [0107] paragraph [0112]	6-10
X	----- WO 02/096006 A (NOKIA CORPORATION; NOKIA INC) 28 November 2002 (2002-11-28) page 1, line 9 - line 19 page 2, line 6 - line 7 page 6, line 21 - page 7, line 30 page 9, line 32 - page 13, line 31 page 22, line 23 - line 30 -----	6-10

INTERNATIONAL SEARCH REPORT

International application No.
PCT/US2006/010261

Box II Observations where certain claims were found unsearchable (Continuation of item 2 of first sheet)

This International Search Report has not been established in respect of certain claims under Article 17(2)(a) for the following reasons:

1. Claims Nos.:
because they relate to subject matter not required to be searched by this Authority, namely:

2. Claims Nos.:
because they relate to parts of the International Application that do not comply with the prescribed requirements to such an extent that no meaningful International Search can be carried out, specifically:

3. Claims Nos.:
because they are dependent claims and are not drafted in accordance with the second and third sentences of Rule 6.4(a).

Box III Observations where unity of invention is lacking (Continuation of item 3 of first sheet)

This International Searching Authority found multiple inventions in this international application, as follows:

see additional sheet

1. As all required additional search fees were timely paid by the applicant, this International Search Report covers all searchable claims.

2. As all searchable claims could be searched without effort justifying an additional fee, this Authority did not invite payment of any additional fee.

3. As only some of the required additional search fees were timely paid by the applicant, this International Search Report covers only those claims for which fees were paid, specifically claims Nos.:

4. No required additional search fees were timely paid by the applicant. Consequently, this International Search Report is restricted to the invention first mentioned in the claims; it is covered by claims Nos.:

Remark on Protest

- The additional search fees were accompanied by the applicant's protest.
- No protest accompanied the payment of additional search fees.

FURTHER INFORMATION CONTINUED FROM PCT/ISA/ 210

This International Searching Authority found multiple (groups of) inventions in this international application, as follows:

1. claims: 1-5

Method of determining and sending a status signal if an expected subsequent packet is not received in a given time interval.

2. claims: 6-10

Methods of receiving a packet over a circuit switched channel and sending a status report to a radio link control layer based on the status of the packet.

INTERNATIONAL SEARCH REPORT

Information on patent family members

International application No

PCT/US2006/010261

Patent document cited in search report		Publication date	Patent family member(s)	Publication date
EP 1263160	A	04-12-2002	WO 02100030 A1	12-12-2002
			US 2004148396 A1	29-07-2004
EP 1478103	A	17-11-2004	JP 2004343769 A	02-12-2004
			US 2004229639 A1	18-11-2004
WO 03047155	A	05-06-2003	AU 2002353738 A1	10-06-2003
			EP 1461889 A1	29-09-2004
			JP 2005510950 T	21-04-2005
			US 2005039101 A1	17-02-2005
WO 03096567	A	20-11-2003	AU 2003228926 A1	11-11-2003
			EP 1550235 A1	06-07-2005
US 2003007480	A1	09-01-2003	KR 2002095125 A	20-12-2002
WO 2005022814	A	10-03-2005	CA 2539399 A1	10-03-2005
			EP 1661285 A1	31-05-2006
			MX PA06001970 A	31-05-2006
			US 2005147040 A1	07-07-2005
WO 02096006	A	28-11-2002	BR 0209809 A	01-06-2004
			CA 2446700 A1	28-11-2002
			CN 1524364 A	25-08-2004
			EP 1388234 A2	11-02-2004
			JP 3746271 B2	15-02-2006
			JP 2004527979 T	09-09-2004
			ZA 200308486 A	01-07-2004