



US00D754282S

(12) **United States Design Patent**  
**Blum**

(10) **Patent No.:** **US D754,282 S**

(45) **Date of Patent:** **\*\* Apr. 19, 2016**

(54) **FLOW REGULATOR**

(71) Applicant: **Neoperl GmbH**, Mullheim (DE)

(72) Inventor: **Gerhard Blum**, Gutach (DE)

(73) Assignee: **Neoperl GmbH**, Müllheim (DE)

(\*\*) Term: **14 Years**

(21) Appl. No.: **29/493,357**

(22) Filed: **Jun. 9, 2014**

**Related U.S. Application Data**

(62) Division of application No. 29/460,842, filed on Jul. 16, 2013, now Pat. No. Des. 709,593, which is a division of application No. 29/392,775, filed on May 26, 2011, now Pat. No. Des. 690,797.

(30) **Foreign Application Priority Data**

Mar. 9, 2011 (EP) ..... 001264501

(51) **LOC (10) CL.** ..... **23-01**

(52) **U.S. CL.**  
USPC ..... **D23/213; D23/249**

(58) **Field of Classification Search**  
USPC ..... **D23/213, 249; 239/428.5, 437;**  
**261/DIG. 22**

See application file for complete search history.

(56) **References Cited**

U.S. PATENT DOCUMENTS

D536,417 S 2/2007 Buttgen  
D537,916 S 3/2007 Buttgen  
D577,416 S 9/2008 Buttgen

*Primary Examiner* — Robin V Webster

(74) *Attorney, Agent, or Firm* — Volpe and Koenig, P.C.

(57) **CLAIM**

The design for a flow regulator, as shown and described.

**DESCRIPTION**

FIG. 1 is a top, front, right perspective view of a first embodiment of a flow regulator in accordance with my design;

FIG. 2 is a top plan view thereof;

FIG. 3 is a bottom, front perspective view thereof;

FIG. 4 is a bottom view thereof; and

FIG. 5 is an elevational view thereof;

FIG. 6 is a top, front, right perspective view of a second embodiment of a flow regulator in accordance with my design;

FIG. 7 is a top plan view thereof;

FIG. 8 is a bottom, front perspective view thereof;

FIG. 9 is a bottom view thereof; and

FIG. 10 is an elevational view thereof;

FIG. 11 is a top, front, right perspective view of a third embodiment of a flow regulator in accordance with my design;

FIG. 12 is a top plan view thereof;

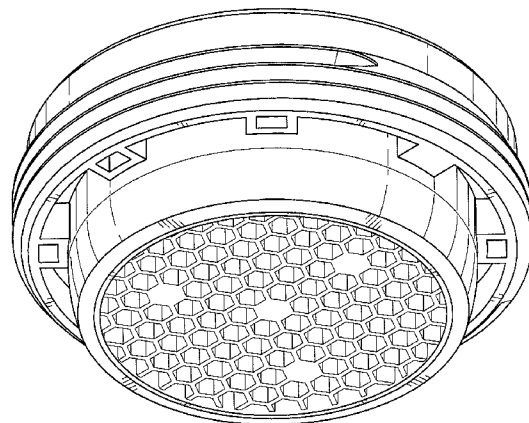
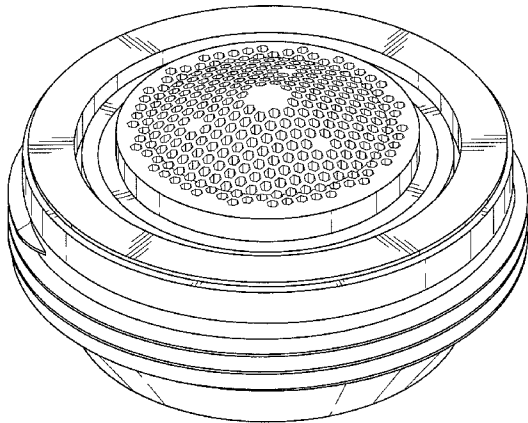
FIG. 13 is a bottom, front perspective view thereof;

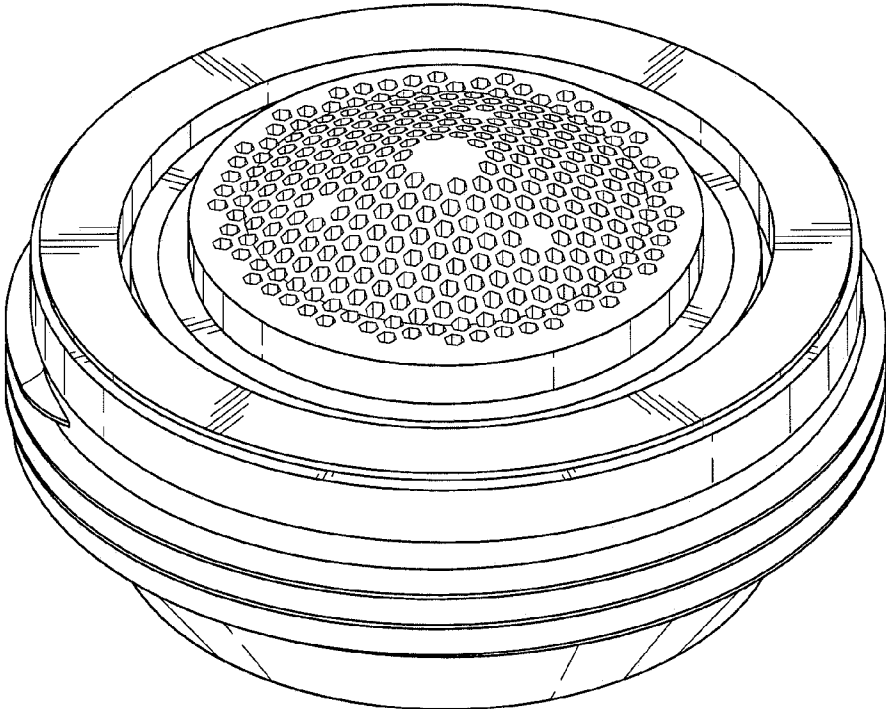
FIG. 14 is a bottom view thereof; and,

FIG. 15 is an elevational view thereof.

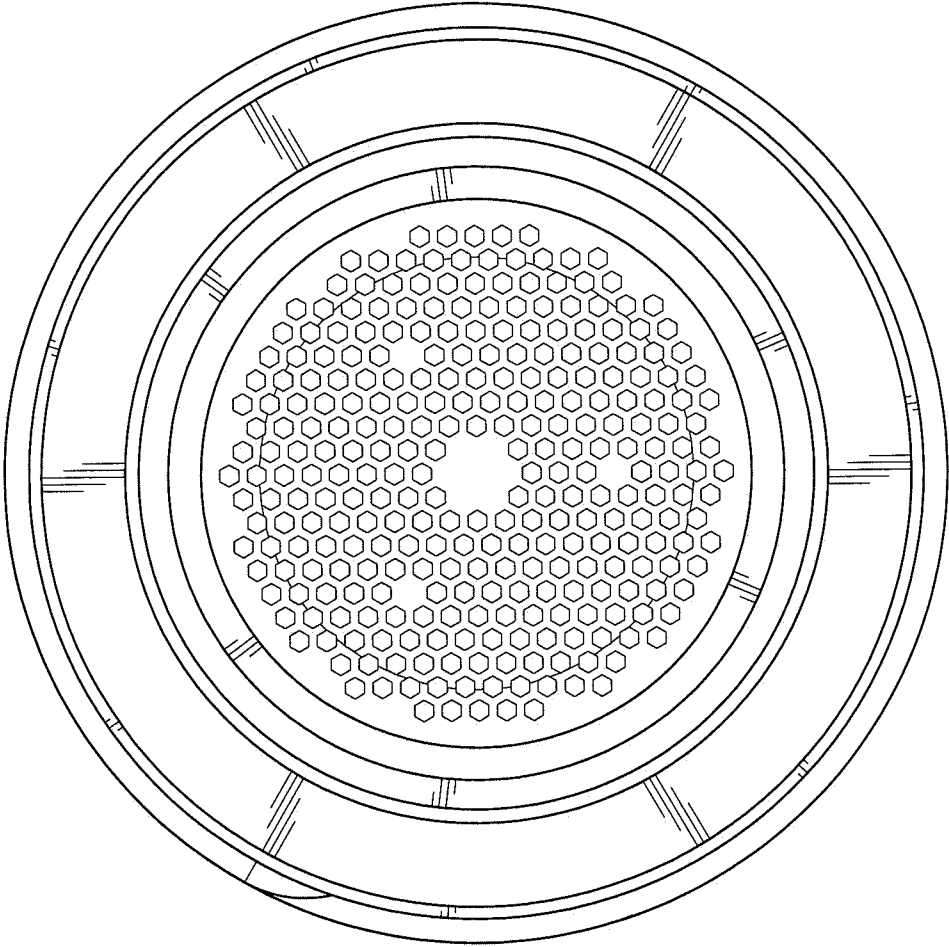
The broken lines shown form no part of the claimed design.

**1 Claim, 15 Drawing Sheets**

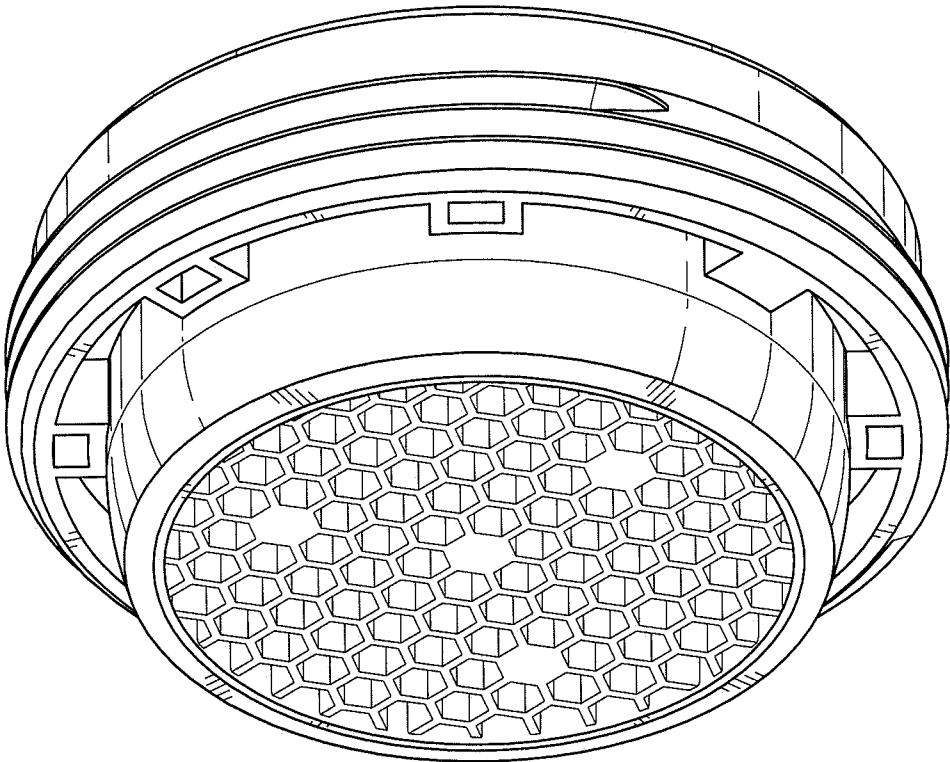




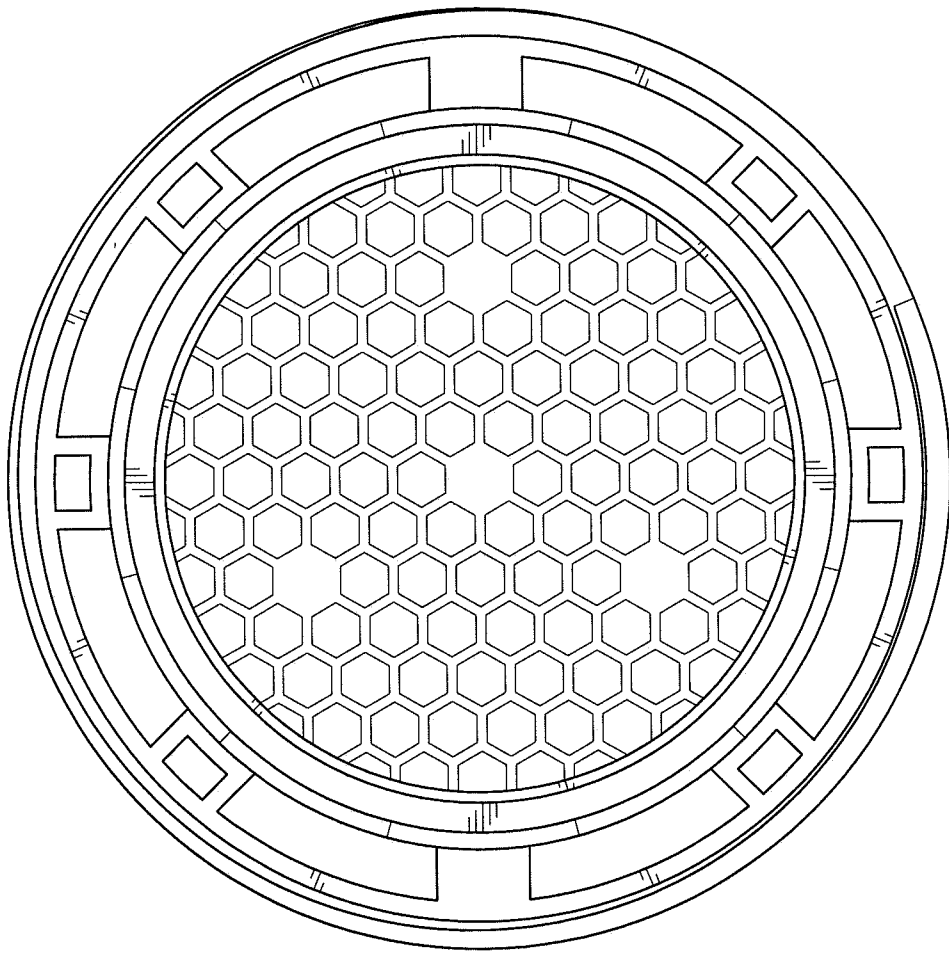
**Fig. 1**



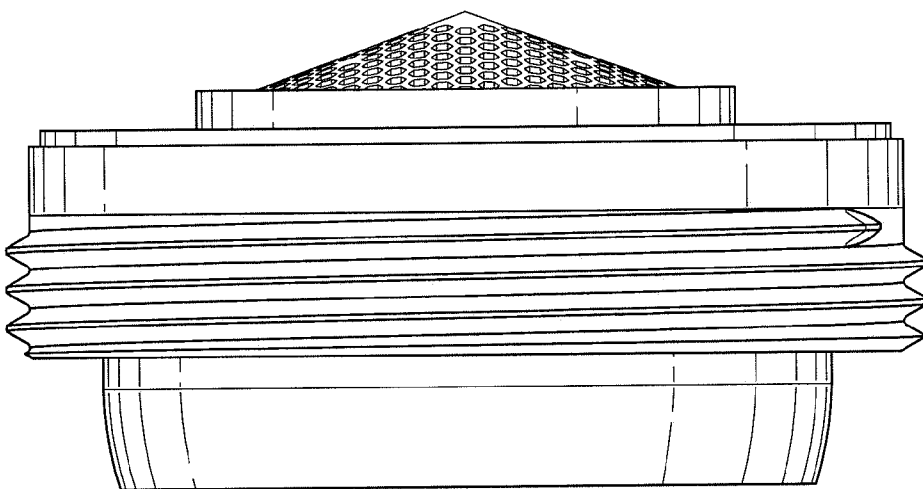
**Fig. 2**



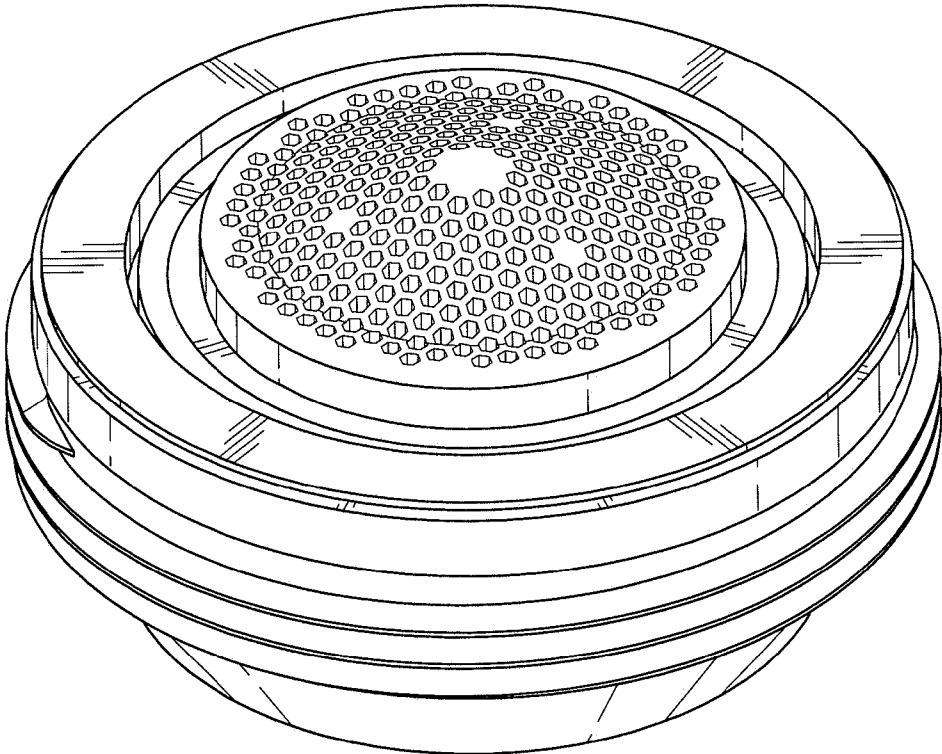
**Fig. 3**



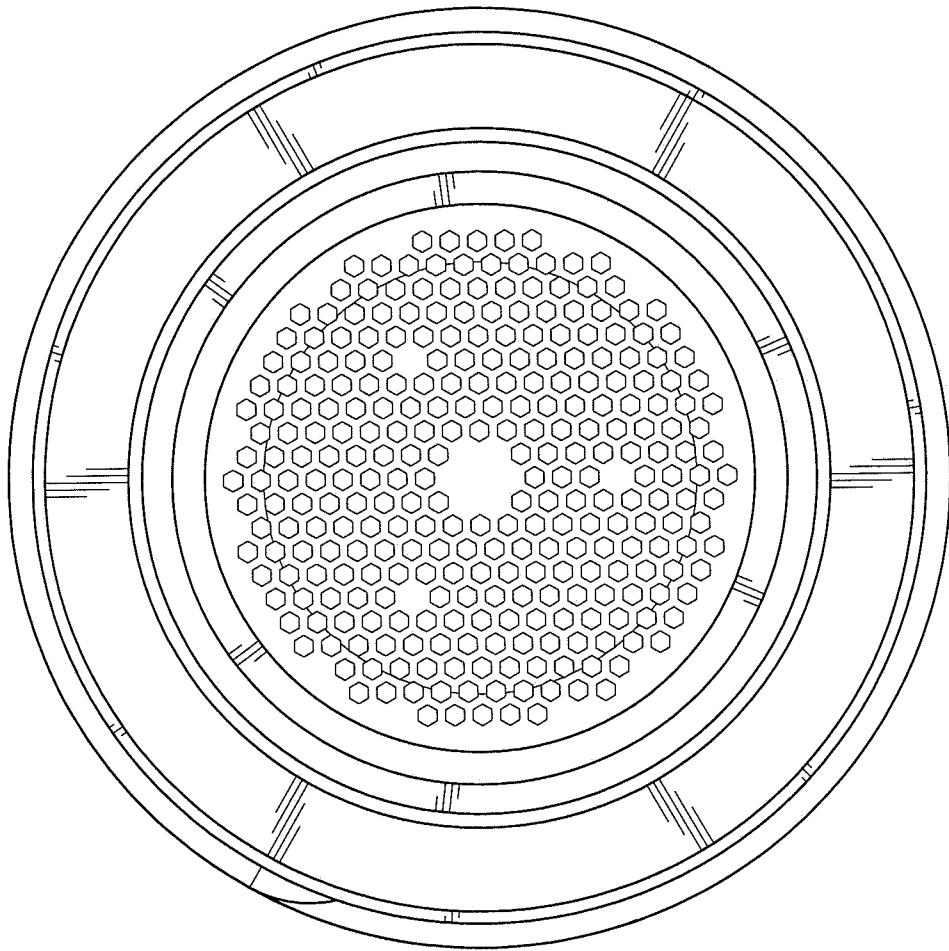
**Fig.4**



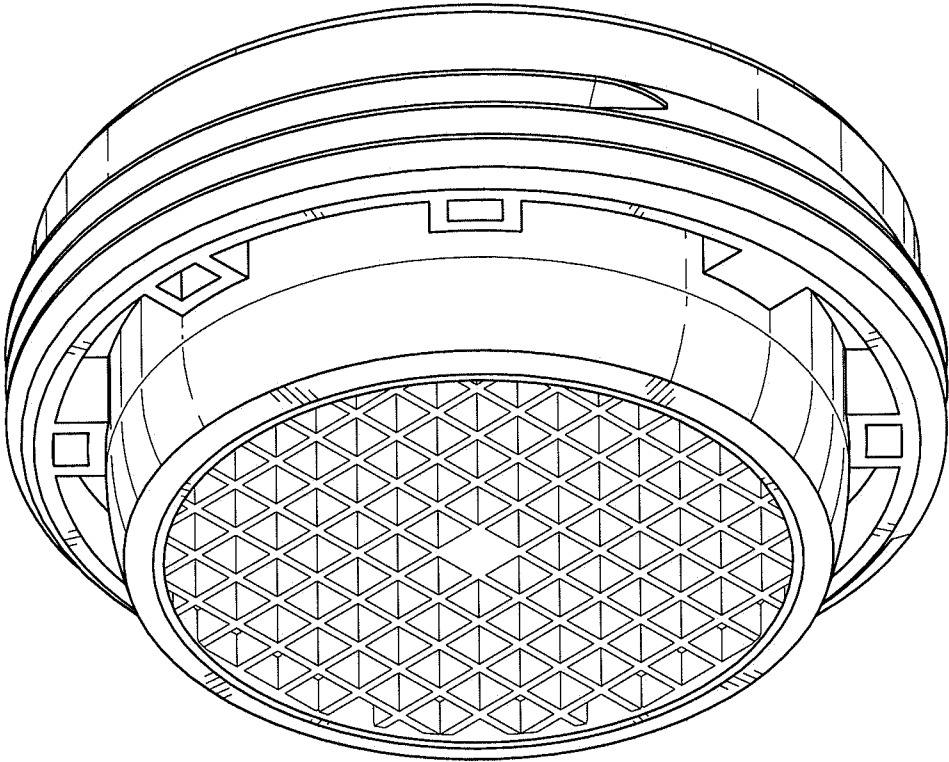
**Fig. 5**



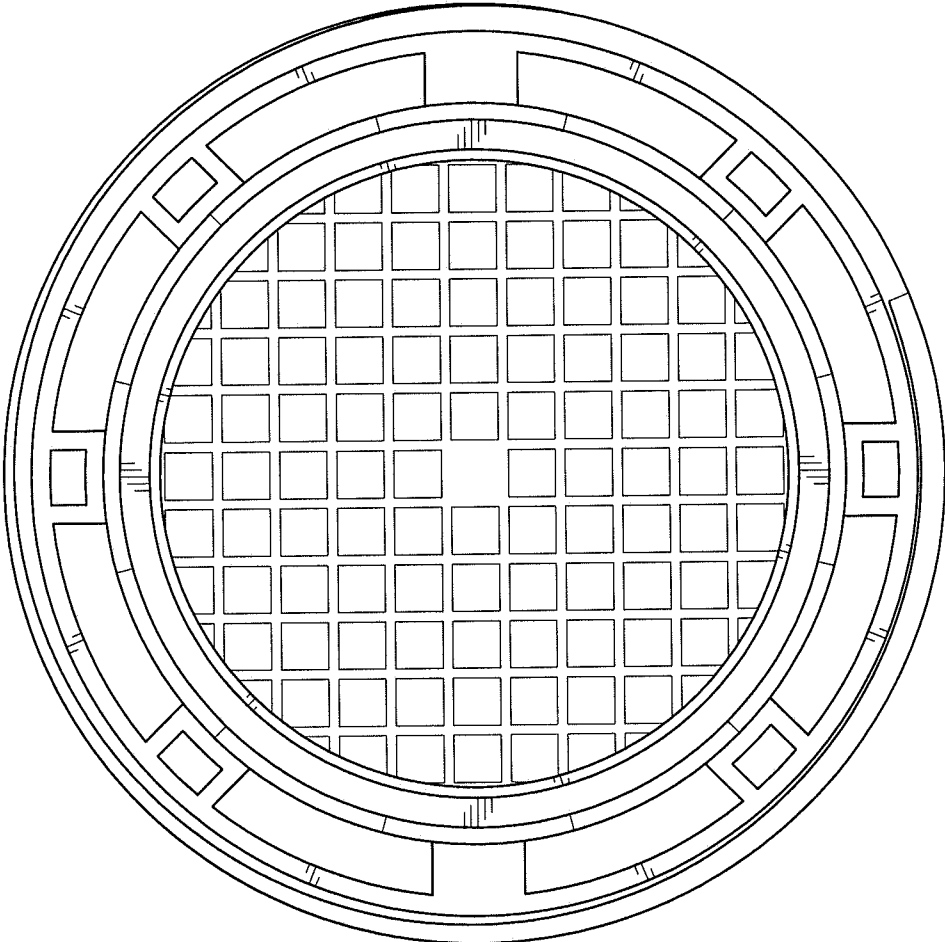
**Fig. 6**



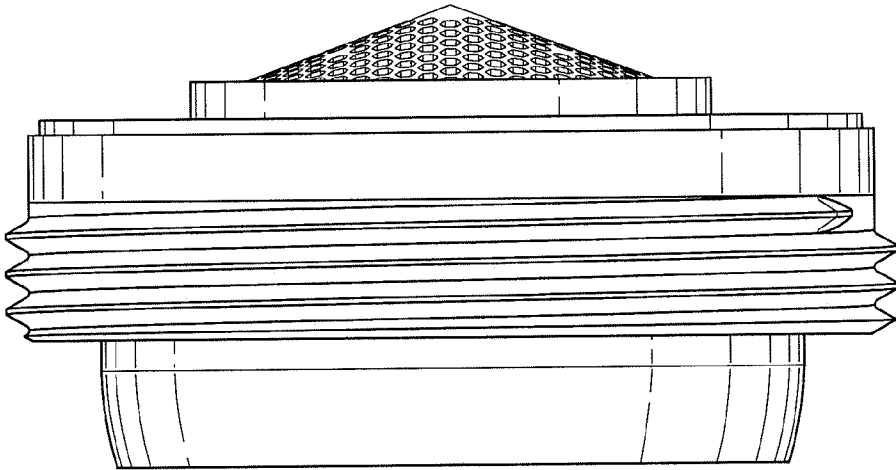
**Fig. 7**



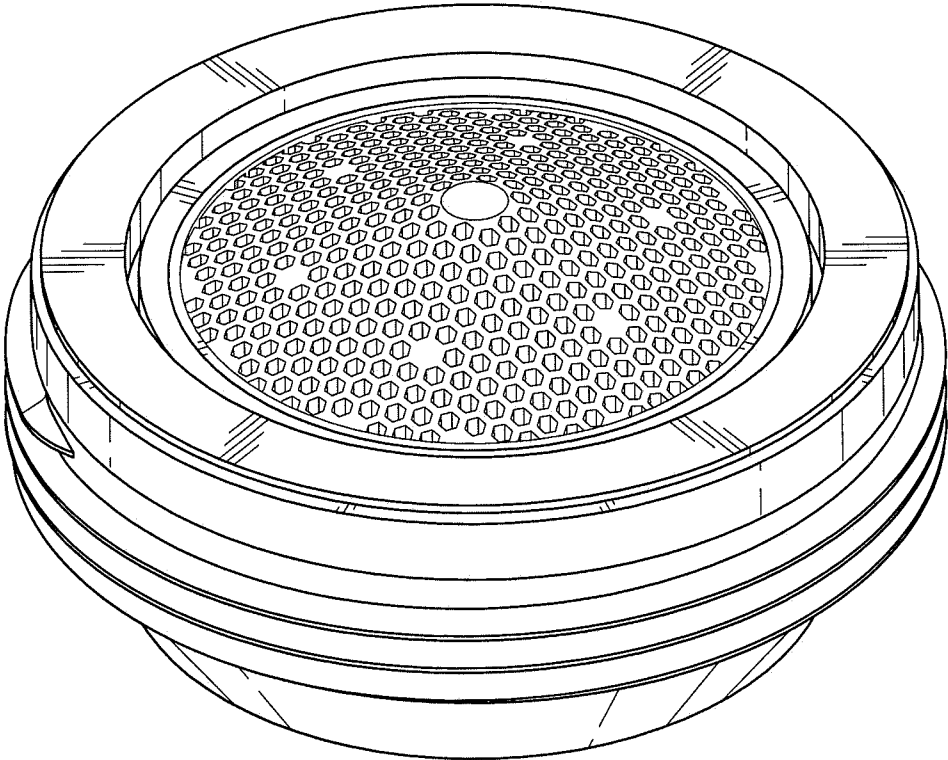
**Fig. 8**



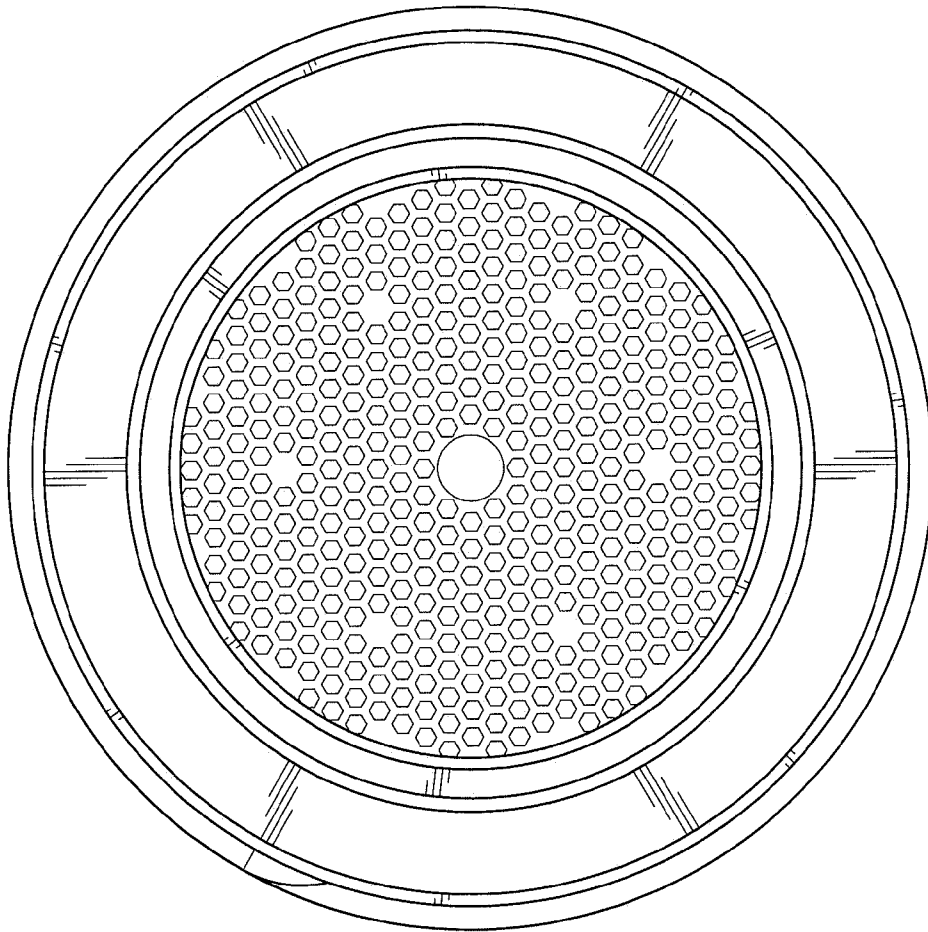
**Fig. 9**



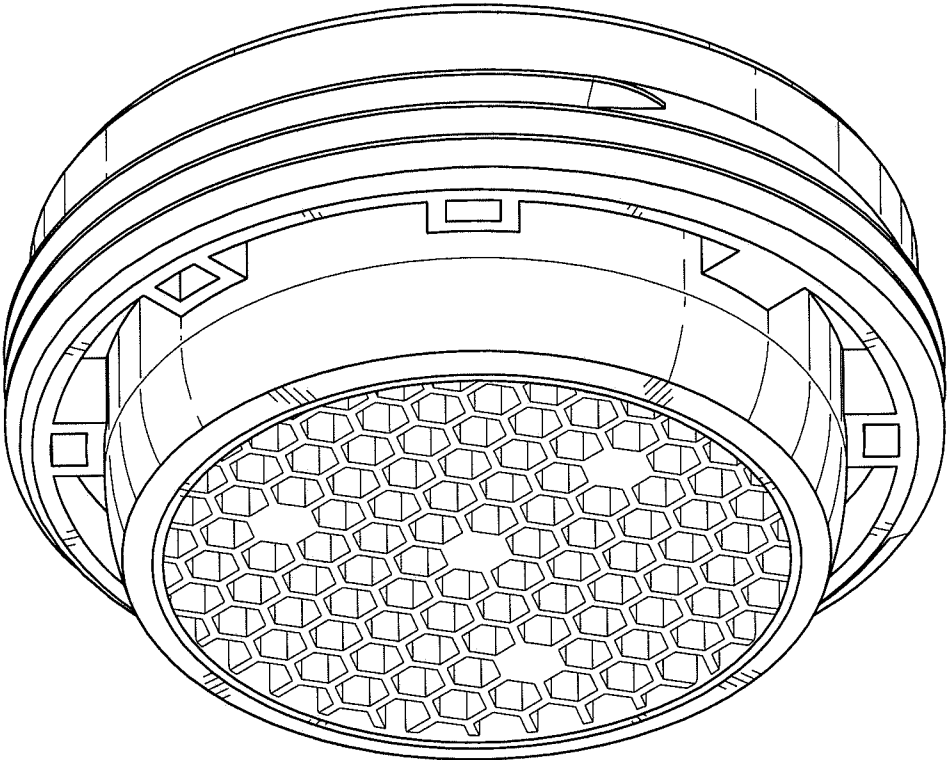
**Fig. 10**



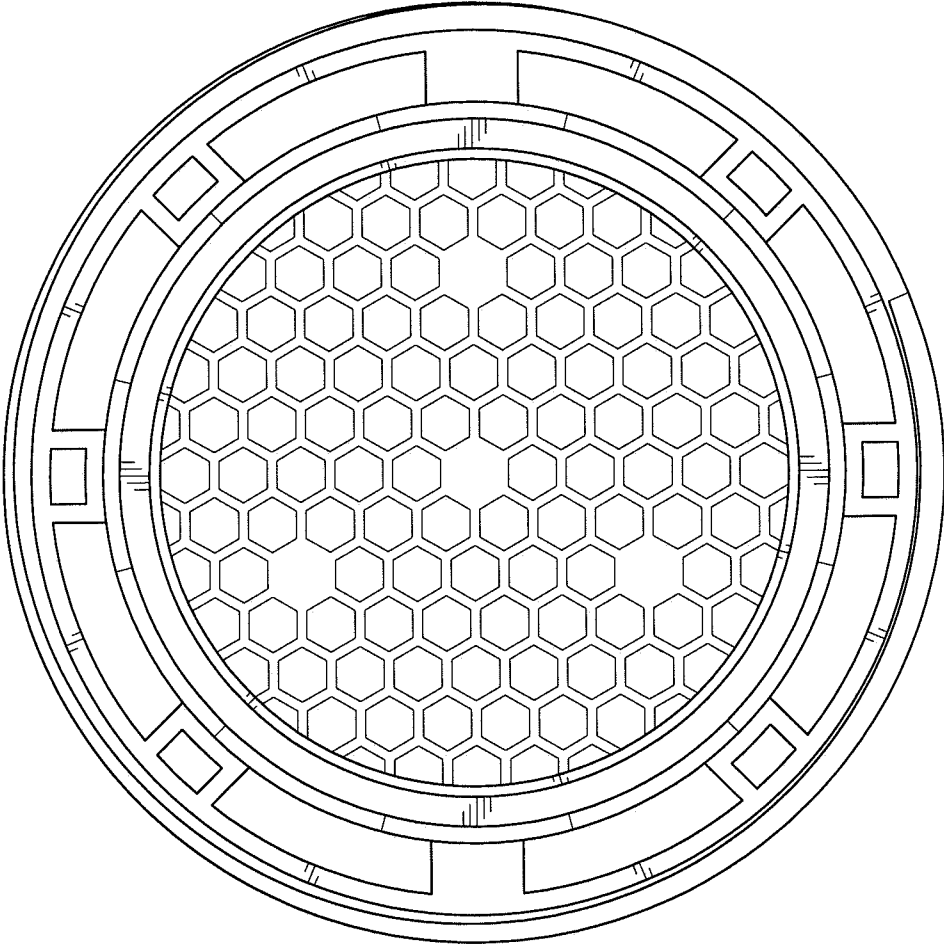
**Fig. 11**



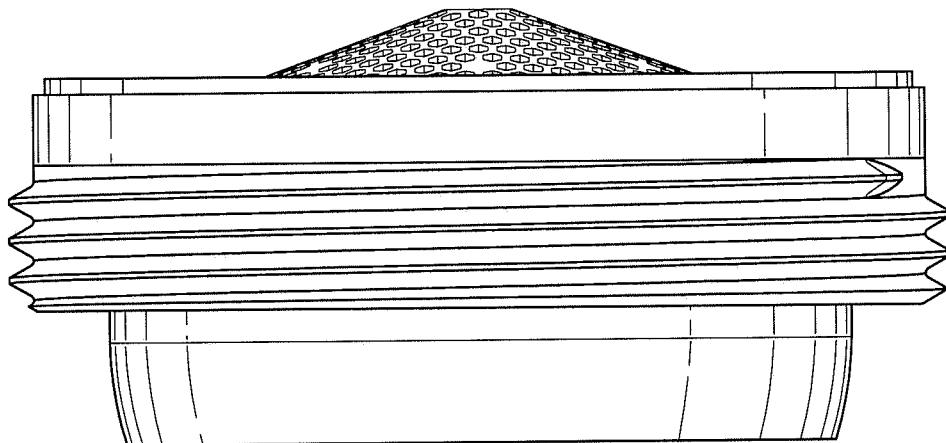
**Fig. 12**



**Fig. 13**



**Fig. 14**



**Fig. 15**