

(19) World Intellectual Property Organization
International Bureau



(43) International Publication Date
26 November 2009 (26.11.2009)

(10) International Publication Number
WO 2009/141825 A3

- (51) International Patent Classification:
A61C 7/30 (2006.01)
- (21) International Application Number:
PCT/IL2009/000509
- (22) International Filing Date:
21 May 2009 (21.05.2009)
- (25) Filing Language: English
- (26) Publication Language: English
- (30) Priority Data:
61/071,887 22 May 2008 (22.05.2008) US
- (71) Applicant (for all designated States except US): **RGB ORTHODONTICS LTD.** [IL/IL]; c/o Dr. Rafi Romano, 34 HaBarzel Street, 69710 Tel-Aviv (IL).
- (72) Inventors; and
- (75) Inventors/Applicants (for US only): **ROMANO, Rafi** [IL/IL]; 16 Shimon Lavi Street, 46413 Herzlia (IL). **GERON, Silvia** [IL/IL]; 19 Almog Street, 52960 Ramat-Efal (IL). **JACOBY, Yuval** [IL/IL]; 11 Epstein Street, 62962 Tel-Aviv (IL).
- (74) Agents: **G.E EHRlich (1995) LTD.** et al.; 11 Menachem Begin Street, 52521 Ramat Gan (IL).
- (81) Designated States (unless otherwise indicated, for every kind of national protection available): AE, AG, AL, AM, AO, AT, AU, AZ, BA, BB, BG, BH, BR, BW, BY, BZ, CA, CH, CN, CO, CR, CU, CZ, DE, DK, DM, DO, DZ, EC, EE, EG, ES, FI, GB, GD, GE, GH, GM, GT, HN, HR, HU, ID, IL, IN, IS, JP, KE, KG, KM, KN, KP, KR, KZ, LA, LC, LK, LR, LS, LT, LU, LY, MA, MD, ME, MG, MK, MN, MW, MX, MY, MZ, NA, NG, NI, NO, NZ, OM, PG, PH, PL, PT, RO, RS, RU, SC, SD, SE, SG, SK, SL, SM, ST, SV, SY, TJ, TM, TN, TR, TT, TZ, UA, UG, US, UZ, VC, VN, ZA, ZM, ZW.
- (84) Designated States (unless otherwise indicated, for every kind of regional protection available): ARIPO (BW, GH, GM, KE, LS, MW, MZ, NA, SD, SL, SZ, TZ, UG, ZM, ZW), Eurasian (AM, AZ, BY, KG, KZ, MD, RU, TJ, TM), European (AT, BE, BG, CH, CY, CZ, DE, DK, EE, ES, FI, FR, GB, GR, HR, HU, IE, IS, IT, LT, LU, LV, MC, MK, MT, NL, NO, PL, PT, RO, SE, SI, SK, TR), OAPI (BF, BJ, CF, CG, CI, CM, GA, GN, GQ, GW, ML, MR, NE, SN, TD, TG).

[Continued on next page]

(54) Title: ORTHODONTIC BRACKET AND METHOD

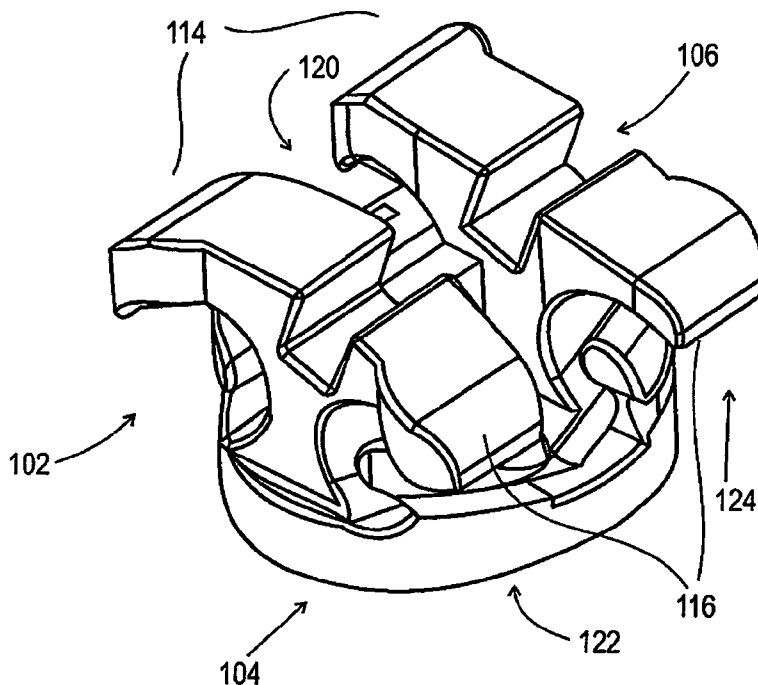


FIG. 1H

(57) Abstract: Various designs of dental orthodontic brackets are described. Some Brackets are self-ligating with no moving parts. Some brackets include multiple pathway for wires so an amount and type of force applied by the bracket can be varied without moving the bracket. Optionally, a same bracket is used for an entire orthodontic process.



WO 2009/141825 A3



Published:

— *with international search report (Art. 21(3))*

(88) Date of publication of the international search report:

11 March 2010

INTERNATIONAL SEARCH REPORT

International application No.

PCT/IL 09/00509

A. CLASSIFICATION OF SUBJECT MATTER

IPC(8) - A61C 7/30 (2009.01)

USPC - 433/11

According to International Patent Classification (IPC) or to both national classification and IPC

B. FIELDS SEARCHED

Minimum documentation searched (classification system followed by classification symbols)

USPC - 433/11

Documentation searched other than minimum documentation to the extent that such documents are included in the fields searched

USPC - 433/8, 10, 11, 15

Electronic data base consulted during the international search (name of data base and, where practicable, search terms used)

PubWest (USPT, PGPB, USOC, EPAB, JPAB), Google Web

Search terms - Self-ligating, orthodontist, bracket, wire guide, wing, depression, slot, channel, axis, movement, alignment, motion, interference, perpendicular, axis, friction wire, rectangular, tipping, torque, rotation

C. DOCUMENTS CONSIDERED TO BE RELEVANT

Category*	Citation of document, with indication, where appropriate, of the relevant passages	Relevant to claim No.
X ----- Y	US 2006/0246392 A1 (Vigolo) 02 November 2006 (02.11.2006) (abstract; FIG. 1, 2, 4-6; para [0007], [0019], [0020], [0048], [0050], [0051], [0052], [0053], [0054], [0059], [0060], [0062], [0063], [0064], [0069], [0072], [0080], [0082], [0083], [0085], [0087], [0088], [0089], [0091], [0093])	1-2, 5, 10, 28, 46, 62, 64 ----- 3-4, 6-9, 11-13, 14-27, 29-38, 44-45, 47-49, 56-57
X ----- Y	US 2005/0019719 A1 (Hanson) 27 January 2005 (27.01.2005) (abstract; FIG. 1, 5; para [0063], [0065], [0066], [0068], [0072], [0073], [0075], [0078], [0079], [0080], [0082], [0083])	39 ----- 6-9, 11-12, 14-21, 25, 35, 37-38, 47-48
X ----- Y	US 2003/0113682 A1 (Pospisil et al.) 19 June 2003 (19.06.2003) (abstract; FIG. 5; para [0023], [0038], [0040], [0042], [0051], [0055], [0056], [0059], [0065], [0066])	40-42, 50-51, 61 ----- 29-35, 44-45, 49, 52-53
X ----- Y	US 6,733,286 B2 (Abels et al.) 11 May 2004 (11.05.2004) (abstract; FIG. 18C; col 16, ln 54-65)	43, 54-55 ----- 9, 52-53
X ----- Y	US 2006/0257810 A1 (Majjer et al.) 16 November 2006 (16.11.2006) (abstract; FIG. 1; para [0032], [0071], [0072], [0076], [0085], [0090], [0091], [0092], [0093], [0095], [0096], [0103], [0107], [0119])	63 ----- 13, 18, 21, 27, 58-60
Y	US 2004/0072120 A1 (Lauren) 15 April 2004 (15.04.2004) (para [0057], [0058])	3-4

Further documents are listed in the continuation of Box C.

* Special categories of cited documents:	"T" later document published after the international filing date or priority date and not in conflict with the application but cited to understand the principle or theory underlying the invention
"A" document defining the general state of the art which is not considered to be of particular relevance	"X" document of particular relevance; the claimed invention cannot be considered novel or cannot be considered to involve an inventive step when the document is taken alone
"E" earlier application or patent but published on or after the international filing date	"Y" document of particular relevance; the claimed invention cannot be considered to involve an inventive step when the document is combined with one or more other such documents, such combination being obvious to a person skilled in the art
"L" document which may throw doubts on priority claim(s) or which is cited to establish the publication date of another citation or other special reason (as specified)	"&" document member of the same patent family
"O" document referring to an oral disclosure, use, exhibition or other means	
"P" document published prior to the international filing date but later than the priority date claimed	

Date of the actual completion of the international search

07 September 2009 (07.09.2009)

Date of mailing of the international search report

29 SEP 2009

Name and mailing address of the ISA/US

Mail Stop PCT, Attn: ISA/US, Commissioner for Patents
P.O. Box 1450, Alexandria, Virginia 22313-1450
Facsimile No. 571-273-3201

Authorized officer:

Lee W. Young

PCT Helpdesk: 571-272-4300
PCT OSP: 571-272-7774

INTERNATIONAL SEARCH REPORT

International application No.

PCT/IL 09/00509

C (Continuation). DOCUMENTS CONSIDERED TO BE RELEVANT		
Category*	Citation of document, with indication, where appropriate, of the relevant passages	Relevant to claim No.
Y	US 2002/0034715 A1 (Hanson) 21 March 2002 (21.03.2002) (para [0063], [0064], [0066], [0070], [0071])	22-23
Y	US 2007/0259300 A1 (McLaughlin et al.) 08 November 2007 (08.11.2007) (para [0021], [0027], [0033], [0034], [0037])	24-26, 56-57
Y	US 2008/0014544 A1 (Nucera) 17 January 2008 (17.01.2008) (abstract; para [0021], [0026], [0027])	36, 60
Y	US 6,071,119 A (Christoff et al.) 06 June 2000 (06.06.2000) (col 15, ln 49-59; col 17, ln 25-39)	58-59