



US00D446228S

(12) **United States Design Patent** (10) **Patent No.:** **US D446,228 S**  
**Hsu** (45) **Date of Patent:** **\*\* Aug. 7, 2001**

(54) **SCROLL SAW**  
(75) Inventor: **Jung-Chuan Hsu, Taichung (TW)**  
(73) Assignee: **P & F Brother Industrial Corporation, Taichung (TW)**  
(\*\*) Term: **14 Years**

*Primary Examiner*—Antoine Duval Davis  
(74) *Attorney, Agent, or Firm*—Baker Botts L.L.P.

(57) **CLAIM**

The ornamental design for a scroll saw, as shown and described.

**DESCRIPTION**

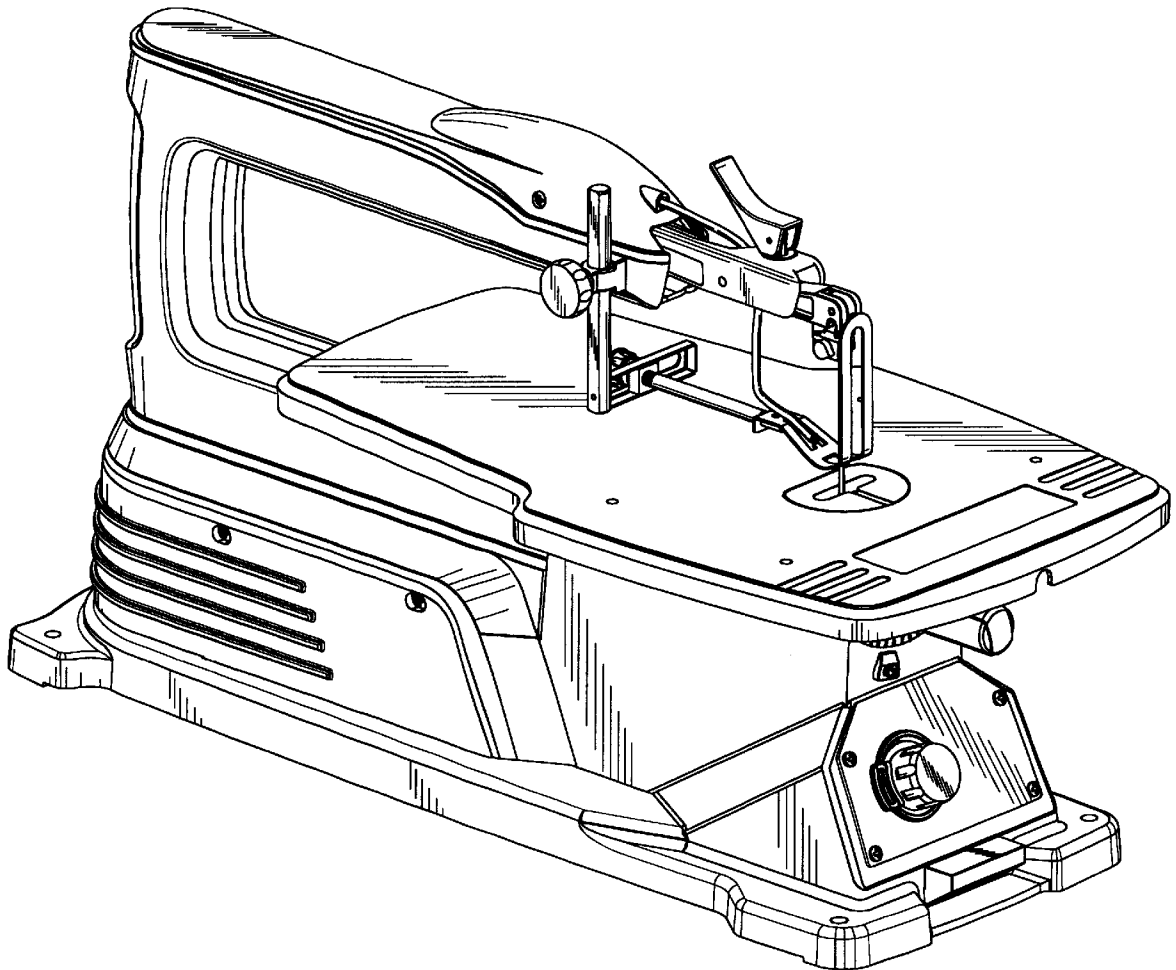
(21) Appl. No.: **29/129,550**  
(22) Filed: **Sep. 18, 2000**  
(51) **LOC (7) Cl.** ..... **15-09**  
(52) **U.S. Cl.** ..... **D15/133**  
(58) **Field of Search** ..... **D15/133; 83/783-786**

FIG. 1 is a perspective view of scroll saw showing my new design;  
FIG. 2 is a front elevational view thereof;  
FIG. 3 is a rear elevational view thereof;  
FIG. 4 is a left side elevational view thereof;  
FIG. 5 is a right side elevational view thereof;  
FIG. 6 is a top plan view thereof; and,  
FIG. 7 is a bottom plan view thereof.

(56) **References Cited**  
**U.S. PATENT DOCUMENTS**  
D. 366,881 \* 2/1996 Eccardt et al. .... D15/133  
D. 400,897 \* 11/1998 Huang-Sung ..... D15/133  
5,065,652 \* 11/1991 Legler et al. .... 83/783

\* cited by examiner

**1 Claim, 4 Drawing Sheets**



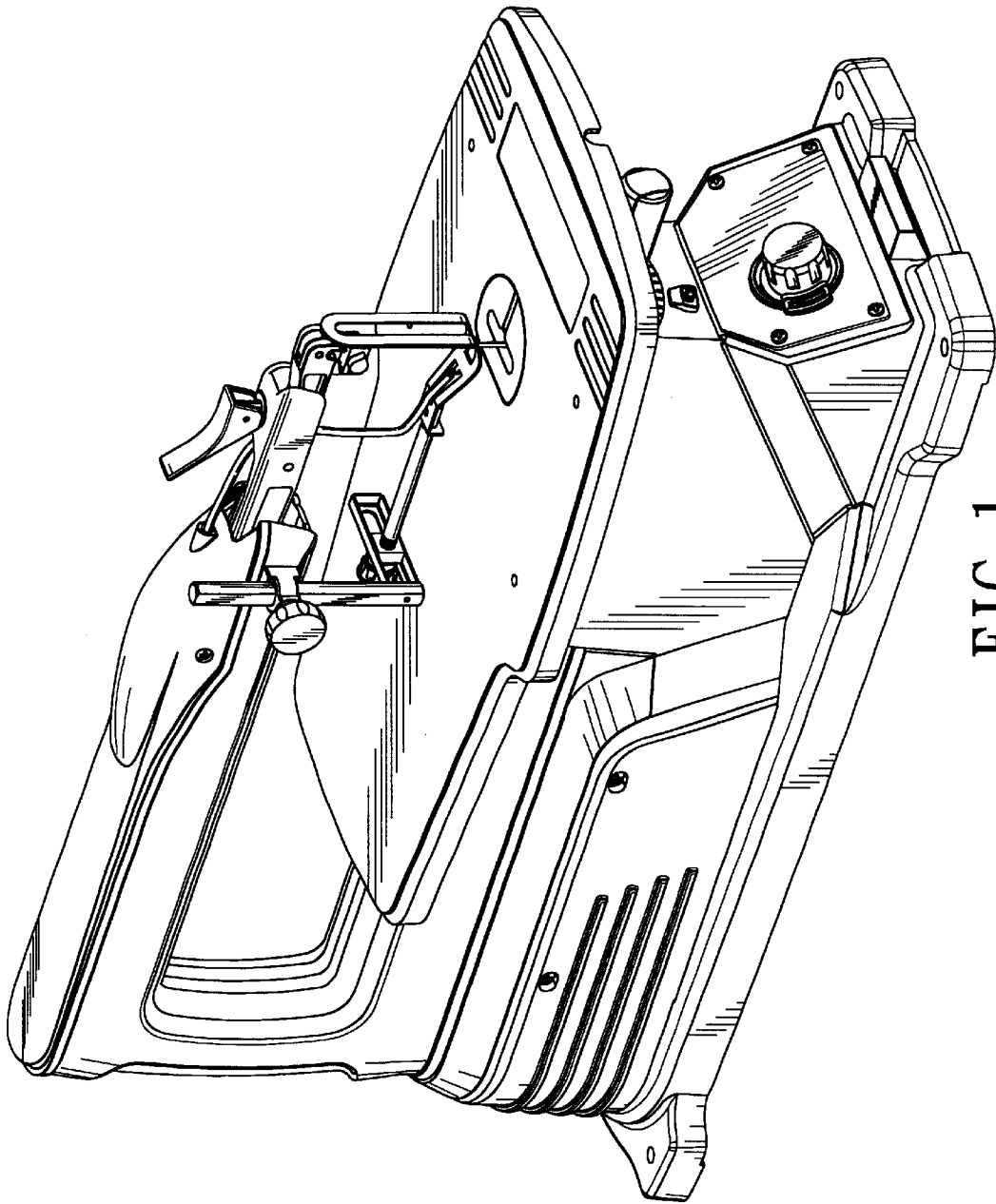


FIG. 1

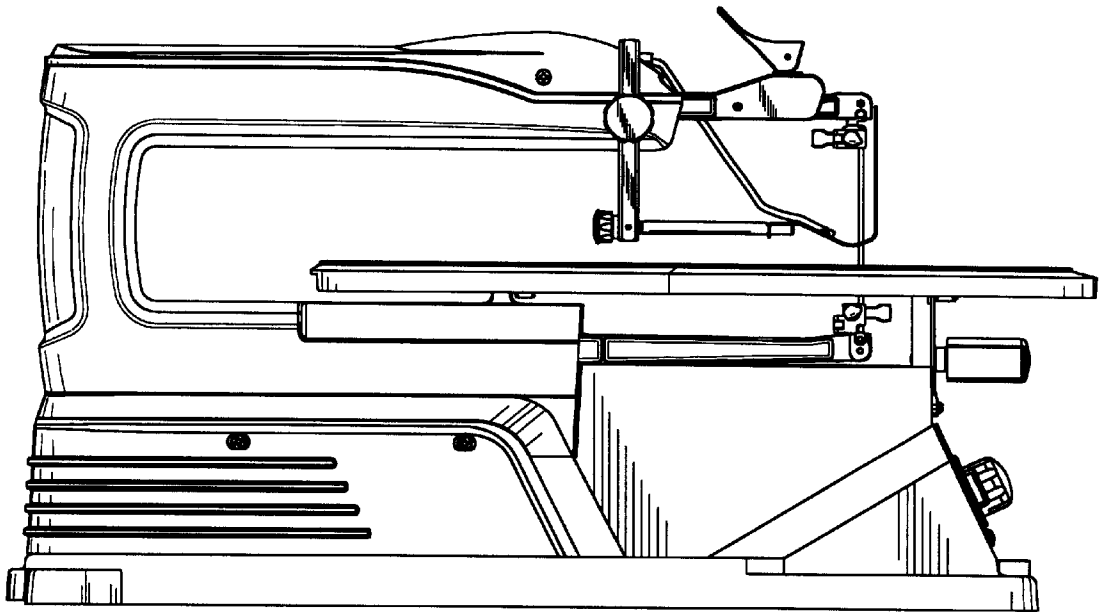


FIG. 2

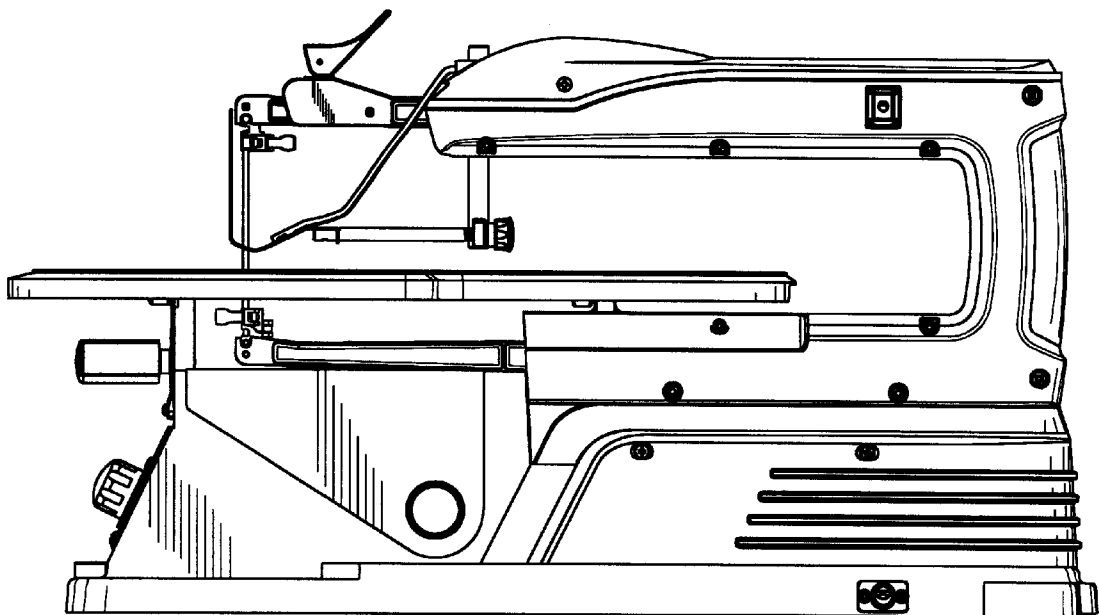


FIG. 3

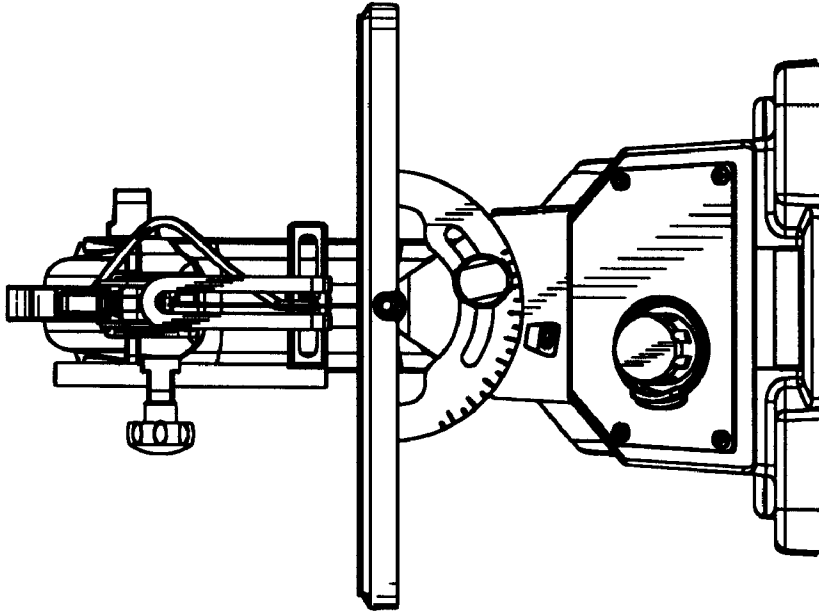


FIG. 5

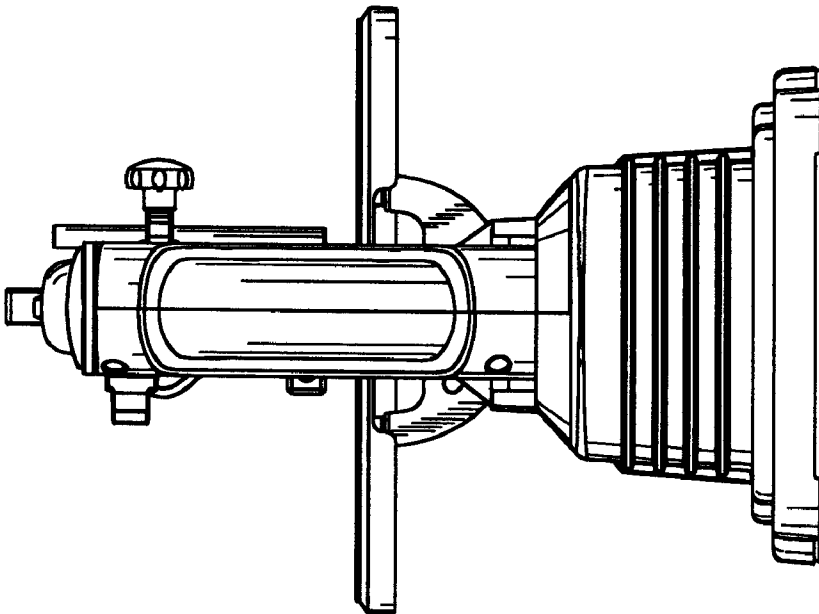


FIG. 4

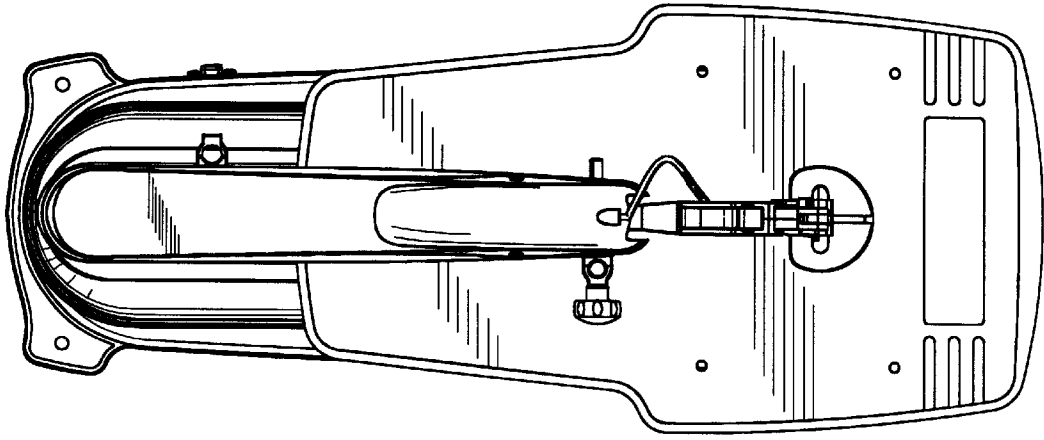


FIG. 6

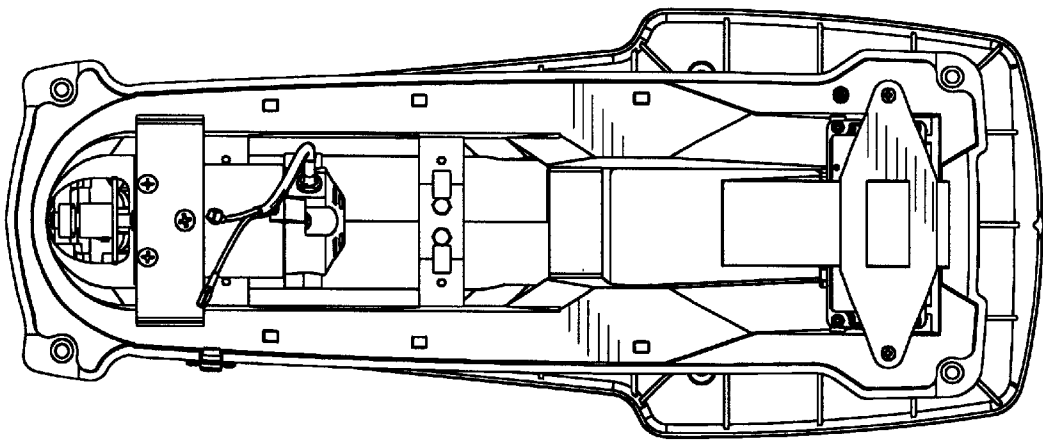


FIG. 7