



US00D900751S

(12) **United States Design Patent**
Smajda

(10) **Patent No.:** **US D900,751 S**

(45) **Date of Patent:** **** Nov. 3, 2020**

- (54) **POWER CONNECTOR**
- (71) Applicant: **Westinghouse Air Brake Technologies Corporation**, Wilmerding, PA (US)
- (72) Inventor: **Kenneth J. Smajda**, Elkridge, MD (US)
- (73) Assignee: **WESTINGHOUSE AIR BRAKE TECHNOLOGIES CORPORATION**, Wilmerding, PA (US)

- 4,457,572 A 7/1984 Frazier et al.
- 4,472,013 A 9/1984 Frear
- 4,497,530 A 2/1985 Shannon
- 4,595,251 A 6/1986 Moulin
- 4,629,272 A 12/1986 Mattingly et al.
- 4,639,064 A 1/1987 Knapp et al.
- 5,082,454 A 1/1992 Tonkiss et al.

(Continued)

(**) Term: **15 Years**

(21) Appl. No.: **29/657,889**

(22) Filed: **Jul. 26, 2018**

FOREIGN PATENT DOCUMENTS

- EP 1050931 A1 11/2000
- KR 1020140062930 A 5/2014

OTHER PUBLICATIONS

Wabtec. Locomotive Market Products. No date specified. <https://www.wabtec.com/markets/freight-segment-locomotive-market/products?page=7> (Year: 0).*

(Continued)

Related U.S. Application Data

- (62) Division of application No. 29/562,121, filed on Apr. 22, 2016, now Pat. No. Des. 833,978.
- (51) **LOC (12) Cl.** **13-03**
- (52) **U.S. Cl.**
- USPC **D13/146**
- (58) **Field of Classification Search**
- USPC D13/103, 107, 108, 110, 112, 118, 120, D13/123, 133, 137.1, 145-147, 149-156, D13/158, 173, 177, 184, 199, 242; D14/240, 242, 433, 434, 435.1, 438; D26/129
- CPC H01R 13/627; H01R 13/623; H01R 13/6278; B61G 5/10
- See application file for complete search history.

Primary Examiner — Darcey E Gottschalk
(74) *Attorney, Agent, or Firm* — The Small Patent Law Group LLC; Philip S. Hof

(57) **CLAIM**

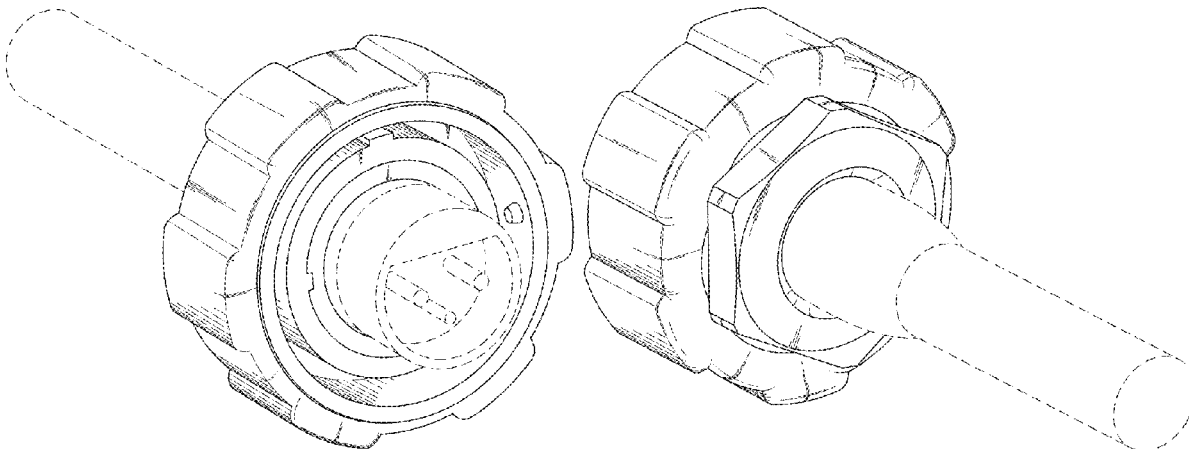
The ornamental design for a power connector, as shown and described.

DESCRIPTION

FIG. 1 is a rear perspective view of a power connector showing my new design;
FIG. 2 is a rear perspective view thereof;
FIG. 3 is a front elevation view thereof;
FIG. 4 is a rear elevation view thereof;
FIG. 5 is a top view thereof;
FIG. 6 is a bottom view thereof;
FIG. 7 is a right side elevation view thereof; and,
FIG. 8 is a left side elevation view thereof.
The broken line showings of FIGS. 1-8 are environmental only and not part of the claimed design.

1 Claim, 5 Drawing Sheets

- (56) **References Cited**
- U.S. PATENT DOCUMENTS**
- 2,933,711 A 4/1960 Eaton
- 3,271,726 A 9/1966 Pfendler
- 3,680,033 A 7/1972 Kawai
- 3,971,614 A 7/1976 Paoli et al.
- D243,407 S 2/1977 Mooney et al.



(56)

References Cited

U.S. PATENT DOCUMENTS

5,131,862 A 7/1992 Gershfeld
 5,192,219 A 3/1993 Fowler et al.
 D336,070 S 6/1993 Clark
 5,658,159 A 8/1997 Gardner et al.
 D406,816 S 3/1999 Hopper et al.
 6,173,849 B1 1/2001 Stevens et al.
 6,602,093 B1 8/2003 Cannon
 6,669,506 B2 12/2003 Newton
 6,808,407 B1 10/2004 Cannon
 6,848,931 B2 2/2005 McMullen et al.
 6,908,118 B2 6/2005 Fumioka
 7,097,490 B2 8/2006 Eaton et al.
 D580,876 S 11/2008 Farahani
 7,587,244 B2 9/2009 Olbertz
 7,748,986 B1 7/2010 Pamapy et al.
 D633,872 S 3/2011 Shen et al.
 9,093,783 B2 7/2015 Grimm
 9,099,807 B2 8/2015 Oppenorth
 9,136,658 B2 9/2015 Chang et al.
 D749,047 S 2/2016 Smith
 D754,073 S 4/2016 Katagiyama et al.
 9,412,530 B2 8/2016 Kirita
 9,437,961 B1 9/2016 Smajda
 9,437,965 B2 9/2016 Zitsch et al.
 D769,822 S 10/2016 Reynolds
 D781,787 S 3/2017 Spiel
 D782,982 S 4/2017 Katagiyama et al.
 D794,573 S 8/2017 Tateishi
 D798,701 S * 10/2017 Hill F16B 35/00
 D803,158 S * 11/2017 Smajda D13/138.1

D818,356 S * 5/2018 Sears D8/387
 D820,788 S * 6/2018 Smajda D13/138.1
 D821,327 S * 6/2018 Smajda D13/138.1
 D833,978 S * 11/2018 Smajda D13/154
 D864,125 S * 10/2019 Selig D13/156
 D867,298 S * 11/2019 Joniak D13/146
 D868,000 S * 11/2019 Joniak D13/146
 10,476,199 B2 * 11/2019 Kim H01R 13/5213
 D868,699 S * 12/2019 Smajda D13/146
 D870,054 S * 12/2019 Wildman D13/158
 2004/0014350 A1 1/2004 McMullen et al.
 2006/0063396 A1 3/2006 Bankstahl
 2009/0269958 A1 10/2009 Fujiwara et al.
 2010/0173504 A1 7/2010 Pamapy et al.
 2010/0297875 A1 11/2010 Purdy et al.
 2011/0294329 A1 12/2011 Sasaki
 2012/0252256 A1 10/2012 Zhu et al.
 2013/0221166 A1 8/2013 Henniges et al.
 2014/0050443 A1 2/2014 Lee
 2014/0302724 A1 10/2014 Ono
 2015/0050827 A1 2/2015 Chang et al.
 2015/0110447 A1 4/2015 Elenbaas et al.
 2017/0288335 A1 * 10/2017 Hsu G02B 6/3816
 2017/0310044 A1 10/2017 Smajda

OTHER PUBLICATIONS

Camping World. 25' 50 Amp Detachable Power Cord with Handle & Indicator Light. No date specified. <https://www.campingworld.com/25%E2%80%99-50-amp-detachable-power-cord-with-handle-indicator-light-102415.html> (Year: 0).*

* cited by examiner

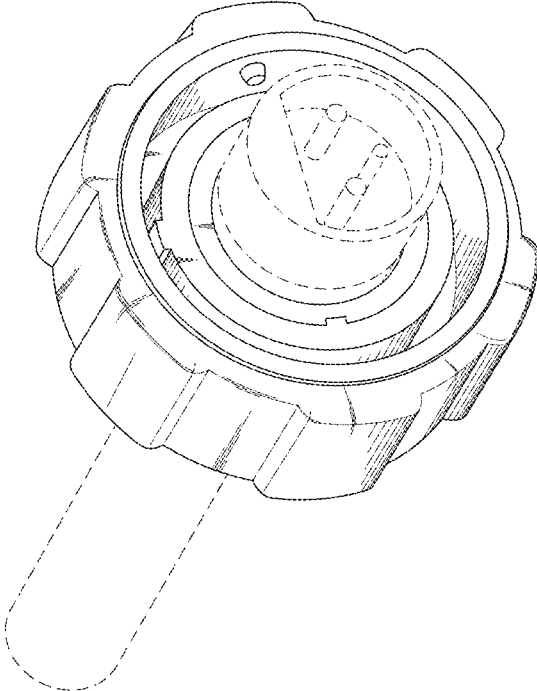


FIG. 1

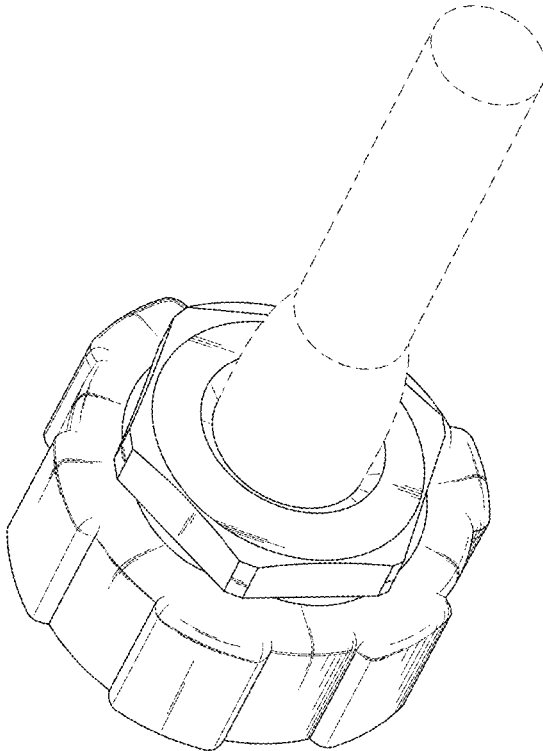


FIG. 2

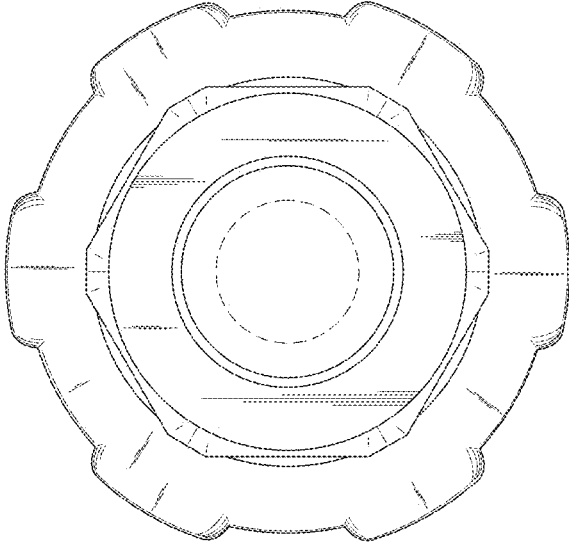


FIG. 4

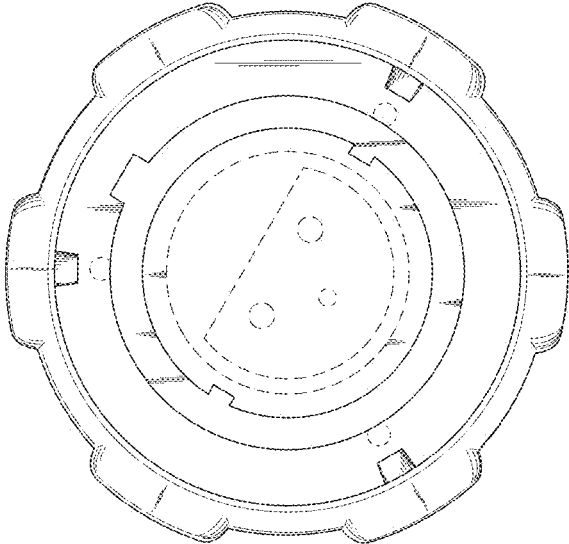


FIG. 3

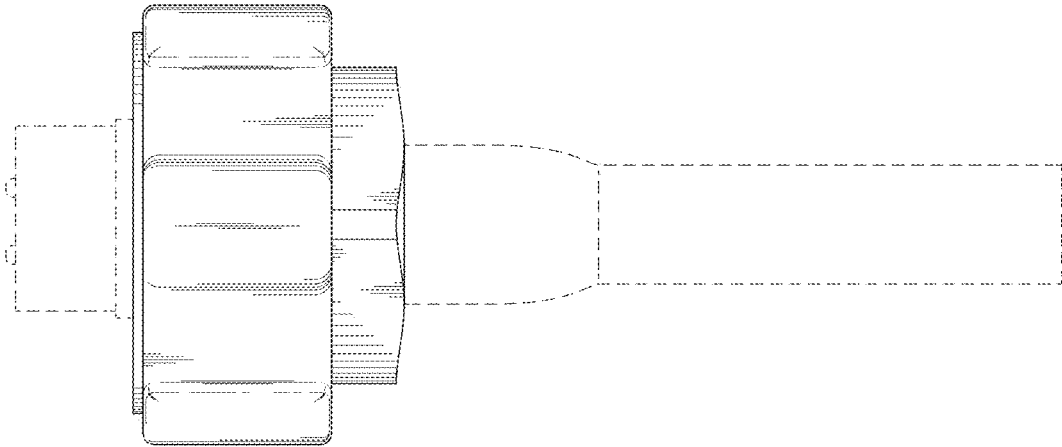


FIG. 5

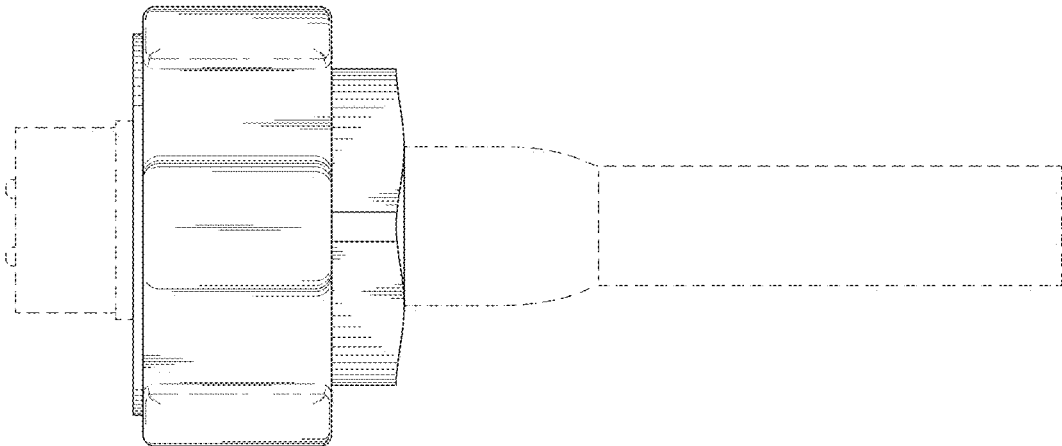


FIG. 6

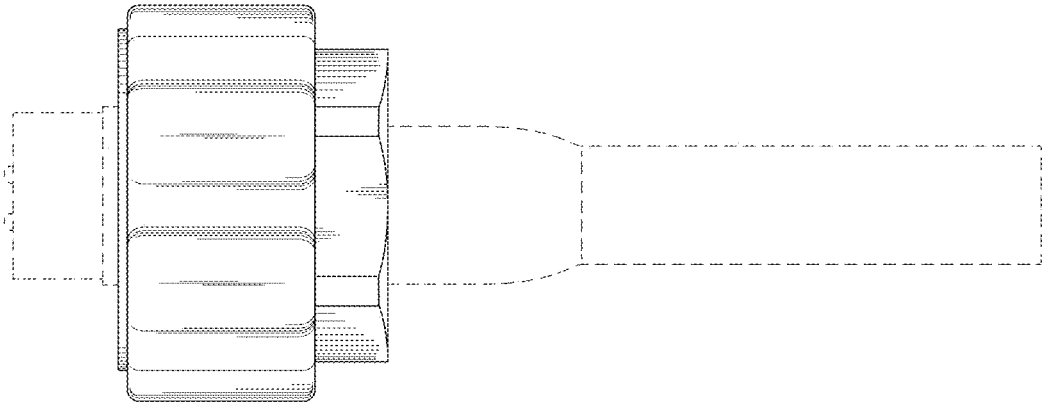


FIG. 8

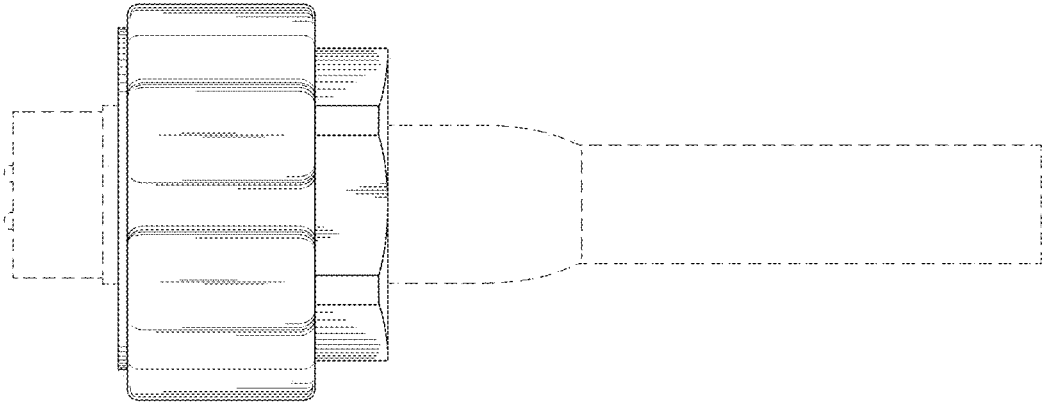


FIG. 7