

(19) World Intellectual Property Organization  
International Bureau



(43) International Publication Date  
3 January 2002 (03.01.2002)

PCT

(10) International Publication Number  
WO 02/00362 A3

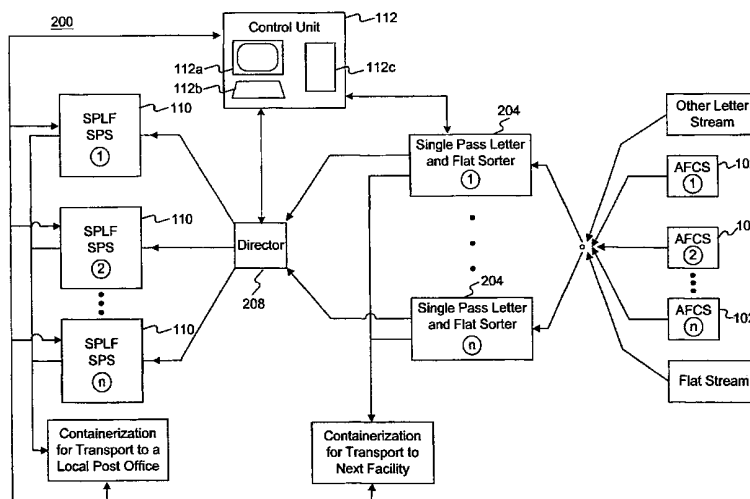
- (51) International Patent Classification<sup>7</sup>: **B07C 5/00, B65B 21/06**
- (74) Agents: **GARRETT, Arthur, S.** et al.; Finnegan, Henderson, Farabow, Garrett & Dunner, L.L.P., 1300 I Street, N.W., Washington, DC 20005-3315 (US).
- (21) International Application Number: PCT/US01/20265
- (81) Designated States (*national*): AE, AG, AL, AM, AT, AU, AZ, BA, BB, BG, BR, BY, BZ, CA, CH, CN, CO, CR, CU, CZ, DE, DK, DM, DZ, EC, EE, ES, FI, GB, GD, GE, GH, GM, HR, HU, ID, IL, IN, IS, JP, KE, KG, KP, KR, KZ, LC, LK, LR, LS, LT, LU, LV, MA, MD, MG, MK, MN, MW, MX, MZ, NO, NZ, PL, PT, RO, RU, SD, SE, SG, SI, SK, SL, TJ, TM, TR, TT, TZ, UA, UG, US, UZ, VN, YU, ZA, ZW.
- (22) International Filing Date: 26 June 2001 (26.06.2001)
- (25) Filing Language: English
- (26) Publication Language: English
- (30) Priority Data:  
60/214,255 26 June 2000 (26.06.2000) US  
60/255,400 15 December 2000 (15.12.2000) US
- (84) Designated States (*regional*): ARIPO patent (GH, GM, KE, LS, MW, MZ, SD, SL, SZ, TZ, UG, ZW), Eurasian patent (AM, AZ, BY, KG, KZ, MD, RU, TJ, TM), European patent (AT, BE, CH, CY, DE, DK, ES, FI, FR, GB, GR, IE, IT, LU, MC, NL, PT, SE, TR), OAPI patent (BF, BJ, CF, CG, CI, CM, GA, GN, GW, ML, MR, NE, SN, TD, TG).
- (71) Applicant (*for all designated States except US*): **UNITED STATES POSTAL SERVICE [US/US];** 475 L'Enfant Plaza, S.W., Washington, DC 20260-1135 (US).
- (72) Inventor; and
- (75) Inventor/Applicant (*for US only*): **EDMONDS, Dean [US/US];** 360 Club View Drive, Great Falls, VA 22066-3806 (US).

**Published:**  
— with international search report

(88) Date of publication of the international search report:  
21 March 2002

[Continued on next page]

(54) Title: METHOD AND SYSTEM FOR SINGLE PASS LETTER AND FLAT PROCESSING



(57) Abstract: The sorting and packaging system (100) comprises an induction and scanning system (104), a single pass sorting and packaging system (110) for automatically sorting and packaging a plurality of mailpieces based on a single scan by the induction and scanning system (104), and a control unit (112) connected to and controlling the induction and scanning system (104) and the single pass sorting and packaging system (110). The single pass sorting and packaging system (110) comprises at least one cell rack (302), at least one packaging system (304), and at least one delivery system (308). The cell rack (302) is connected to the induction and scanning system (104) by a transport sorting system (408). The cell rack (302) comprises a plurality of cells (402) and a purging system (416). The packaging system (304) is connected to the cell rack (302) and comprises a transport packaging system (410) and a packaging unit (426). The delivery system (308) is connected to the packaging system (304).

WO 02/00362 A3

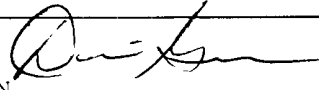


---

*For two-letter codes and other abbreviations, refer to the "Guidance Notes on Codes and Abbreviations" appearing at the beginning of each regular issue of the PCT Gazette.*

## INTERNATIONAL SEARCH REPORT

International application No.  
PCT/US01/20265

<b>A. CLASSIFICATION OF SUBJECT MATTER</b> IPC(7) : B07C 5/00; B65B 21/06 US CL : 209/3.1, 584, 900; 53/147, 203 According to International Patent Classification (IPC) or to both national classification and IPC		
<b>B. FIELDS SEARCHED</b> Minimum documentation searched (classification system followed by classification symbols) U.S. : 209/3.1, 584, 900; 53/147, 203  Documentation searched other than minimum documentation to the extent that such documents are included in the fields searched NONE  Electronic data base consulted during the international search (name of data base and, where practicable, search terms used) EAST text searched		
<b>C. DOCUMENTS CONSIDERED TO BE RELEVANT</b>		
Category*	Citation of document, with indication, where appropriate, of the relevant passages	Relevant to claim No.
X,P ----- Y,P	US 6,219,994 B1 (TANIGUCHI) 24 April 2001 (24/04/01), see the entire document.	1-40, 43-50, 52-81, 83-95 ----- 41, 42, 51, 82
A,P	US 6,219,647 B1 (HIDDING et al.) 17 April 2001 (17/04/01), see the entire document.	
A	FR 2,676,941 A1 (BERTIN & CIE) 04 December 1992 (04/12/92), see the entire document.	
<input type="checkbox"/> Further documents are listed in the continuation of Box C.		<input type="checkbox"/> See patent family annex.
* Special categories of cited documents:	"T"	later document published after the international filing date or priority date and not in conflict with the application but cited to understand the principle or theory underlying the invention
"A" document defining the general state of the art which is not considered to be of particular relevance	"X"	document of particular relevance; the claimed invention cannot be considered novel or cannot be considered to involve an inventive step when the document is taken alone
"E" earlier document published on or after the international filing date	"Y"	document of particular relevance; the claimed invention cannot be considered to involve an inventive step when the document is combined with one or more other such documents, such combination being obvious to a person skilled in the art
"L" document which may throw doubts on priority claim(s) or which is cited to establish the publication date of another citation or other special reason (as specified)	"&"	document member of the same patent family
"O" document referring to an oral disclosure, use, exhibition or other means		
"P" document published prior to the international filing date but later than the priority date claimed		
Date of the actual completion of the international search 03 DECEMBER 2001	Date of mailing of the international search report 02 JAN 2002	
Name and mailing address of the ISA/US Commissioner of Patents and Trademarks Box PCT Washington, D.C. 20231 Facsimile No. (703) 305-3230	Authorized officer  TUAN N. NGUYEN Telephone No. (703) 308-1113	