



US00D508169S

(12) **United States Design Patent**
Berg et al.

(10) **Patent No.:** **US D508,169 S**

(45) **Date of Patent:** **** Aug. 9, 2005**

(54) **DISPLAY**

(75) Inventors: **Dan Berg**, Minneapolis, MN (US);
Jason Johnson, Minneapolis, MN (US)

(73) Assignee: **Skyline Displays, Inc.**, Eagan, MI (US)

(**) Term: **14 Years**

(21) Appl. No.: **29/201,741**

(22) Filed: **Mar. 19, 2004**

Related U.S. Application Data

(63) Continuation of application No. 29/157,105, filed on Mar. 12, 2002, now Pat. No. Des. 493,290, which is a continuation-in-part of application No. 09/953,111, filed on Sep. 13, 2001, now Pat. No. 6,615,562, which is a continuation-in-part of application No. 09/953,099, filed on Sep. 13, 2001, now Pat. No. 6,659,159, which is a continuation-in-part of application No. 09/953,098, filed on Sep. 13, 2001, now Pat. No. 6,712,229, which is a continuation-in-part of application No. 09/953,113, filed on Sep. 13, 2001, now abandoned, which is a continuation-in-part of application No. 29/148,160, filed on Sep. 13, 2001, now Pat. No. Des. 471,726, which is a continuation-in-part of application No. 29/148,161, filed on Sep. 13, 2001, now Pat. No. Des. 472,719.

(51) **LOC (8) Cl.** **06-04**

(52) **U.S. Cl.** **D6/332**

(58) **Field of Search** D6/332, 396, 397;
D20/10, 39; D25/58; 40/603, 605, 610;
52/633, 645, 646

(56) **References Cited**

U.S. PATENT DOCUMENTS

2,914,872 A * 12/1959 Goodrich 40/124
3,466,777 A * 9/1969 Wistrand et al. 40/605

4,043,086 A * 8/1977 Kaulfuss et al. 52/71
4,120,124 A * 10/1978 Temple et al. 52/126.4
4,121,645 A * 10/1978 Behr D6/332
4,194,313 A * 3/1980 Downing 40/610
4,949,490 A * 8/1990 Miller 40/605
6,009,930 A * 1/2000 Jantschek 160/135

* cited by examiner

Primary Examiner—Cathron Brooks

(74) *Attorney, Agent, or Firm*—Patterson, Thuente, Skaar & Christensen, P.A.

(57) **CLAIM**

We claim the ornamental design for display, as shown and described.

DESCRIPTION

FIG. 1 is a front perspective view of a display according to a first embodiment of the invention. The dashed lines indicate possible shelving, webbing, and supports which are not part of the claimed design.

FIG. 2 is a front perspective view of a display according to a first embodiment of the invention. The dashed lines indicate possible webbing which is not part of the claimed design.

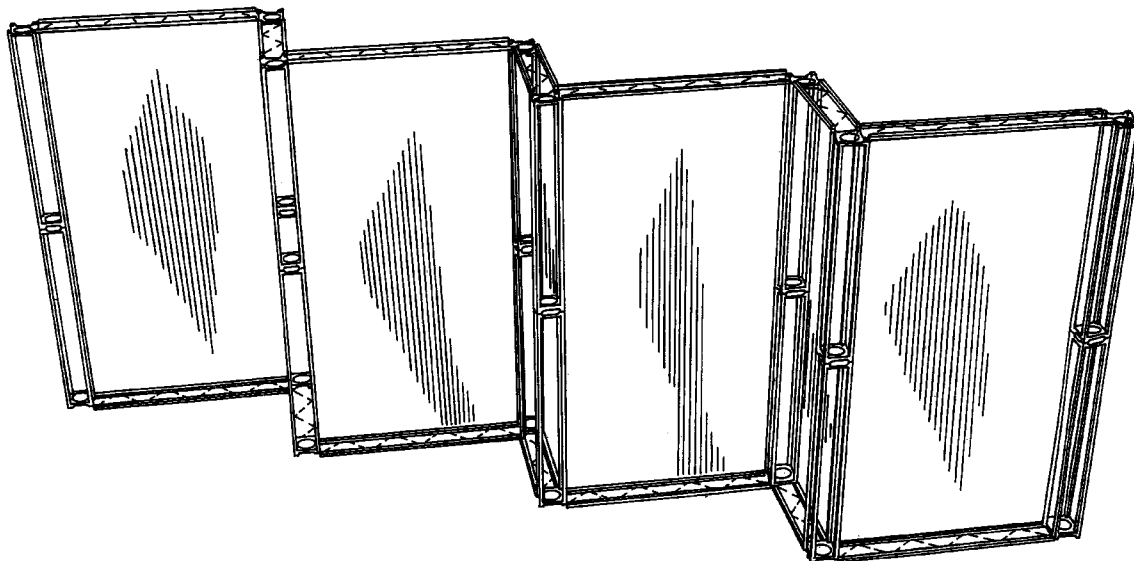
FIG. 3 is a front perspective view of a display according to a second embodiment of the invention.

FIG. 4 is a front view of a display according to a first embodiment of the invention.

FIG. 5 is a side view of a display according to a first embodiment of the invention; and,

FIG. 6 is a top view of a display according to a first embodiment of the invention. The dashed lines indicate possible webbing which is not part of the claimed design.

1 Claim, 6 Drawing Sheets



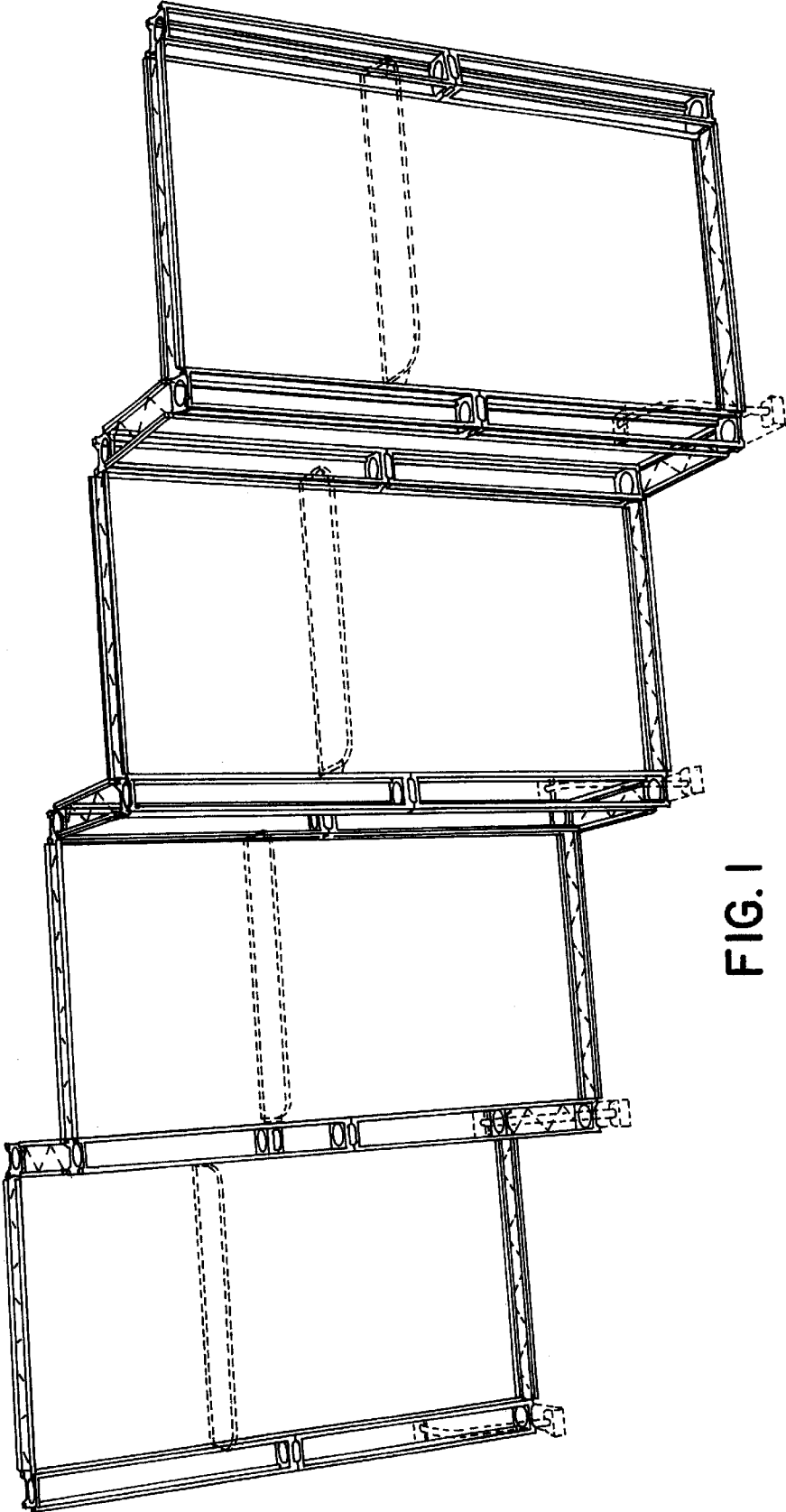


FIG. 1

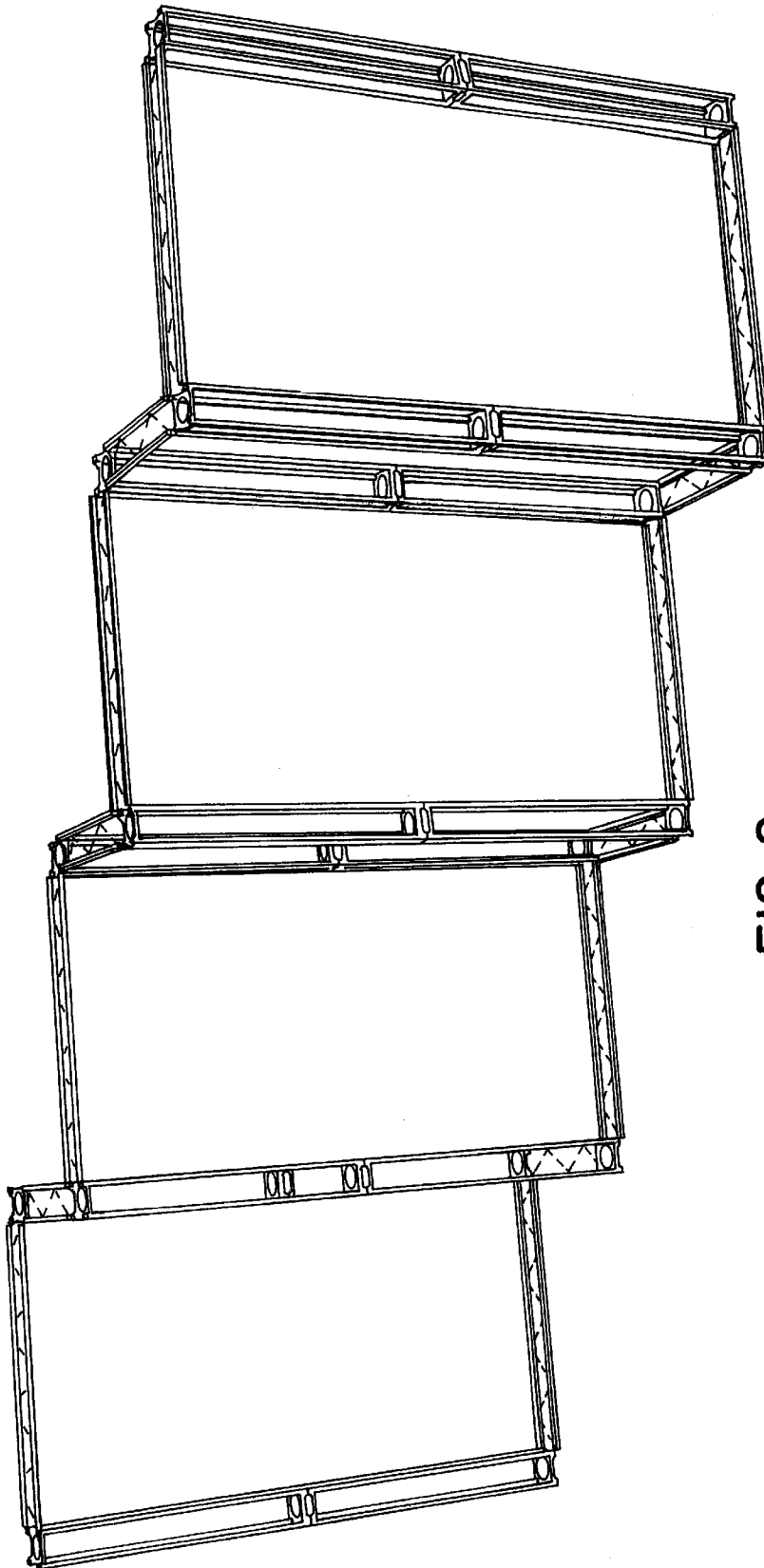


FIG. 2

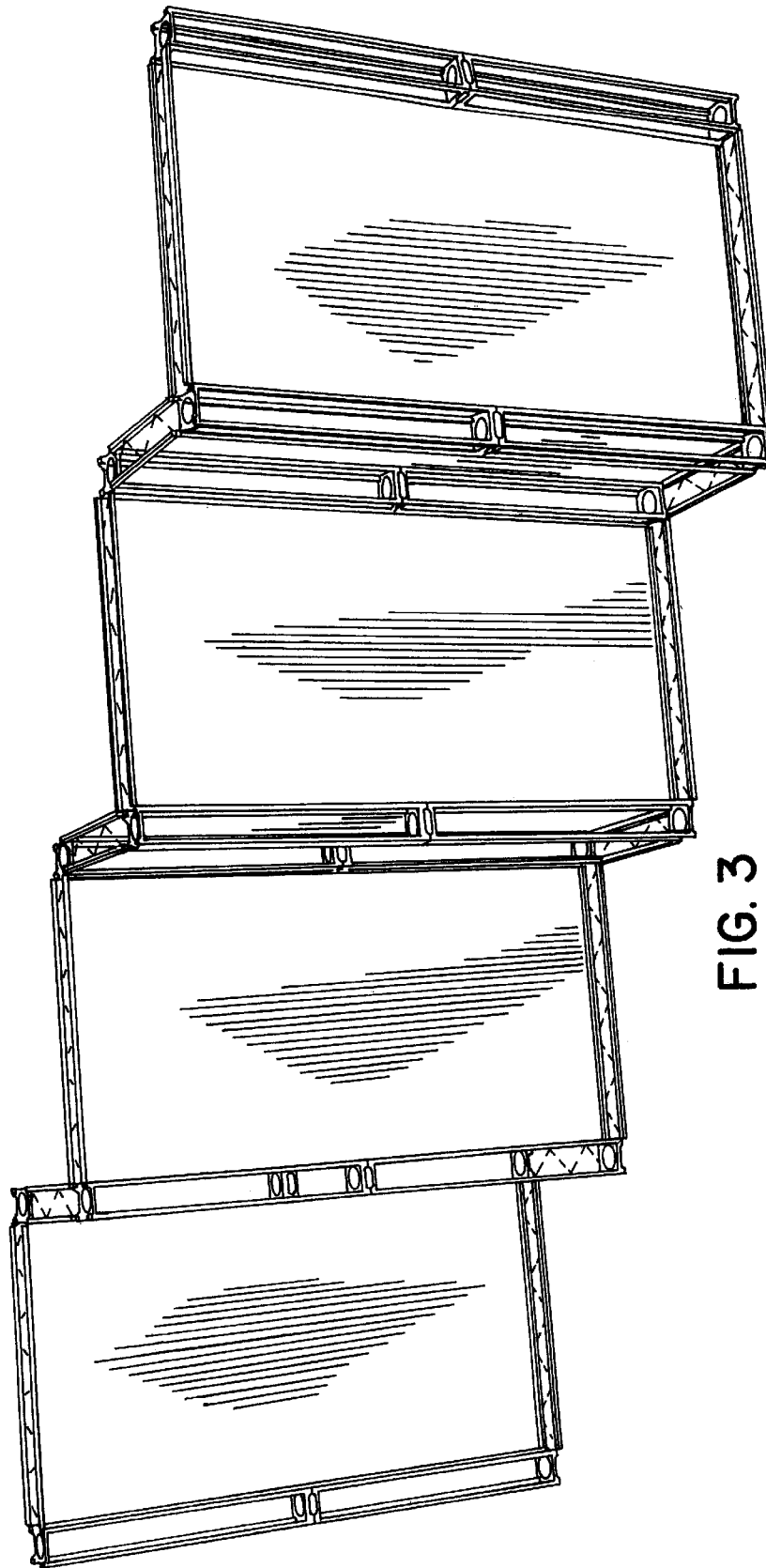


FIG. 3

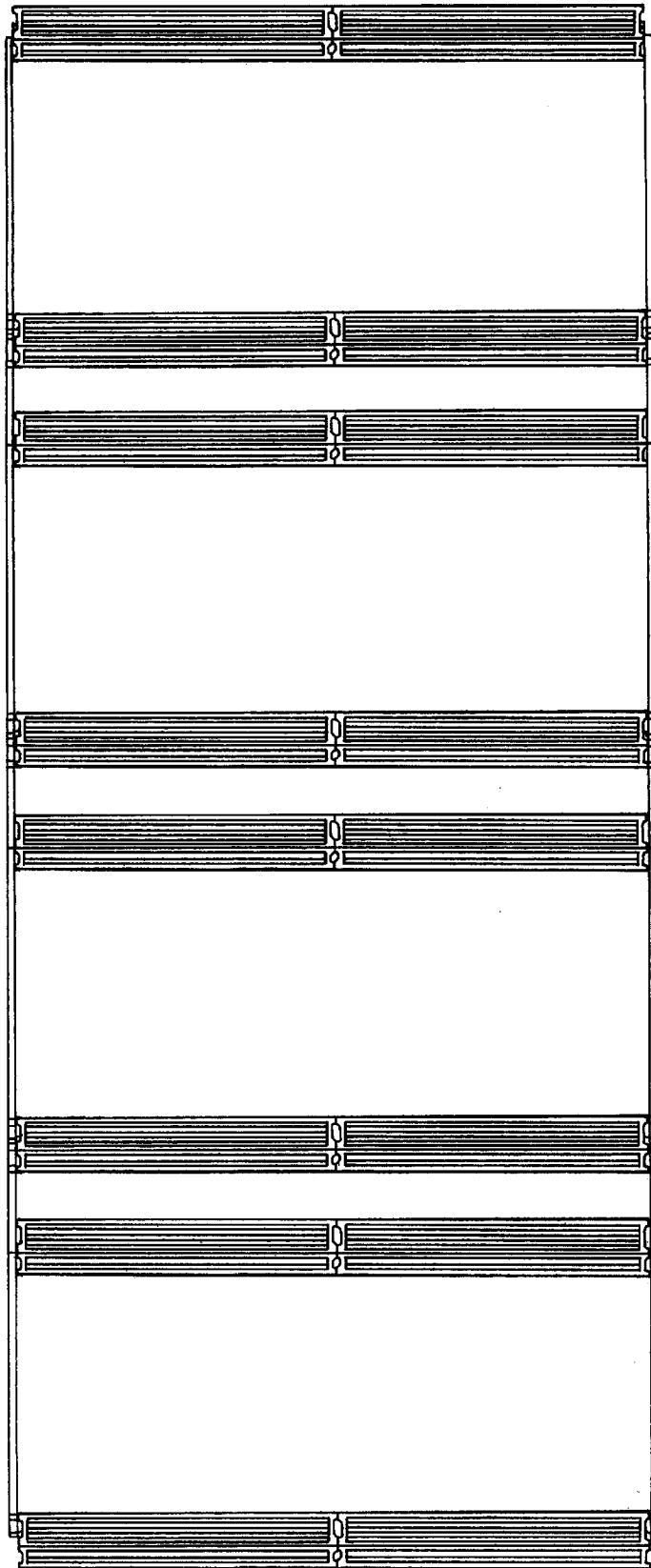


FIG. 4

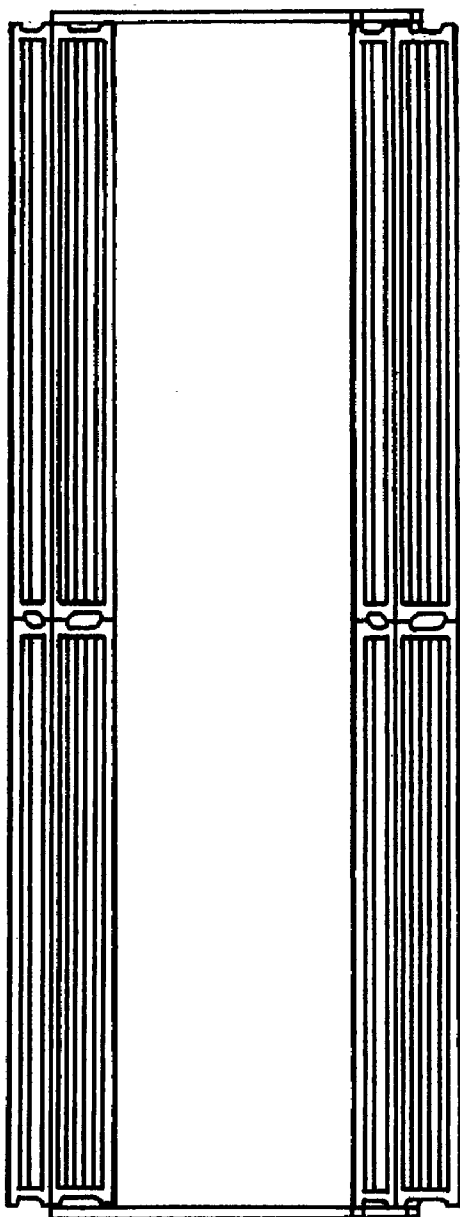


FIG. 5

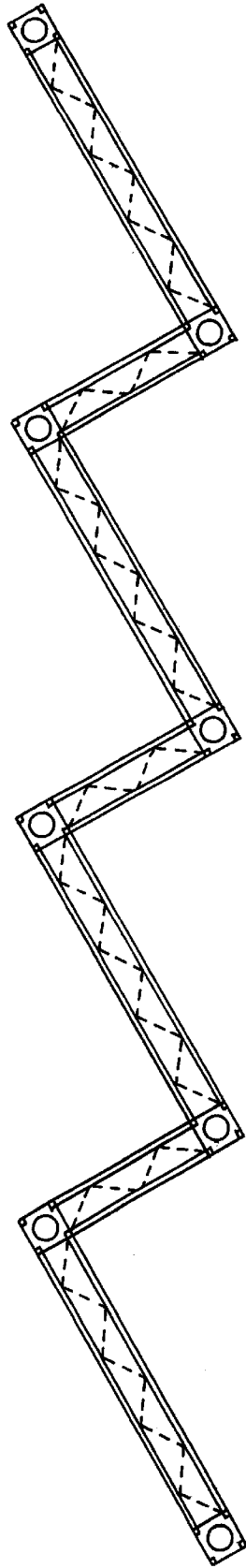


FIG. 6

UNITED STATES PATENT AND TRADEMARK OFFICE
CERTIFICATE OF CORRECTION

PATENT NO. : Des. 508,169 S
APPLICATION NO. : 29/201741
DATED : August 9, 2005
INVENTOR(S) : Dan Berg, Jason Johnson and Mark Fritsche

Page 1 of 1

It is certified that error appears in the above-identified patent and that said Letters Patent is hereby corrected as shown below:

On the title page, item:
(75) Inventors: please add "Mark Fritsche, Eagan, MN" as an inventor

Signed and Sealed this

Twenty-second Day of January, 2008

A handwritten signature in black ink that reads "Jon W. Dudas". The signature is written in a cursive style with a large, looping initial "J".

JON W. DUDAS
Director of the United States Patent and Trademark Office