

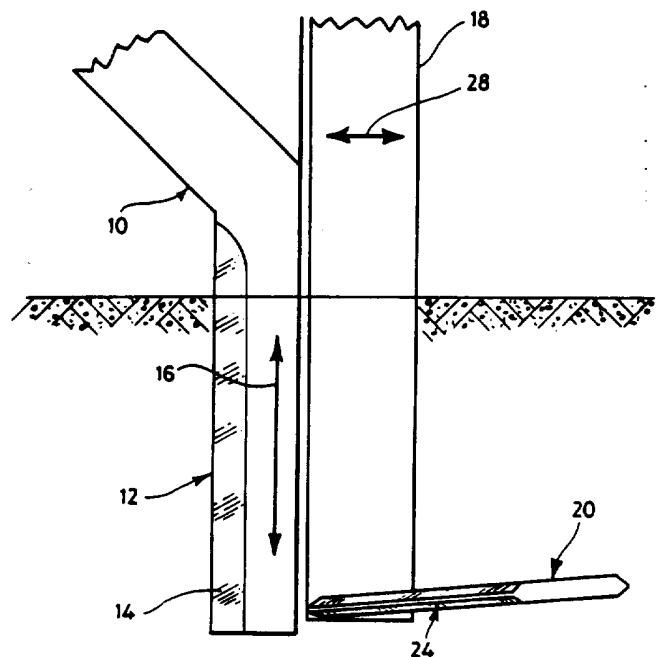


INTERNATIONAL APPLICATION PUBLISHED UNDER THE PATENT COOPERATION TREATY (PCT)

(51) International Patent Classification ⁵ : E02F 5/10, A01B 13/08	A3	(11) International Publication Number: WO 93/05242 (43) International Publication Date: 18 March 1993 (18.03.93)
(21) International Application Number: PCT/GB92/01603 (22) International Filing Date: 2 September 1992 (02.09.92) (30) Priority data: 9118848.2 3 September 1991 (03.09.91) GB (71)(72) Applicant and Inventor: DAVISON, Geoffrey, Wilfred [GB/GB]; 15 High Street, Cottenham, Cambridge CB4 4RX (GB). (74) Agent: KEITH W. NASH & CO.; Pearl Assurance House, 90-92 Regent Street, Cambridge CB2 1DP (GB). (81) Designated States: AU, GB, JP, US, European patent (AT, BE, CH, DE, DK, ES, FR, GB, GR, IE, IT, LU, MC, NL, SE).		Published <i>With international search report.</i> <i>Before the expiration of the time limit for amending the claims and to be republished in the event of the receipt of amendments.</i> (88) Date of publication of the international search report: 29 April 1993 (29.04.93)
(54) Title: SOIL IMPLEMENT		

(57) Abstract

A slitting or tenching tool (10) is described comprising a blade (10) adapted to be lowered vertically into the soil and pulled therethrough so as to define a slit or trench having a depth determined by the mean depth to which the blade (10) penetrates the soil, in which a vibrator causes the blade (10) to vibrate at least in a generally up and down manner at the same time as it is moved in a forward direction. A second blade (18) may be provided which is oscillated in a backwards and forwards manner. The second blade (18) includes wings (20, 22) at its lower end to form a horizontal slit which communicates with the vertical trench or slit formed by the first blade. The second blade (18) may be hollow so that finely divided particulate material may be dispensed therethrough into the trench for backfilling. A pipe or cable dispensing leg (32) may be associated with the blades (10, 18) or situated between them. A tape may be fed into the horizontal slit formed by the second blade (18). Backfilling may be performed both above and below the horizontal slit which contains the tape. Methods of sub-soiling cable and pipe laying with and without marking tape are described.



FOR THE PURPOSES OF INFORMATION ONLY

Codes used to identify States party to the PCT on the front pages of pamphlets publishing international applications under the PCT.

AT	Austria	FR	France	MR	Mauritania
AU	Australia	GA	Gabon	MW	Malawi
BB	Barbados	GB	United Kingdom	NL	Netherlands
BE	Belgium	GN	Guinea	NO	Norway
BF	Burkina Faso	GR	Greece	NZ	New Zealand
BG	Bulgaria	HU	Hungary	PL	Poland
BJ	Benin	IE	Ireland	PT	Portugal
BR	Brazil	IT	Italy	RO	Romania
CA	Canada	JP	Japan	RU	Russian Federation
CF	Central African Republic	KP	Democratic People's Republic of Korea	SD	Sudan
CG	Congo	KR	Republic of Korea	SE	Sweden
CH	Switzerland	LI	Liechtenstein	SK	Slovak Republic
CI	Côte d'Ivoire	LK	Sri Lanka	SN	Senegal
CM	Cameroon	LU	Luxembourg	SU	Soviet Union
CS	Czechoslovakia	MC	Monaco	TD	Chad
CZ	Czech Republic	MG	Madagascar	TG	Togo
DE	Germany	ML	Mali	UA	Ukraine
DK	Denmark	MN	Mongolia	US	United States of America
ES	Spain			VN	Viet Nam
FI	Finland				