



US0D1027774S

(12) **United States Design Patent**
Liu et al.

(10) **Patent No.:** **US D1,027,774 S**

(45) **Date of Patent:** **** May 21, 2024**

(54) **VEHICLE WHEEL**

(71) Applicant: **CITIC Dicastal Co., Ltd.**,
Qinhuangdao (CN)

(72) Inventors: **Zhichong Liu**, Qinhuangdao (CN); **Zuo Xu**, Qinhuangdao (CN); **Hanqi Wu**, Qinhuangdao (CN); **Zhijia Zhu**, Qinhuangdao (CN)

(73) Assignee: **CITIC Dicastal Co., Ltd.**,
Qinhuangdao (CN)

(**) Term: **15 Years**

(21) Appl. No.: **29/813,199**

(22) Filed: **Oct. 27, 2021**

(51) **LOC (14) Cl.** **12-16**

(52) **U.S. Cl.**

USPC **D12/209**

(58) **Field of Classification Search**

USPC D12/204-213, 501; D21/563, 779
CPC B60B 7/00; B60B 7/01; B60B 7/02; B60B 7/04; B60B 7/06; B60B 3/02; B60B 3/04; B60B 3/06; B60B 3/10; B60B 1/00; B60B 1/08; B60B 1/10; B60B 1/12

See application file for complete search history.

(56) **References Cited**

U.S. PATENT DOCUMENTS

D649,502 S *	11/2011	Platto	D12/209
D740,193 S *	10/2015	Battams	D12/209
D828,268 S *	9/2018	Nakamura	D12/209
D841,551 S *	2/2019	Kanai	D12/209
D849,641 S *	5/2019	Tovey	D12/209
D852,699 S *	7/2019	Liu	D12/209
D865,627 S *	11/2019	Chi	D12/209
D878,273 S *	3/2020	Tovey	D12/209
D928,685 S *	8/2021	Tamaki	D12/209
D978,046 S *	2/2023	Skelley	D12/209

* cited by examiner

Primary Examiner — Mark A Goodwin

Assistant Examiner — Adam C Mager

(74) *Attorney, Agent, or Firm* — IPro, PLLC

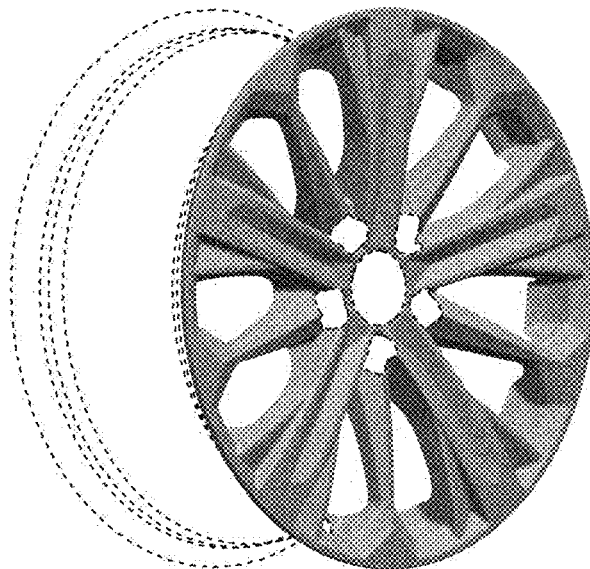
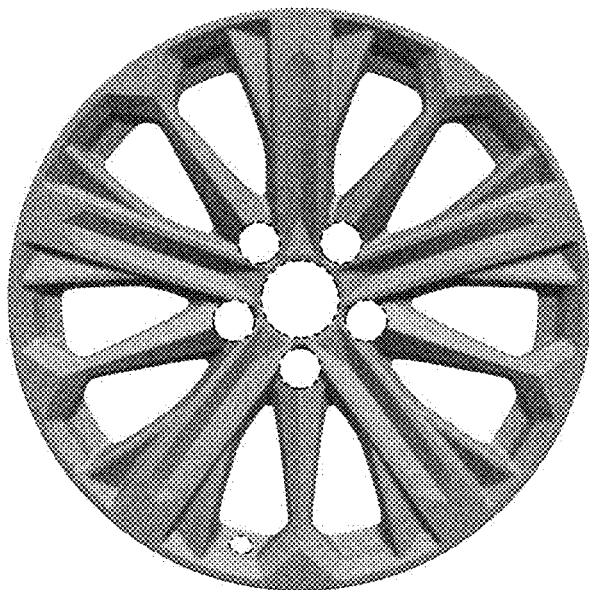
(57) **CLAIM**

The ornamental design for a vehicle wheel, as shown and described.

DESCRIPTION

FIG. 1 is a front view of a vehicle wheel.
FIG. 2 is a perspective view of the vehicle wheel; and,
FIG. 3 is a left side view of the vehicle wheel.
In the drawings the broken lines depict portions of the wheel that form no part of the claimed design.

1 Claim, 3 Drawing Sheets



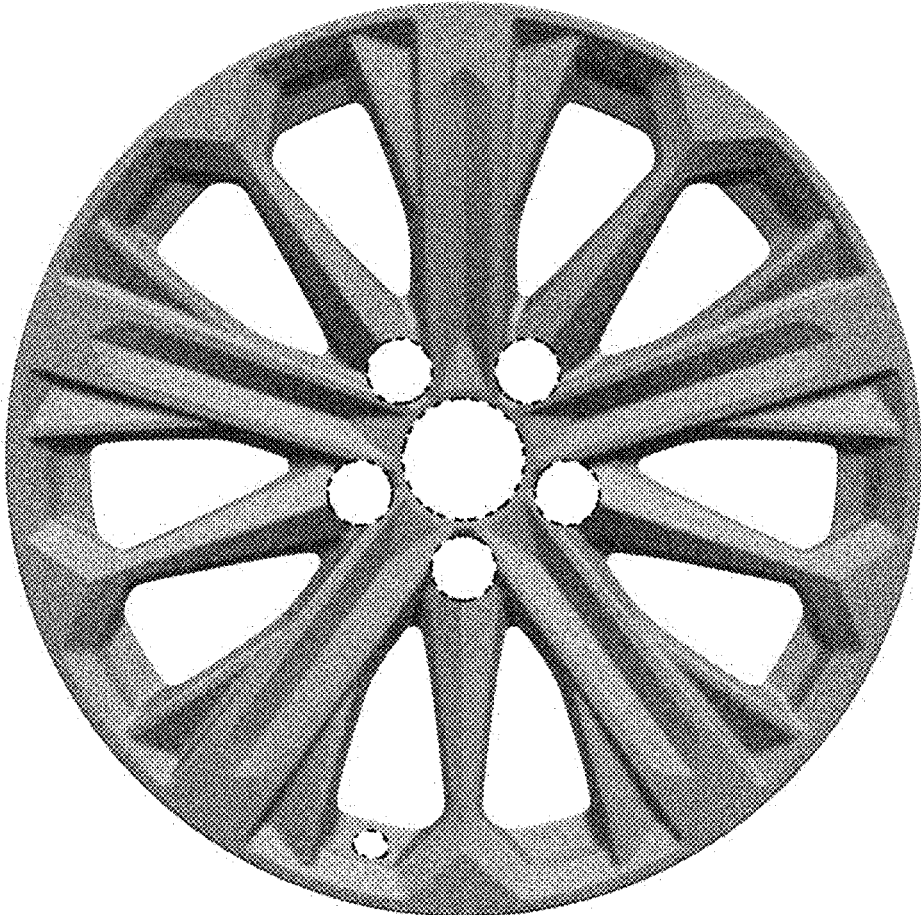


FIG. 1

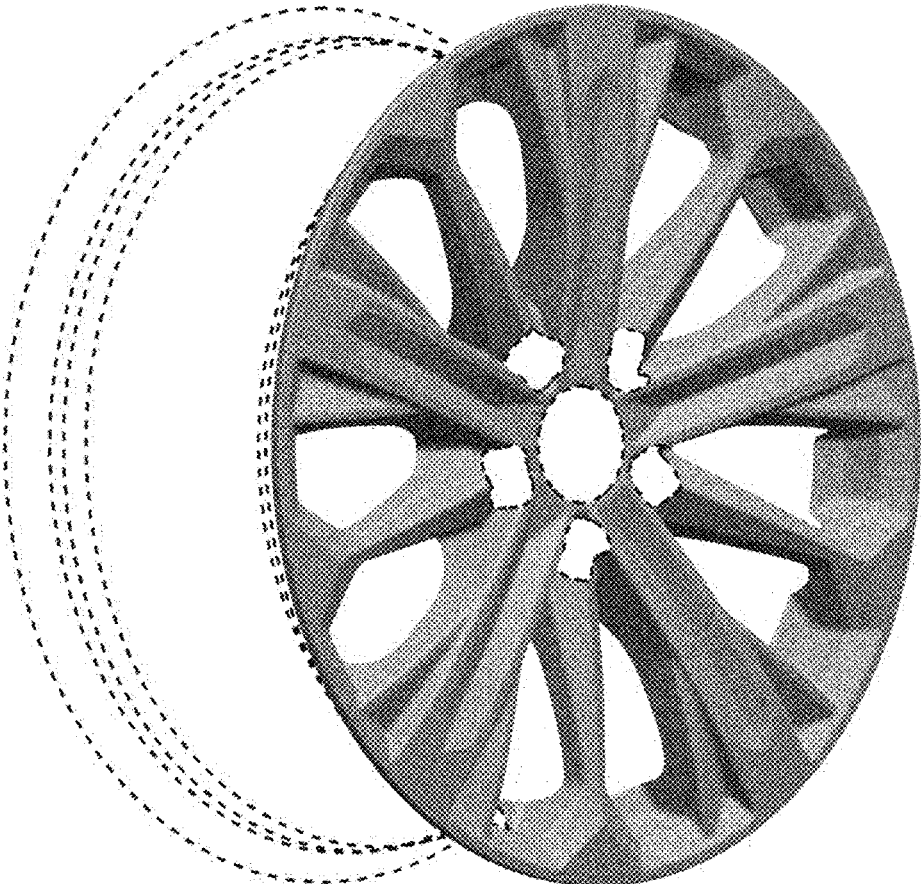


FIG. 2

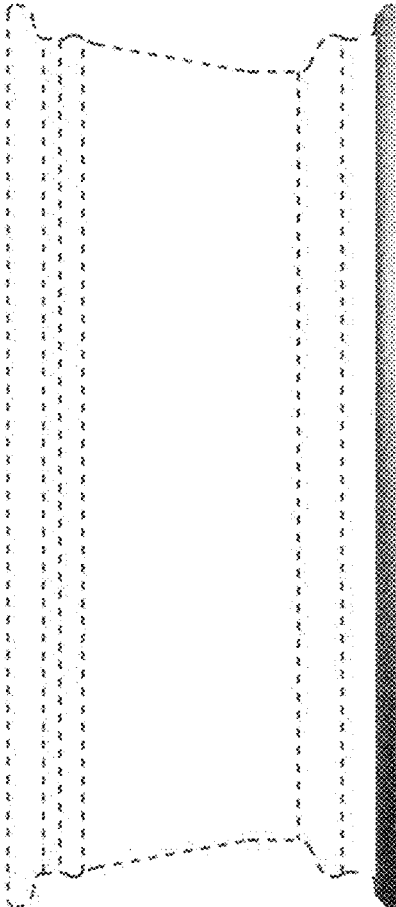


FIG. 3