



US00D764903S

(12) **United States Design Patent**
Sanfilippo et al.

(10) **Patent No.:** **US D764,903 S**

(45) **Date of Patent:** **** Aug. 30, 2016**

(54) **PACKAGE**

(71) Applicant: **CLEAR LAM PACKAGING, INC.**,
Elk Grove Village, IL (US)

(72) Inventors: **James J. Sanfilippo**, Barrington Hills,
IL (US); **Milorad Radenovic**, Chicago,
IL (US); **Ricardo Costa**, Schaumburg,
IL (US)

(73) Assignee: **CLEAR LAM PACKAGING, INC.**,
Elk Grove Village, IL (US)

(**) Term: **15 Years**

(21) Appl. No.: **29/531,404**

(22) Filed: **Jun. 25, 2015**

(51) **LOC (10) Cl.** **09-03**

(52) **U.S. Cl.**

USPC **D9/416**

(58) **Field of Classification Search**

USPC D9/414-419, 432, 499, 722, 703, 434,
D9/423; D19/28; 229/103.2, 117.13

CPC B65D 75/5833; B65D 71/36

See application file for complete search history.

(56) **References Cited**

U.S. PATENT DOCUMENTS

D274,824 S * 7/1984 Hunt D19/28
7,100,769 B2 * 9/2006 Toure B65D 75/5833
206/233

(Continued)

OTHER PUBLICATIONS

Design U.S. Appl. No. 29/440,136, "Package", Sanfilippo et al.,
filed Dec. 19, 2012.

(Continued)

Primary Examiner — Holly Baynham

Assistant Examiner — Rhea Shields

(74) *Attorney, Agent, or Firm* — Marshall, Gerstein &
Borun LLP

(57) **CLAIM**

The ornamental design for a package, as shown and
described.

DESCRIPTION

FIG. 1 is a front, right-side, and top view of a package;
showing the first embodiment of our new design, with the lid
in a closed position;

FIG. 2 is a top plan view of the package.

FIG. 3 is a front elevation view of the package.

FIG. 4 is a right-side elevation view of the package.

FIG. 5 is a back elevation view of the package.

FIG. 6 is a left-side elevation view of the package.

FIG. 7 is a bottom plan view of the package.

FIG. 8 is front, left-side, and top view of the package.

FIG. 9 is a front, right-side, and bottom view of the package.

FIG. 10 is a back, right-side, and top view of the package.

FIG. 11 is a front, right-side, and top view of a package, with
the lid in an open position.

FIG. 12 is a top plan view of the package.

FIG. 13 is a front elevation view of the package.

FIG. 14 is a right-side elevation view of the package.

FIG. 15 is a back elevation view of the package.

FIG. 16 is a left-side elevation view of the package.

FIG. 17 is a bottom plan view of the package.

FIG. 18 is front, left-side, and top view of the package.

FIG. 19 is a front, right-side, and bottom view of the
package.

FIG. 20 is a back, right-side, and top view of the package.

FIG. 21 is a front, right-side, and top view of a taller
package; showing the second embodiment of our new
design, as shown in FIGS. 1-20;

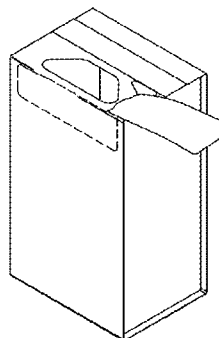
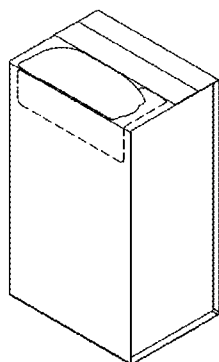
FIG. 22 is a front, right-side, and top view of a shorter
package; showing the third embodiment of our new design,
as shown in FIGS. 1-20;

FIG. 23 is a front, right-side, and top view of a wider
package; showing the fourth embodiment of our new design,
as shown in FIGS. 1-20; and,

FIG. 24 is a front, right-side, and top view of a deeper
package; showing the fifth embodiment of our new design,
as shown in FIGS. 1-20.

In the drawings, the broken lines are for the purpose of
illustrating environment only and form no part of the
claimed design.

1 Claim, 16 Drawing Sheets



(56)

References Cited

U.S. PATENT DOCUMENTS

D623,513 S * 9/2010 Kelly D9/423
8,453,919 B2 * 6/2013 Eckermann B65D 71/36
229/117.13
D696,107 S * 12/2013 Kimple D9/416
D721,575 S * 1/2015 Paboojian D9/423
D726,535 S * 4/2015 Sanfilippo D9/434
D734,144 S * 7/2015 Sanfilippo D9/416
D738,202 S * 9/2015 Stone D9/418
D740,114 S * 10/2015 Sanfilippo D9/416
D743,271 S * 11/2015 Bellingham, IV D9/703
D745,389 S * 12/2015 Roquemore D9/418
D746,672 S * 1/2016 McNamee D9/416
D746,673 S * 1/2016 Sanfilippo D9/416

D747,646 S * 1/2016 Sanfilippo D9/416
D749,945 S * 2/2016 Katopo D9/432
D750,477 S * 3/2016 Sanfilippo D9/416
2007/0199979 A1 * 8/2007 Holley B65D 71/36
229/103.2

OTHER PUBLICATIONS

Design U.S. Appl. No. 29/472,436, "Package", Sanfilippo et al.,
filed Nov. 12, 2013.
Design U.S. Appl. No. 29/472,440, "Package", Sanfilippo et al.,
filed Nov. 12, 2013.
Design U.S. Appl. No. 29/484,311, "Packages", Sanfilippo et al.,
filed Mar. 7, 2014.

* cited by examiner

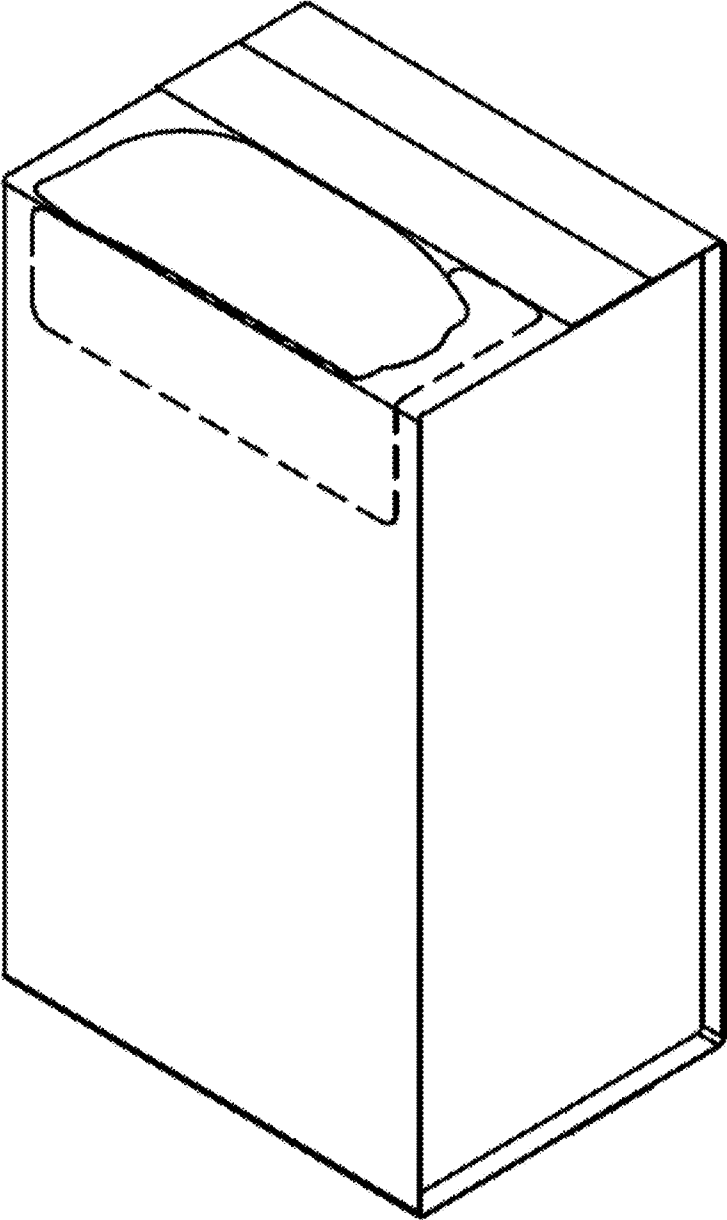


Fig. 1

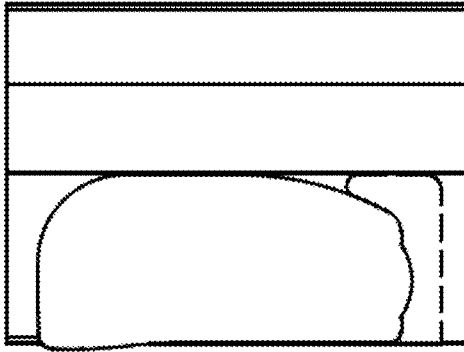


Fig. 2

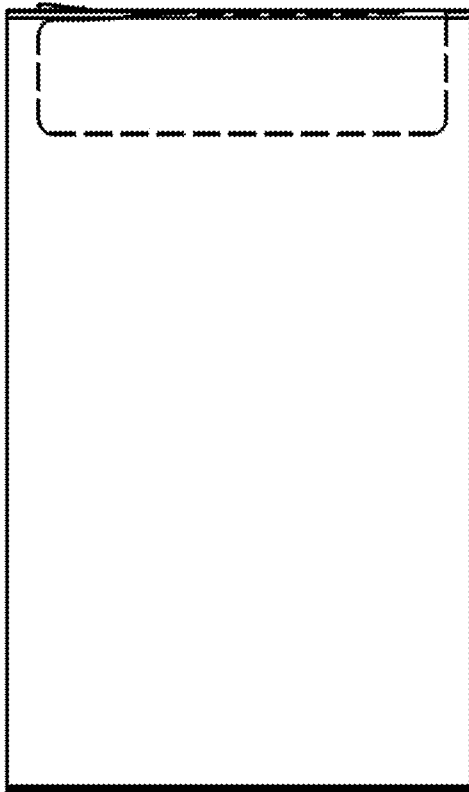


Fig. 3

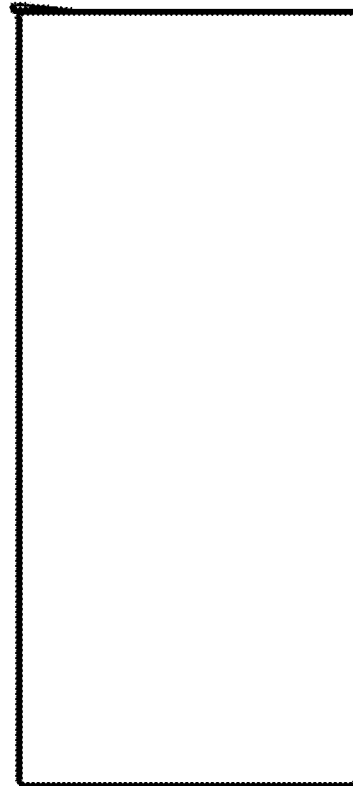


Fig. 4

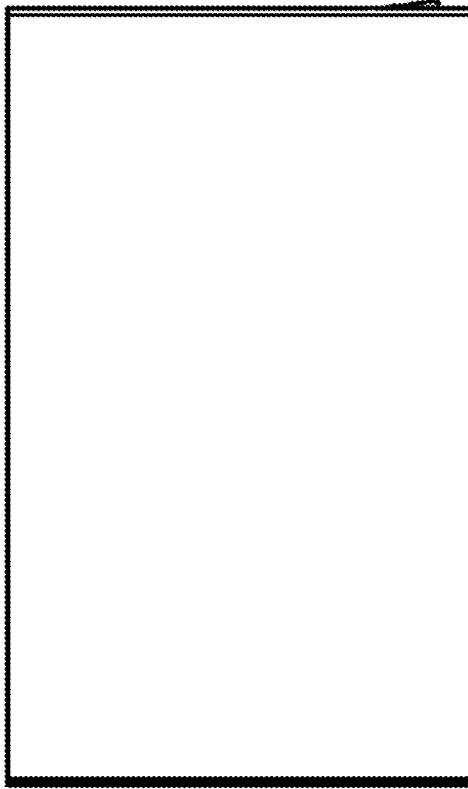


Fig. 5

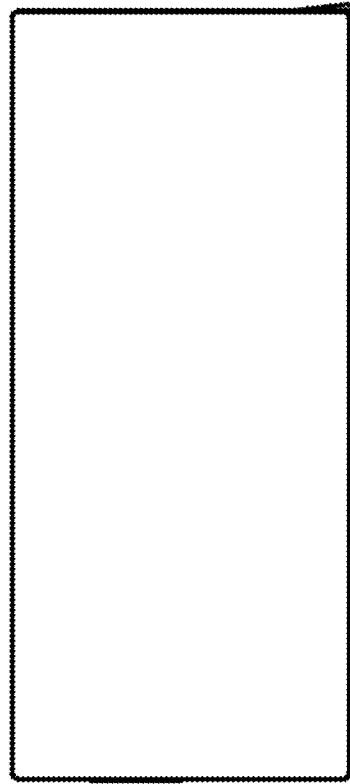


Fig. 6

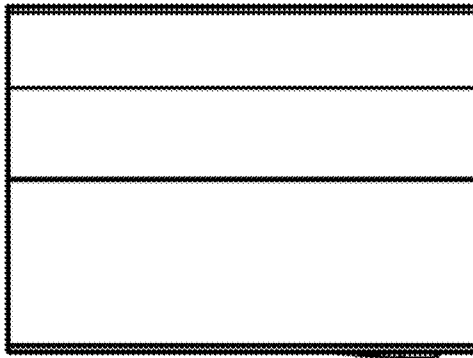


Fig. 7

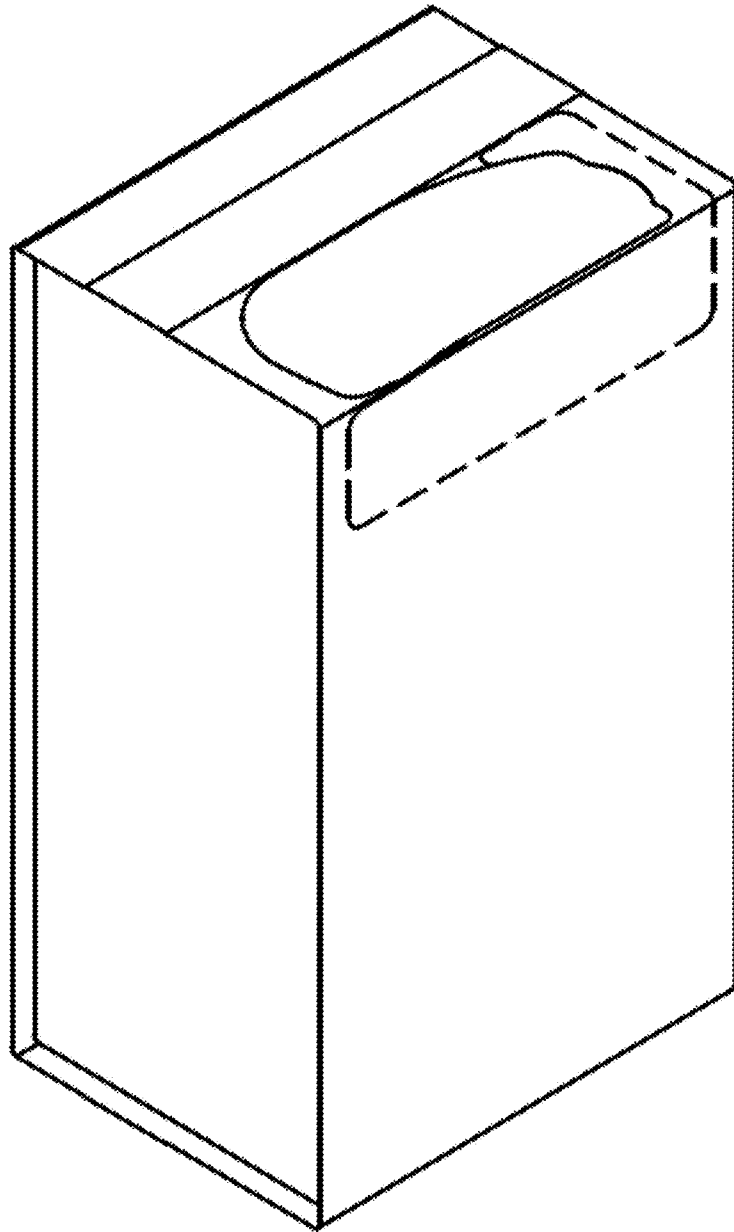


Fig. 8

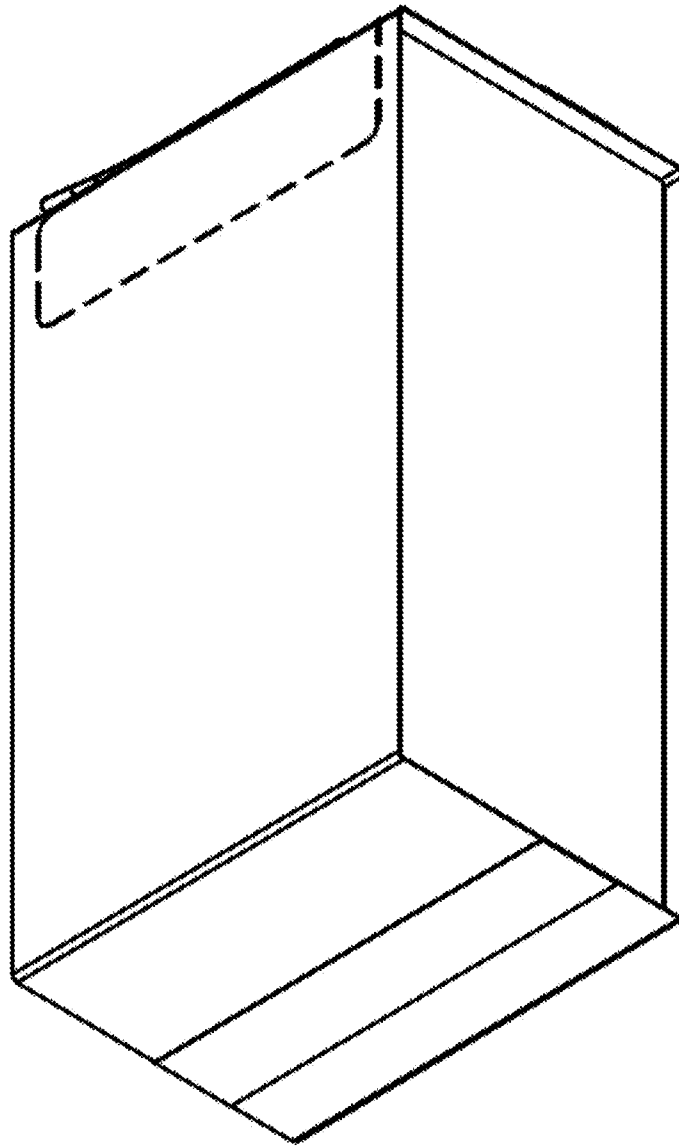


Fig. 9

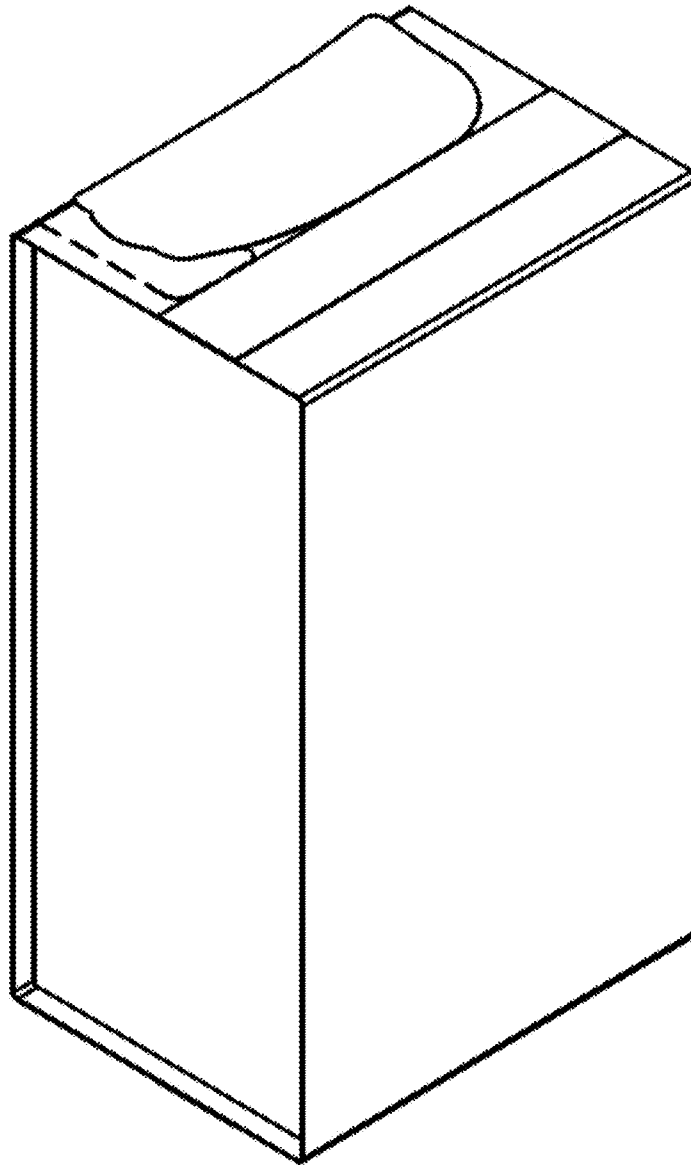


Fig. 10

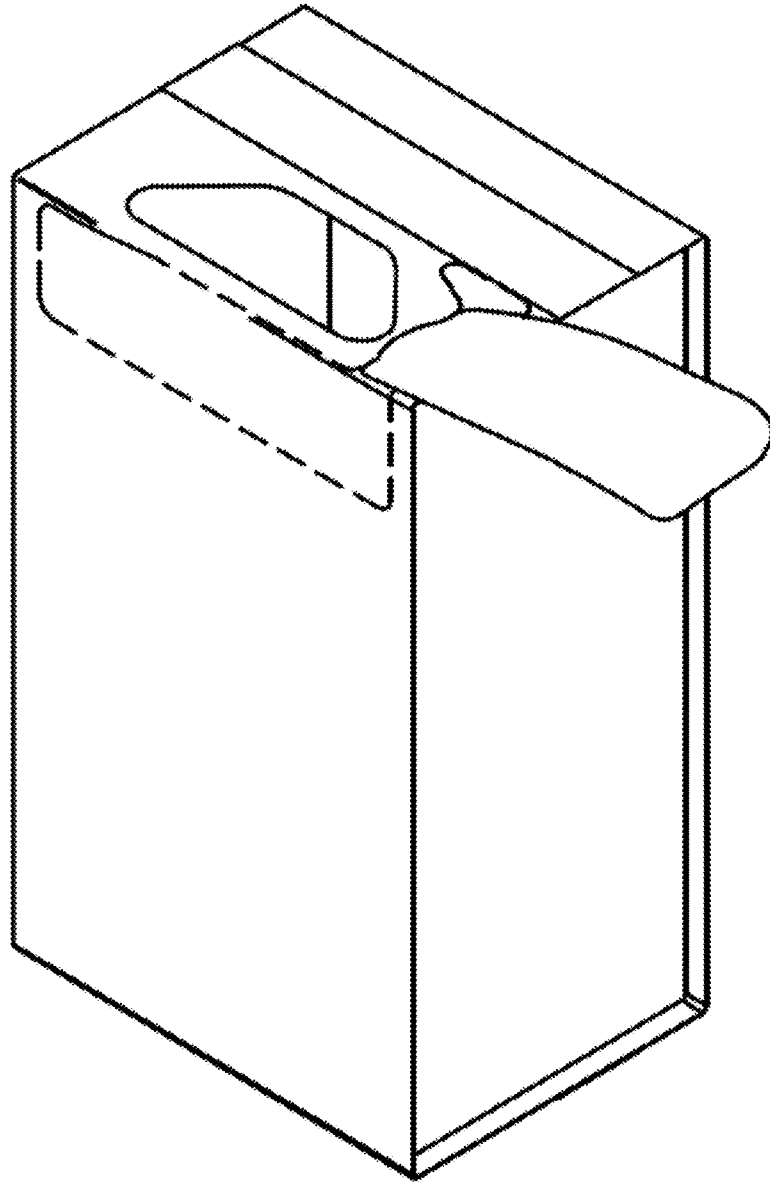


Fig. 11

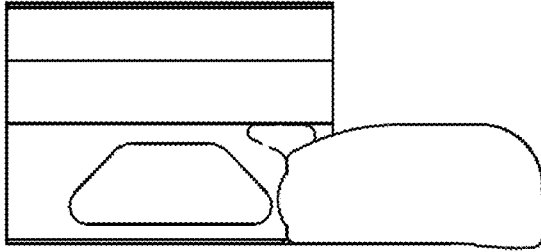


Fig. 12

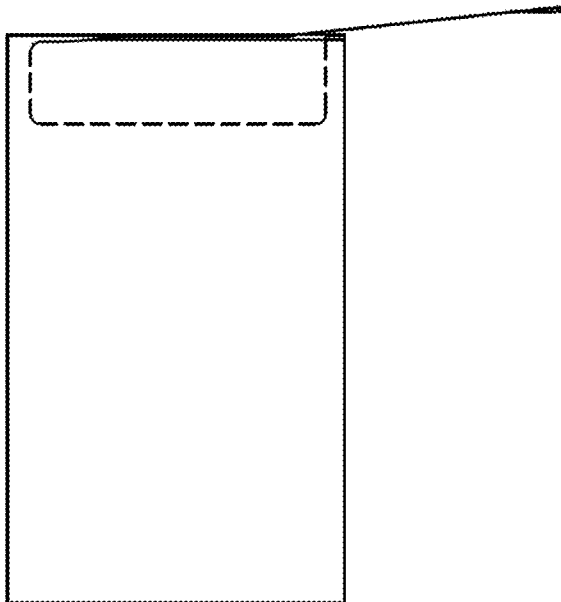


Fig. 13

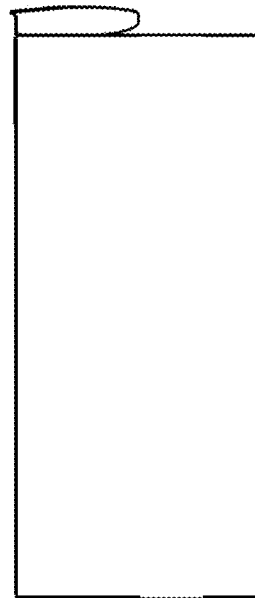


Fig. 14

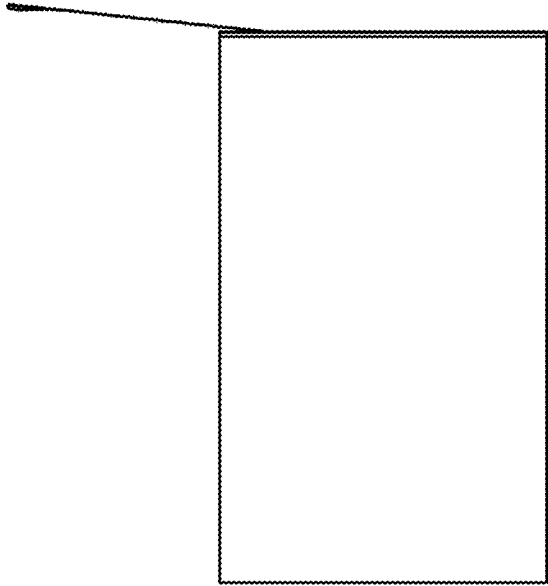


Fig. 15

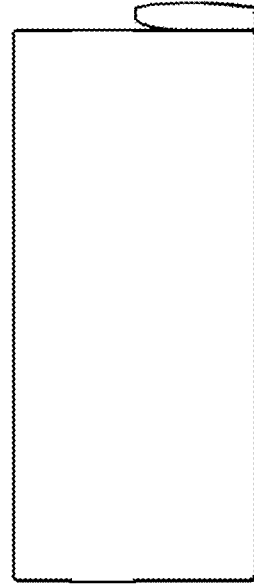


Fig. 16

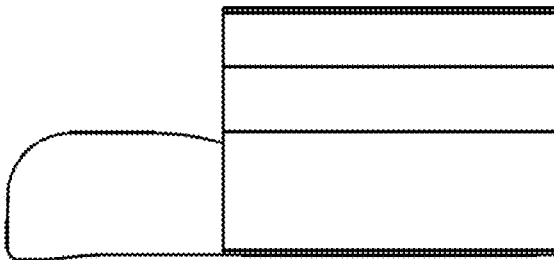


Fig. 17

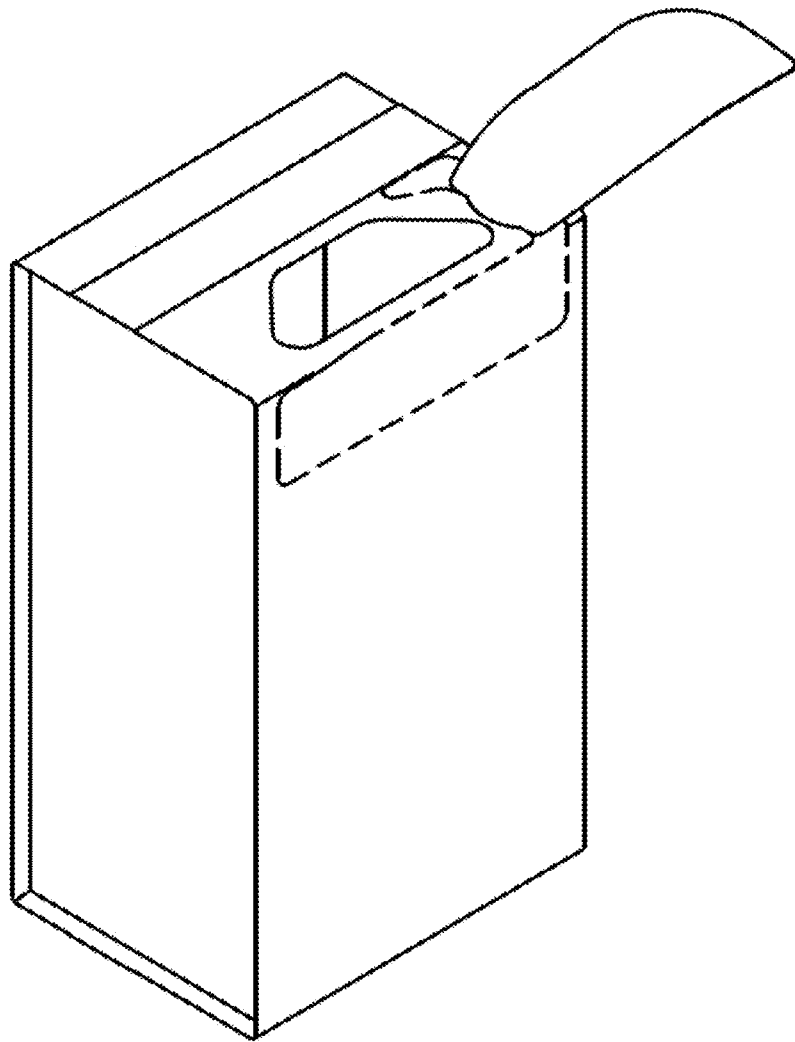


Fig. 18

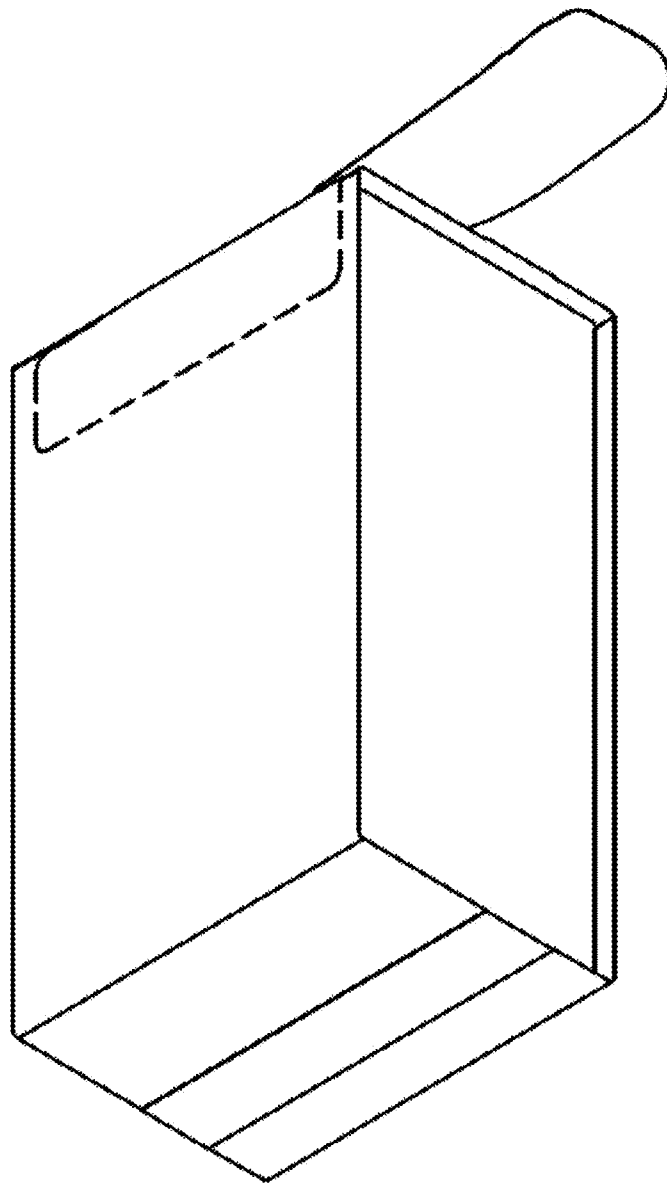


Fig. 19

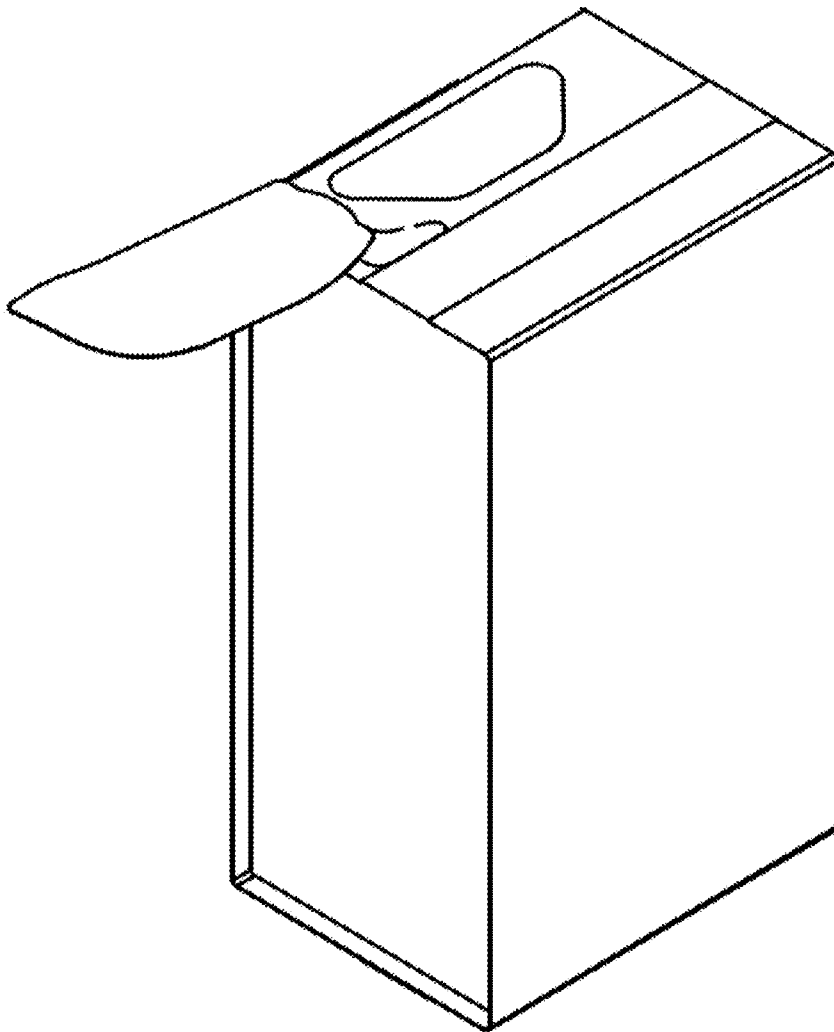


Fig. 20

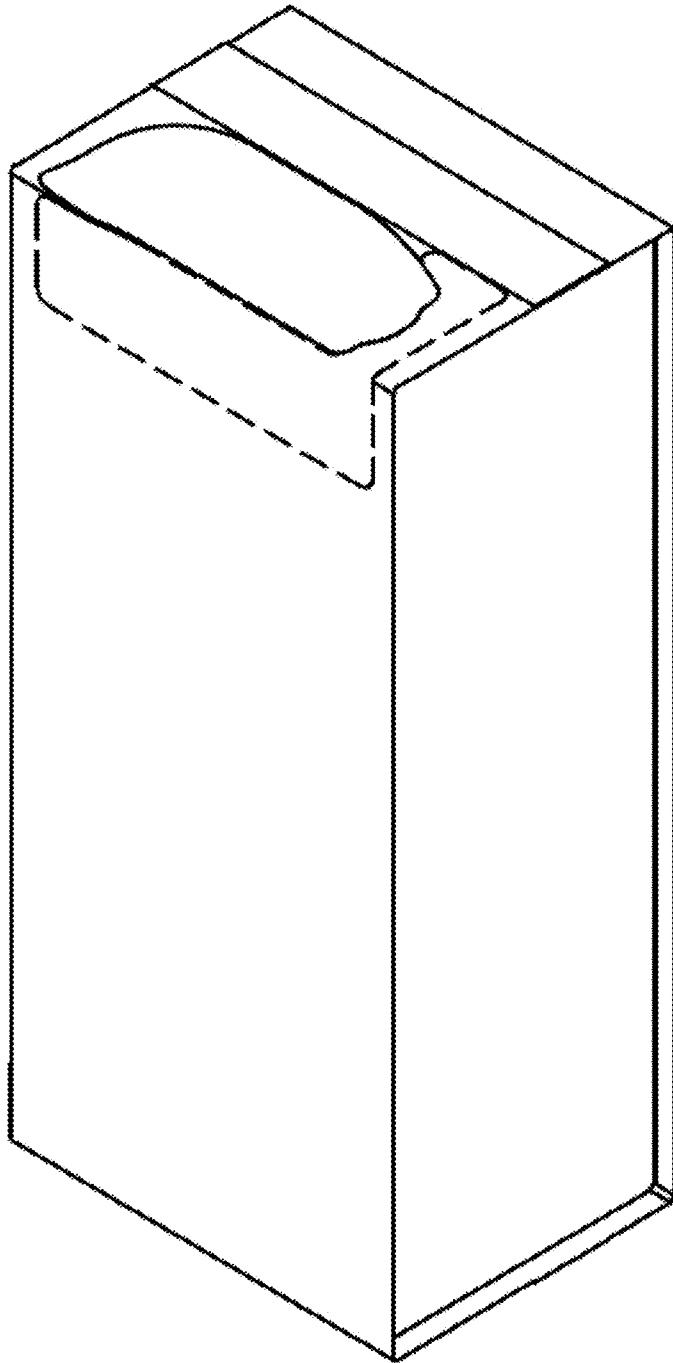


Fig. 21

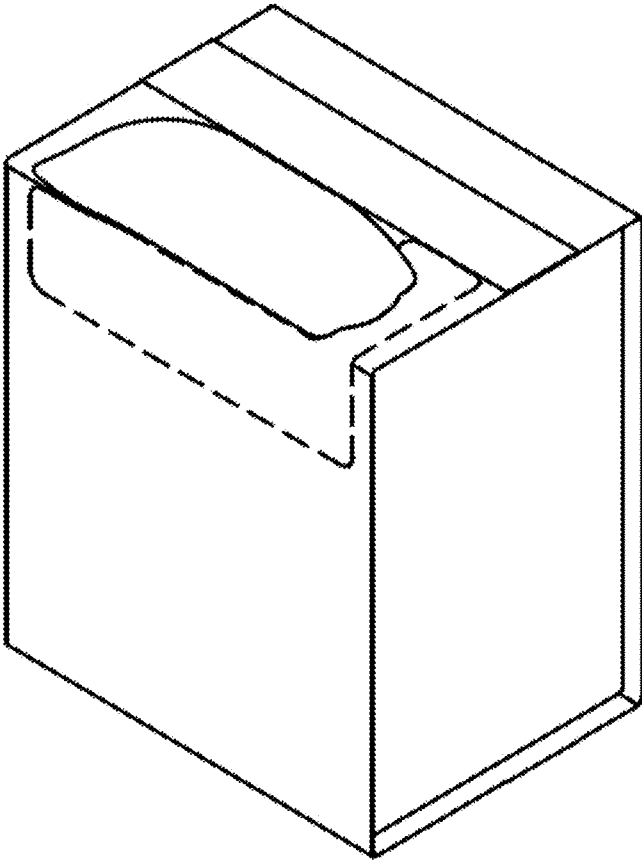


Fig. 22

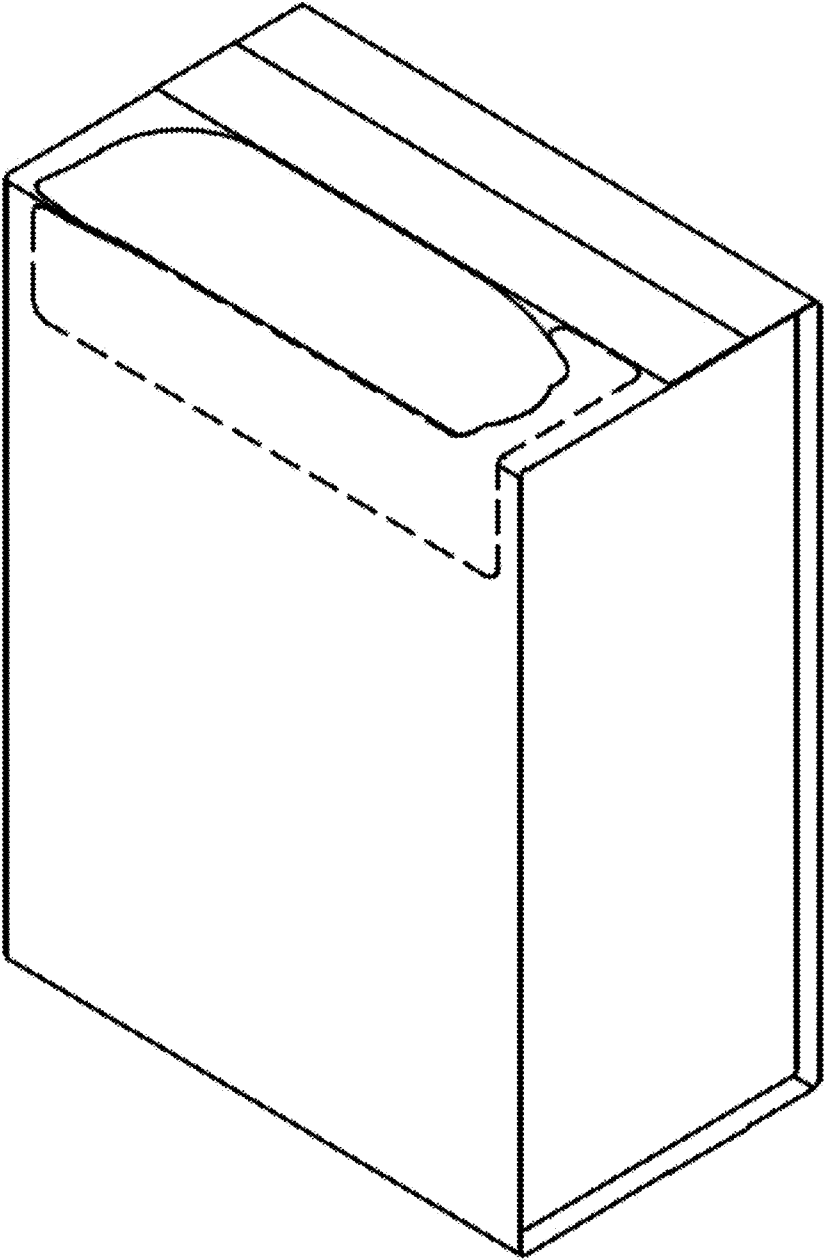


Fig. 23

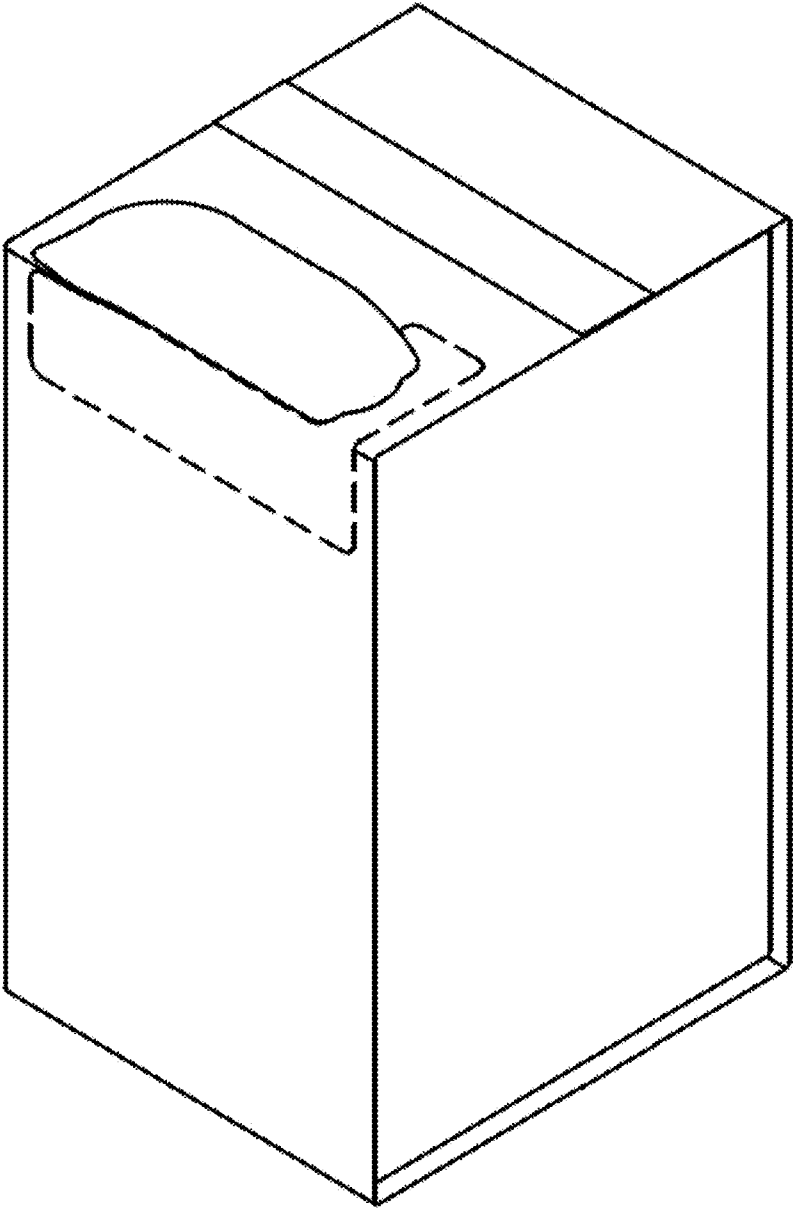


Fig. 24