



(51) International Patent Classification:

F25D 11/00 (2006.01) F25D 17/04 (2006.01)
F25D 16/00 (2006.01) F25D 23/00 (2006.01)

(74) Agent: **CICCARELLO, Basilio**; c/o INGENIIS S.a.s. di B. Ciccarello e C., Via Antonio De Berti, 24, I-00143 Roma (IT).

(21) International Application Number:

PCT/IT2012/000033

(81) Designated States (unless otherwise indicated, for every kind of national protection available): AE, AG, AL, AM, AO, AT, AU, AZ, BA, BB, BG, BH, BR, BW, BY, BZ, CA, CH, CL, CN, CO, CR, CU, CZ, DE, DK, DM, DO, DZ, EC, EE, EG, ES, FI, GB, GD, GE, GH, GM, GT, HN, HR, HU, ID, IL, IN, IS, JP, KE, KG, KM, KN, KP, KR, LA, LC, LK, LR, LS, LT, LU, LY, MA, MD, ME, MG, MK, MN, MW, MX, MY, MZ, NA, NG, NI, NO, NZ, OM, PE, PG, PH, PL, PT, QA, RO, RS, RU, RW, SC, SD, SE, SG, SK, SL, SM, ST, SV, SY, TH, TJ, TM, TN, TR, TT, TZ, UA, UG, US, UZ, VC, VN, ZA, ZM, ZW.

(22) International Filing Date:

1 February 2012 (01.02.2012)

(25) Filing Language:

Italian

(26) Publication Language:

English

(30) Priority Data:

FI2011A000018 2 February 2011 (02.02.2011) IT

(71) Applicant (for all designated States except US): **C.P.S.I.** [IT/IT]; Consulenze Progettazioni & Servizi Integrati S.R.L., Via Roma, 57, I-50060 Londa (FI) (IT).

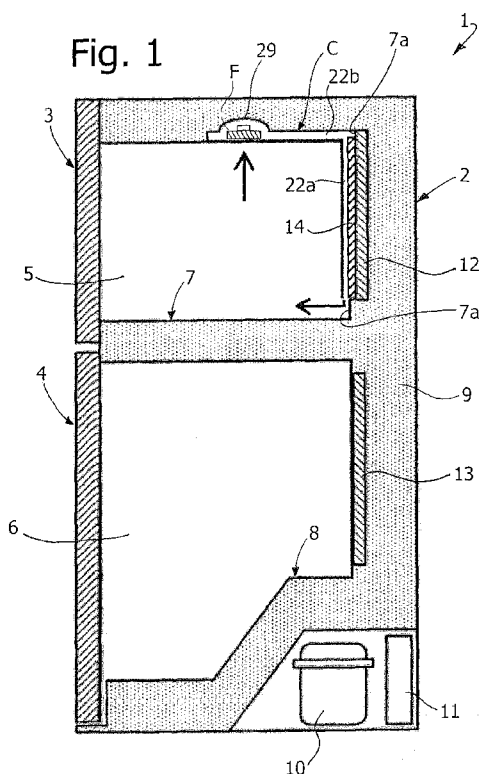
(84) Designated States (unless otherwise indicated, for every kind of regional protection available): ARIPO (BW, GH, GM, KE, LR, LS, MW, MZ, NA, RW, SD, SL, SZ, TZ, UG, ZM, ZW), Eurasian (AM, AZ, BY, KG, KZ, MD, RU, TJ, TM), European (AL, AT, BE, BG, CH, CY, CZ, DE, DK, EE, ES, FI, FR, GB, GR, HR, HU, IE, IS, IT, LT, LU, LV, MC, MK, MT, NL, NO, PL, PT, RO, RS, SE, SI, SK, SM, TR), OAPI (BF, BJ, CF, CG, CI, CM, GA, GN, GQ, GW, ML, MR, NE, SN, TD, TG).

(72) Inventor; and

(75) Inventor/Applicant (for US only): **BRACCINI, Maria Laura** [IT/IT]; Via Roma, 57, I-50060 Londa (FI) (IT).

[Continued on next page]

(54) Title: REFRIGERATING APPLIANCE



(57) Abstract: A refrigerating appliance has a cabinet (2) with a storage compartment (5) delimited by a body (7), and a refrigerant circuit. The storage compartment (5) is cooled by an evaporator (12), which is mounted parallel near a first wall (7a) of the body (7). Mounted in a fixed position in correspondence of the first wall (7a) is also a thermal accumulator (14) containing eutectic material, which extends with its larger face in thermal contact with a surface of the first wall (7a). In correspondence of the first wall (7a), the body (7) defines integrally a seat (15) having a slot (16) for the insertion of the thermal accumulator (14). The slot (16) is formed in the body (7) in correspondence of a connecting zone between the first wall (7a) and a second wall (7d) of the body (7) adjacent to the first wall (7a).

WO 2012/104884 A3

Published:

— *with international search report (Art. 21(3))*

(88) Date of publication of the international search report:

20 December 2012

INTERNATIONAL SEARCH REPORT

International application No
PCT/IT2012/000033

A. CLASSIFICATION OF SUBJECT MATTER
 INV. F25D11/00 F25D16/00 F25D17/04 F25D23/00
 ADD.
 According to International Patent Classification (IPC) or to both national classification and IPC

B. FIELDS SEARCHED
 Minimum documentation searched (classification system followed by classification symbols)
 F25D F25B

Documentation searched other than minimum documentation to the extent that such documents are included in the fields searched

Electronic data base consulted during the international search (name of data base and, where practicable, search terms used)
 EPO-Internal

C. DOCUMENTS CONSIDERED TO BE RELEVANT

Category*	Citation of document, with indication, where appropriate, of the relevant passages	Relevant to claim No.
Y	JP 6 026748 A (SANDEN CORP) 4 February 1994 (1994-02-04) the whole document	1-15
Y	JP 2002 145342 A (SANKO CO LTD) 22 May 2002 (2002-05-22) abstract; figures 1-3	1-15
Y	WO 2005/090881 A1 (DRYZUN NATHAN [AU]; MOBILE REFRIGERATED AIR PTY LT [AU]) 29 September 2005 (2005-09-29) page 11, line 17 - page 12, line 7; figures 4-7	6-11,14, 15
Y	FR 2 718 834 A1 (FAFOURNOUX BERNARD [FR]) 20 October 1995 (1995-10-20) the whole document	10,11
	----- -/--	

Further documents are listed in the continuation of Box C.

See patent family annex.

* Special categories of cited documents :

<p>"A" document defining the general state of the art which is not considered to be of particular relevance</p> <p>"E" earlier application or patent but published on or after the international filing date</p> <p>"L" document which may throw doubts on priority claim(s) or which is cited to establish the publication date of another citation or other special reason (as specified)</p> <p>"O" document referring to an oral disclosure, use, exhibition or other means</p> <p>"P" document published prior to the international filing date but later than the priority date claimed</p>	<p>"T" later document published after the international filing date or priority date and not in conflict with the application but cited to understand the principle or theory underlying the invention</p> <p>"X" document of particular relevance; the claimed invention cannot be considered novel or cannot be considered to involve an inventive step when the document is taken alone</p> <p>"Y" document of particular relevance; the claimed invention cannot be considered to involve an inventive step when the document is combined with one or more other such documents, such combination being obvious to a person skilled in the art</p> <p>"&" document member of the same patent family</p>
---	---

Date of the actual completion of the international search 17 August 2012	Date of mailing of the international search report 31/08/2012
---	--

Name and mailing address of the ISA/ European Patent Office, P.B. 5818 Patentlaan 2 NL - 2280 HV Rijswijk Tel. (+31-70) 340-2040, Fax: (+31-70) 340-3016	Authorized officer Léandre, Arnaud
--	---

INTERNATIONAL SEARCH REPORT

International application No
PCT/IT2012/000033

C(Continuation). DOCUMENTS CONSIDERED TO BE RELEVANT		
Category*	Citation of document, with indication, where appropriate, of the relevant passages	Relevant to claim No.
A	JP 5 296642 A (SANDEN CORP) 9 November 1993 (1993-11-09) abstract; figures 1-6 -----	3,6,7
A	WO 2010/123405 A1 (PETROV SERGEY IVANOVICH [RU]; GRAMSH VLADIMIR ANATOLIEVICH [RU]) 28 October 2010 (2010-10-28) abstract -----	1,10

INTERNATIONAL SEARCH REPORT

Information on patent family members

International application No PCT/IT2012/000033

Patent document cited in search report	Publication date	Patent family member(s)	Publication date	
JP 6026748	A	04-02-1994	JP 2501997 B2 JP 6026748 A	29-05-1996 04-02-1994

JP 2002145342	A	22-05-2002	NONE	

WO 2005090881	A1	29-09-2005	US 2007175236 A1 WO 2005090881 A1	02-08-2007 29-09-2005

FR 2718834	A1	20-10-1995	AT 157442 T DE 69500621 D1 DE 69500621 T2 EP 0754284 A1 FR 2718834 A1 WO 9528608 A1	15-09-1997 02-10-1997 02-04-1998 22-01-1997 20-10-1995 26-10-1995

JP 5296642	A	09-11-1993	JP 3197053 B2 JP 5296642 A	13-08-2001 09-11-1993

WO 2010123405	A1	28-10-2010	RU 2009114582 A WO 2010123405 A1	27-10-2010 28-10-2010
