



US00D500026S

(12) **United States Design Patent**
Sato et al.

(10) **Patent No.:** **US D500,026 S**

(45) **Date of Patent:** **** Dec. 21, 2004**

(54) **OPTICAL PICKUP**

(75) Inventors: **Yoshiaki Sato, Yamagata (JP); Atsushi Okuyama, Yamagata (JP); Hiroyuki Okuda, Yamagata (JP)**

(73) Assignee: **Mitsumi Electric Co., Ltd., Tokyo (JP)**

(**) Term: **14 Years**

(21) Appl. No.: **29/185,096**

(22) Filed: **Jun. 24, 2003**

(30) **Foreign Application Priority Data**

Dec. 25, 2002 (JP) 2002-035816

(51) **LOC (7) Cl.** **14-99**

(52) **U.S. Cl.** **D14/217; D14/260.1**

(58) **Field of Search** **D14/156, 217, D14/239, 260, 260.1, 262; 242/333.6, 356.4, 356.7; 360/74.2, 71, 96.1, 114; 369/44.15, 44.37, 112.24, 244-247, 263-264**

(56) **References Cited**

U.S. PATENT DOCUMENTS

4,386,381 A * 5/1983 Itai 360/74.2

6,097,690 A * 8/2000 Mochizuki et al. 369/112.24
D435,039 S * 12/2000 Miike D14/239
D476,314 S * 6/2003 Imi et al. D14/217

* cited by examiner

Primary Examiner—Nanda Bondade

(74) *Attorney, Agent, or Firm*—Sughrue Mion, PLLC

(57) **CLAIM**

The ornamental design for an optical pickup, as shown.

DESCRIPTION

FIG. 1 is a perspective view of the top, front and left side of an optical pickup showing our new design;

FIG. 2 is a perspective view of the bottom, rear and right side thereof;

FIG. 3 is a left side elevational view thereof;

FIG. 4 is a right side elevational view thereof;

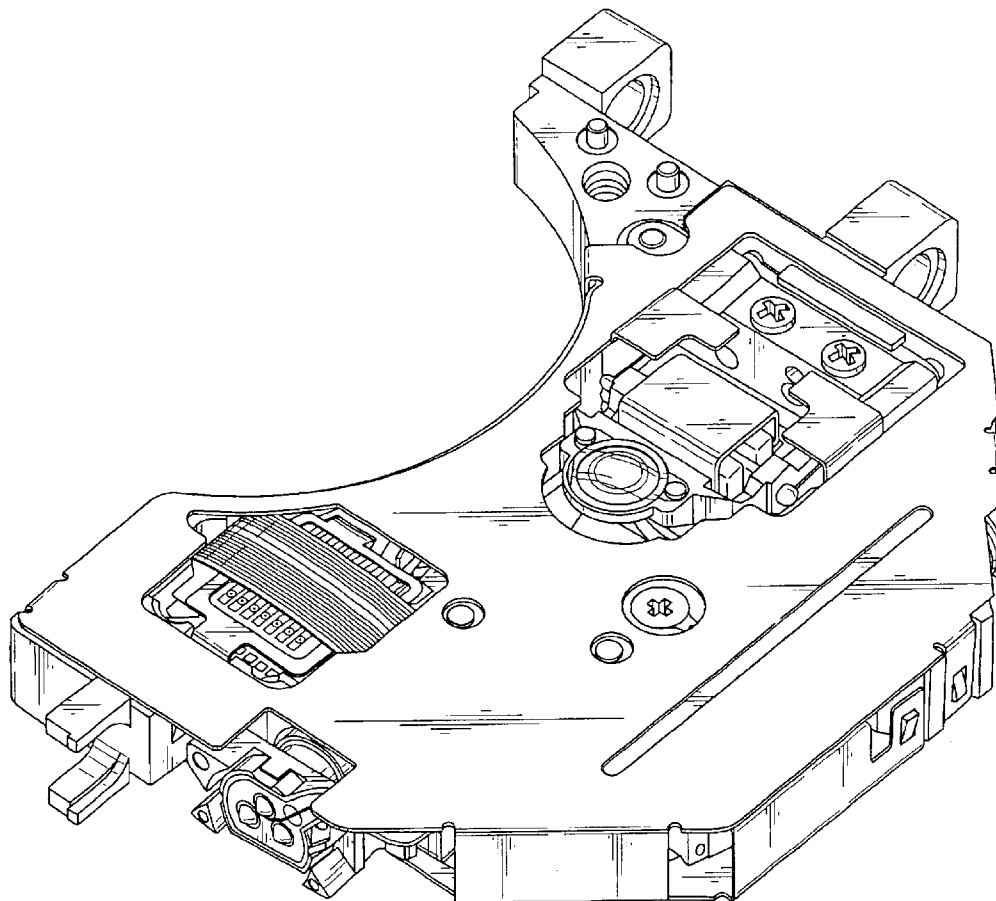
FIG. 5 is a front elevational view thereof;

FIG. 6 is a rear elevational view thereof;

FIG. 7 is a top plan view thereof; and,

FIG. 8 is a bottom plan view thereof.

1 Claim, 6 Drawing Sheets



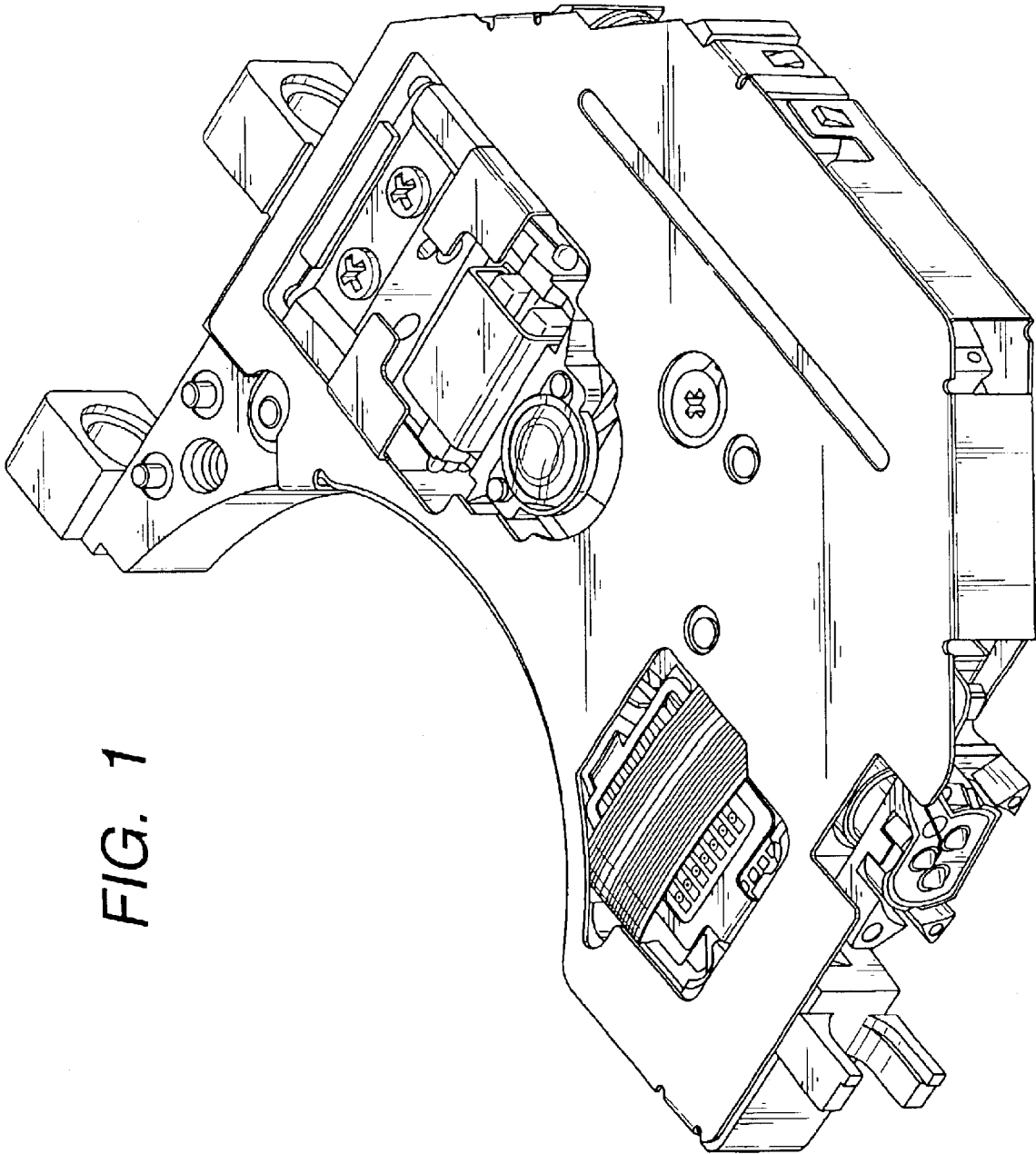


FIG. 1

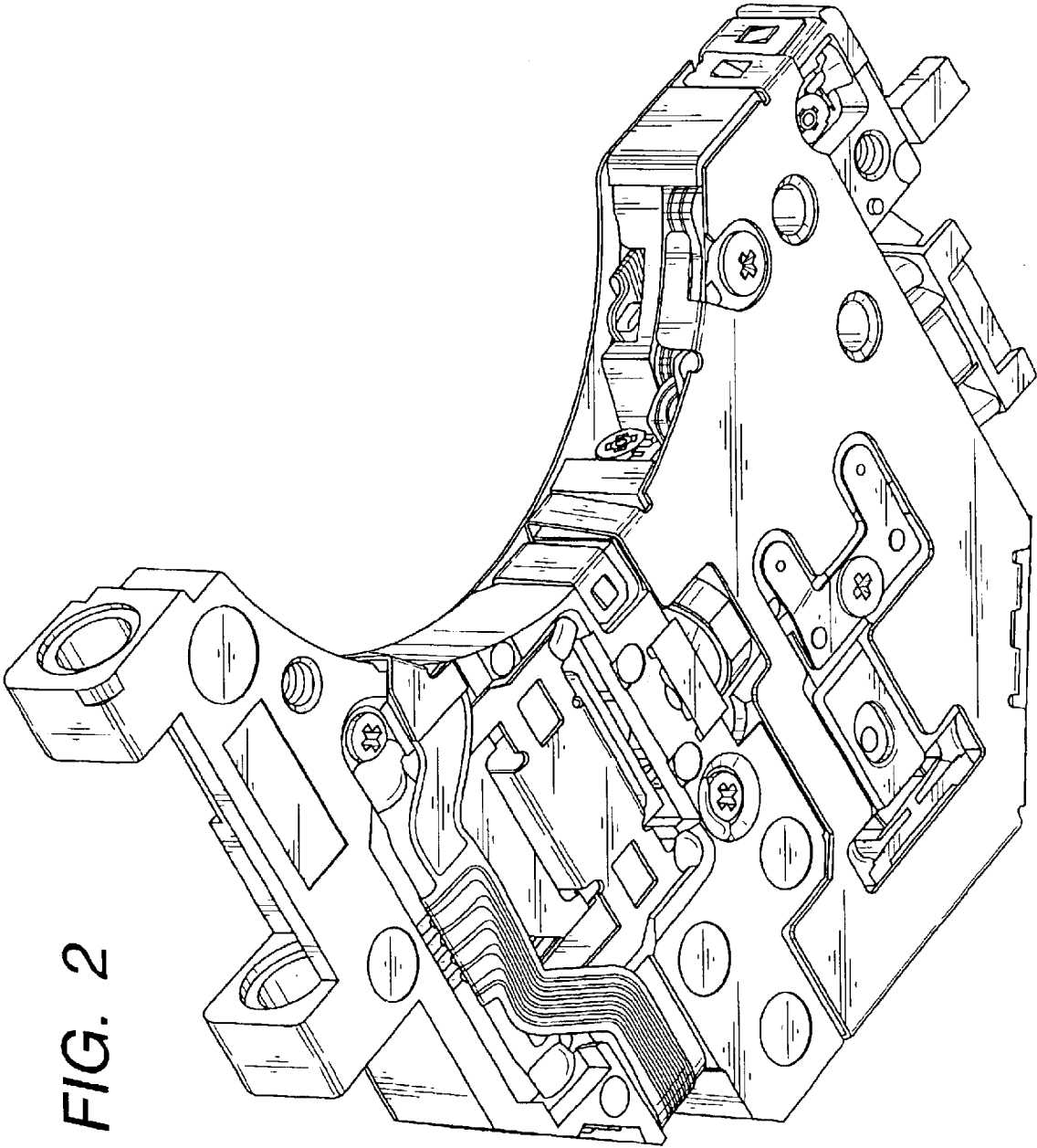


FIG. 2

FIG. 3

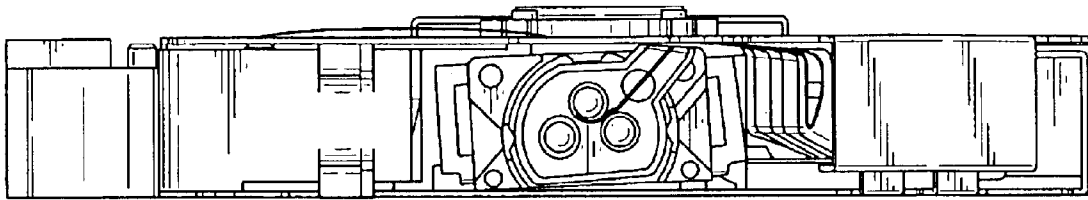


FIG. 4

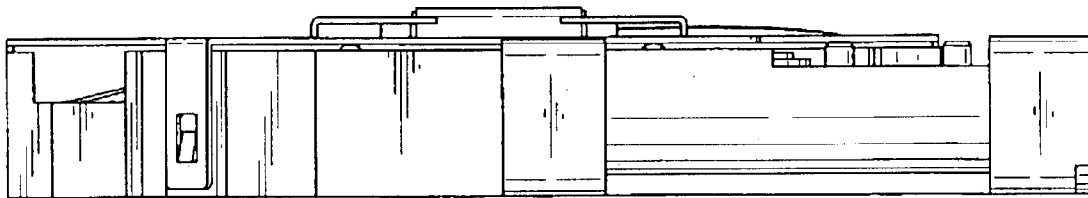


FIG. 5

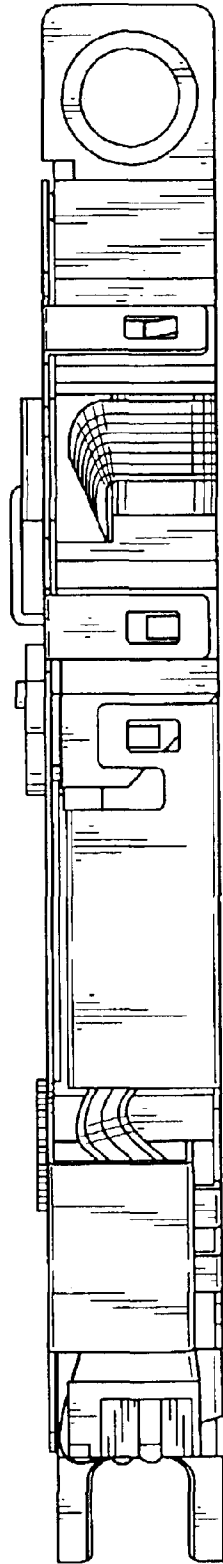


FIG. 6

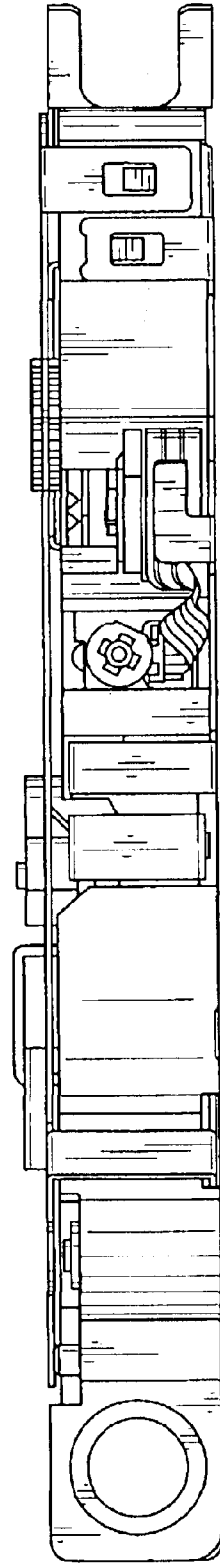


FIG. 7

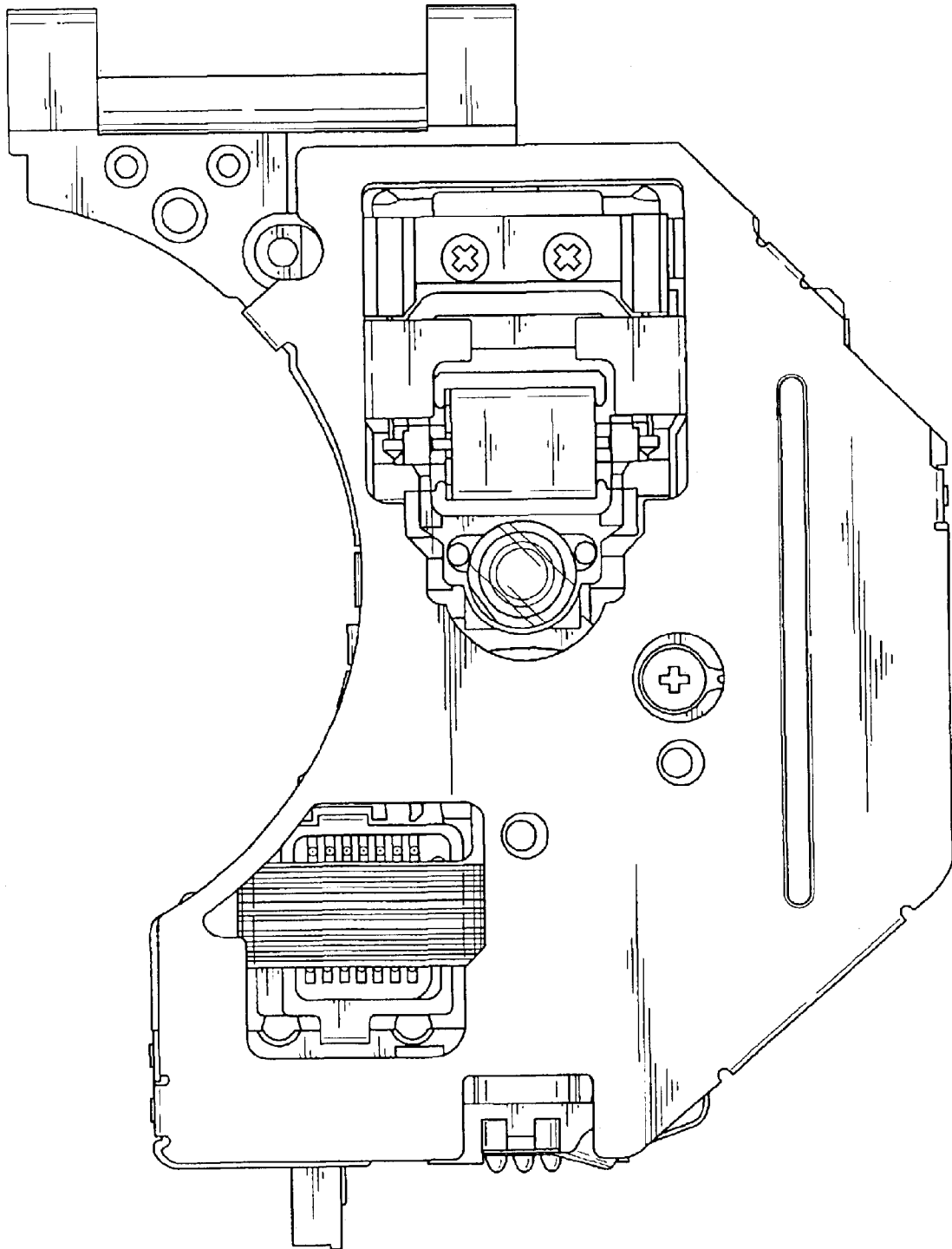


FIG. 8

