

(19) World Intellectual Property Organization
International Bureau



(43) International Publication Date
3 November 2005 (03.11.2005)

PCT

(10) International Publication Number
WO 2005/102902 A3

(51) International Patent Classification⁷: **B66B 23/18**,
B65G 23/44

(21) International Application Number:
PCT/FI2005/000166

(22) International Filing Date: 29 March 2005 (29.03.2005)

(25) Filing Language: English

(26) Publication Language: English

(30) Priority Data:
20040564 22 April 2004 (22.04.2004) FI

(71) Applicant (for all designated States except US): **KONE CORPORATION** [FI/FI]; Kartanontie 1, FI-00330 Helsinki (FI).

(72) Inventors; and

(75) Inventors/Applicants (for US only): **AULANKO, Esko** [FI/FI]; Käenkatu 6 C 33, FI-04230 Kerava (FI). **MUSTA-LAHTI, Jorma** [FI/FI]; Raivaajantie 13, FI-05620 Hyvinkää (FI). **OSSENDORF, Marc** [DE/DE]; Elsterstr. 22, D-44892 Bochum (DE).

(74) Agent: **KONE CORPORATION / Patent Department**; P.O. Box 677, FI-05801 Hyvinkää (FI).

(81) Designated States (unless otherwise indicated, for every kind of national protection available): AE, AG, AL, AM,

AT, AU, AZ, BA, BB, BG, BR, BW, BY, BZ, CA, CH, CN, CO, CR, CU, CZ, DE, DK, DM, DZ, EC, EE, EG, ES, FI, GB, GD, GE, GH, GM, HR, HU, ID, IL, IN, IS, JP, KE, KG, KP, KR, KZ, LC, LK, LR, LS, LT, LU, LV, MA, MD, MG, MK, MN, MW, MX, MZ, NA, NI, NO, NZ, OM, PG, PH, PL, PT, RO, RU, SC, SD, SE, SG, SK, SL, SM, SY, TJ, TM, TN, TR, TT, TZ, UA, UG, US, UZ, VC, VN, YU, ZA, ZM, ZW.

(84) Designated States (unless otherwise indicated, for every kind of regional protection available): ARIPO (BW, GH, GM, KE, LS, MW, MZ, NA, SD, SL, SZ, TZ, UG, ZM, ZW), Eurasian (AM, AZ, BY, KG, KZ, MD, RU, TJ, TM), European (AT, BE, BG, CH, CY, CZ, DE, DK, EE, ES, FI, FR, GB, GR, HU, IE, IS, IT, LT, LU, MC, NL, PL, PT, RO, SE, SI, SK, TR), OAPI (BF, BJ, CF, CG, CI, CM, GA, GN, GQ, GW, ML, MR, NE, SN, TD, TG).

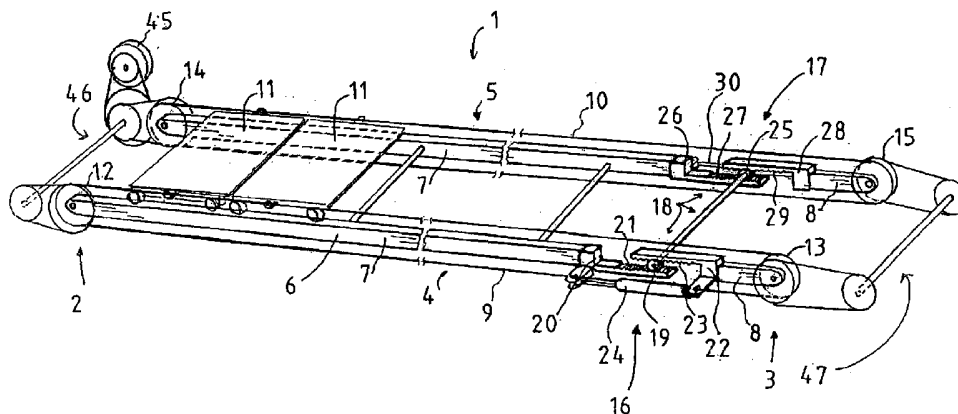
Published:

- with international search report
- before the expiration of the time limit for amending the claims and to be republished in the event of receipt of amendments

(88) Date of publication of the international search report:
26 January 2006

For two-letter codes and other abbreviations, refer to the "Guidance Notes on Codes and Abbreviations" appearing at the beginning of each regular issue of the PCT Gazette.

(54) Title: PEOPLE MOVER



(57) Abstract: A people mover, such as a travelator, moving ramp or escalator, comprising a conveyor (1). The conveyor comprises a frame (6), which comprises a first frame part (7), which is secured to a fixed structure, and a second frame part (8), which is mounted to be movable in relation to the first frame part in its longitudinal direction, said first and second frame parts being arranged one after the other. Transport platforms (11) are secured to a first drive element (9) and a second drive element (10), said drive elements being endless elements. A first tensioning device (16) tensions the first drive element (9) and a second tensioning device (17) tensions the second drive element (10), and each tensioning device acts between the first frame part (7) and the second frame part (8). The conveyor (1) comprises mechanical transmission elements (18) between the first tensioning device (16) and the second tensioning device (17) for keeping the stroke lengths of the first and the second tensioning movements equal.

WO 2005/102902 A3

INTERNATIONAL SEARCH REPORT

International Application No
PCT/FI2005/000166

A. CLASSIFICATION OF SUBJECT MATTER B66B23/18 B65G23/44		
According to International Patent Classification (IPC) or to both national classification and IPC		
B. FIELDS SEARCHED Minimum documentation searched (classification system followed by classification symbols) B66B B65G		
Documentation searched other than minimum documentation to the extent that such documents are included in the fields searched		
Electronic data base consulted during the international search (name of data base and, where practical, search terms used) EPO-Internal, WPI Data, PAJ		
C. DOCUMENTS CONSIDERED TO BE RELEVANT		
Category °	Citation of document, with indication, where appropriate, of the relevant passages	Relevant to claim No.
A	DE 34 12 995 A1 (GEWERKSCHAFT EISENHUETTE WESTFALIA; WESTFALIA BECORIT INDUSTRIETECHNIK) 24 October 1985 (1985-10-24) abstract	1-11
A	US 227 000 A (H.M. DANKER) 13 January 1942 (1942-01-13) figure 1	1-11
A	US 2 649 181 A (HANSEN HANS E) 18 August 1953 (1953-08-18) figure 2	1
A	DE 196 34 668 A1 (KONE OY, HELSINKI, FI; O & K ROLLTREPPEN GMBH & CO. KG, 45525 HATTINGE) 5 March 1998 (1998-03-05) abstract; figure 4	1
	----- -/--	
<input checked="" type="checkbox"/> Further documents are listed in the continuation of box C. <input checked="" type="checkbox"/> Patent family members are listed in annex.		
° Special categories of cited documents :		
"A" document defining the general state of the art which is not considered to be of particular relevance "E" earlier document but published on or after the international filing date "L" document which may throw doubts on priority claim(s) or which is cited to establish the publication date of another citation or other special reason (as specified) "O" document referring to an oral disclosure, use, exhibition or other means "P" document published prior to the international filing date but later than the priority date claimed		"T" later document published after the international filing date or priority date and not in conflict with the application but cited to understand the principle or theory underlying the invention "X" document of particular relevance; the claimed invention cannot be considered novel or cannot be considered to involve an inventive step when the document is taken alone "Y" document of particular relevance; the claimed invention cannot be considered to involve an inventive step when the document is combined with one or more other such documents, such combination being obvious to a person skilled in the art. "&" document member of the same patent family
Date of the actual completion of the international search <p align="center">24 November 2005</p>		Date of mailing of the international search report <p align="center">05/12/2005</p>
Name and mailing address of the ISA European Patent Office, P.B. 5818 Patentlaan 2 NL - 2280 HV Rijswijk Tel. (+31-70) 340-2040, Tx. 31 651 epo nl, Fax: (+31-70) 340-3016		Authorized officer <p align="center">Nelis, Y</p>

INTERNATIONAL SEARCH REPORT

International Application No
PCT/FI2005/000166

C.(Continuation) DOCUMENTS CONSIDERED TO BE RELEVANT

Category °	Citation of document, with indication, where appropriate, of the relevant passages	Relevant to claim No.
P, X	WO 2004/043835 A (RAPISTAN SYSTEMS ADVERTISING CORP) 27 May 2004 (2004-05-27) abstract -----	1

INTERNATIONAL SEARCH REPORT

Information on patent family members

International Application No

PCT/FI2005/000166

Patent document cited in search report	Publication date	Patent family member(s)	Publication date
DE 3412995	A1	24-10-1985	NONE
US 227000	A		NONE
US 2649181	A	18-08-1953	NONE
DE 19634668	A1	05-03-1998	NONE
WO 2004043835	A	27-05-2004	AU 2003291335 A1 03-06-2004 CA 2505064 A1 27-05-2004 EP 1575854 A1 21-09-2005