



- (51) **International Patent Classification:**
B65D 71/44 (2006.01)
- (21) **International Application Number:**
PCT/US2019/049900
- (22) **International Filing Date:**
06 September 2019 (06.09.2019)
- (25) **Filing Language:** English
- (26) **Publication Language:** English
- (30) **Priority Data:**
62/728,454 07 September 2018 (07.09.2018) US
62/767,188 14 November 2018 (14.11.2018) US
62/770,566 21 November 2018 (21.11.2018) US
- (71) **Applicant: GRAPHIC PACKAGING INTERNATIONAL, LLC** [US/US]; Law Department- 9th Floor, 1500 Riveredge Parkway, Suite 100, Atlanta, GA 30328 (US).
- (72) **Inventor: FORD, Colin, P.;** 510 Old Field Cove, Woodstock, GA 30189 (US).
- (74) **Agent: CLAERBOUT, Andrew, N.;** Womble Bond Dickinson (US) LLP, P.O. Box 7037, Atlanta, GA 30357-0037 (US).
- (81) **Designated States** (unless otherwise indicated, for every kind of national protection available): AE, AG, AL, AM, AO, AT, AU, AZ, BA, BB, BG, BH, BN, BR, BW, BY, BZ, CA, CH, CL, CN, CO, CR, CU, CZ, DE, DJ, DK, DM, DO, DZ, EC, EE, EG, ES, FI, GB, GD, GE, GH, GM, GT, HN, HR, HU, ID, IL, IN, IR, IS, JO, JP, KE, KG, KH, KN, KP, KR, KW, KZ, LA, LC, LK, LR, LS, LU, LY, MA, MD, ME, MG, MK, MN, MW, MX, MY, MZ, NA, NG, NI, NO, NZ, OM, PA, PE, PG, PH, PL, PT, QA, RO, RS, RU, RW, SA, SC, SD, SE, SG, SK, SL, SM, ST, SV, SY, TH, TJ, TM, TN, TR, TT, TZ, UA, UG, US, UZ, VC, VN, ZA, ZM, ZW.
- (84) **Designated States** (unless otherwise indicated, for every kind of regional protection available): ARIPO (BW, GH, GM, KE, LR, LS, MW, MZ, NA, RW, SD, SL, ST, SZ, TZ, UG, ZM, ZW), Eurasian (AM, AZ, BY, KG, KZ, RU, TJ, TM), European (AL, AT, BE, BG, CH, CY, CZ, DE, DK, EE, ES, FI, FR, GB, GR, HR, HU, IE, IS, IT, LT, LU, LV, MC, MK, MT, NL, NO, PL, PT, RO, RS, SE, SI, SK, SM,

(54) Title: PACKAGE FOR CONTAINERS

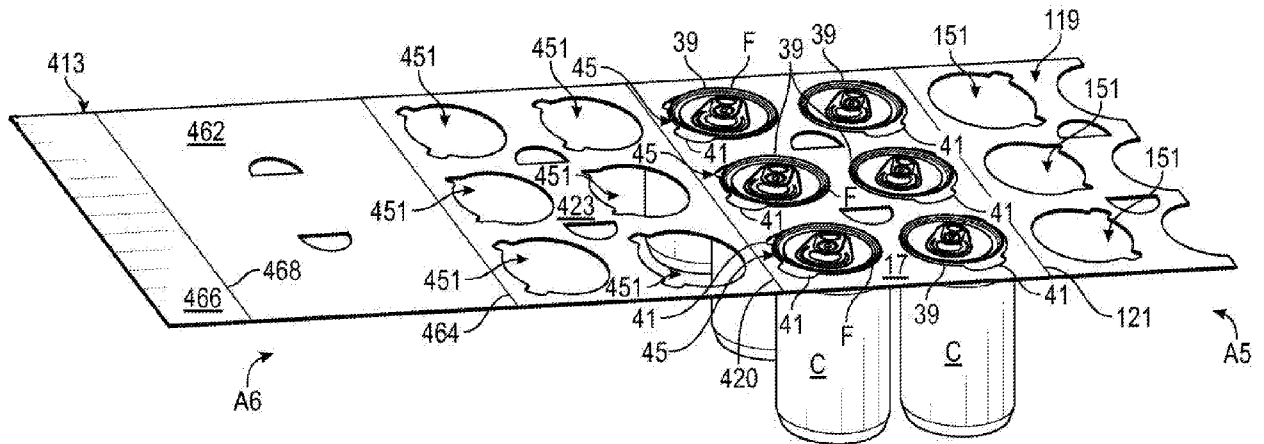


FIG. 18

(57) **Abstract:** A carrier for holding a plurality of containers includes a central panel for engaging the plurality of containers and at least one attachment feature in the central panel that receives and holds a top portion of at least one container of the plurality of containers. The at least one attachment feature includes an opening in the central panel, a first retention feature, and a second retention feature. The first retention feature and the second retention feature includes a respective first retention edge and second retention edge of the central panel defining a respective first portion and a second portion of the opening and for engaging a respective first portion and a second portion of at least one container of the plurality of containers to at least partially attach the at least one container to the carrier.



TR), OAPI (BF, BJ, CF, CG, CI, CM, GA, GN, GQ, GW, KM, ML, MR, NE, SN, TD, TG).

Declarations under Rule 4.17:

- *as to applicant's entitlement to apply for and be granted a patent (Rule 4.17(ii))*
- *as to the applicant's entitlement to claim the priority of the earlier application (Rule 4.17(iii))*

Published:

- *with international search report (Art. 21(3))*
- *before the expiration of the time limit for amending the claims and to be republished in the event of receipt of amendments (Rule 48.2(h))*

(88) Date of publication of the international search report:

08 October 2020 (08.10.2020)

A. CLASSIFICATION OF SUBJECT MATTER**B65D 71/44(2006.01)i**

According to International Patent Classification (IPC) or to both national classification and IPC

B. FIELDS SEARCHEDMinimum documentation searched (classification system followed by classification symbols)
B65D 71/44; B65D 5/42; B65D 67/02; B65D 71/12; B65D 71/40; B65D 71/52; B65D 75/00Documentation searched other than minimum documentation to the extent that such documents are included in the fields searched
Korean utility models and applications for utility models
Japanese utility models and applications for utility modelsElectronic data base consulted during the international search (name of data base and, where practicable, search terms used)
eKOMPASS(KIPO internal) & Keywords: carrier, containers, attachment feature, opening, retention edge, panel**C. DOCUMENTS CONSIDERED TO BE RELEVANT**

Category*	Citation of document, with indication, where appropriate, of the relevant passages	Relevant to claim No.
X	US 5682982 A (STONEHOUSE, DONALD BRUCE) 04 November 1997 column 4, line 1 - column 5, line 19; claim 1; and figures 1-2	1-19, 23-41, 45-63
Y		20-22, 42-44, 64-66
Y	KR 10-2005-0051616 A (ENTERORBIS CO., LTD.) 01 June 2005 claim 1; and figures 1-3	20-21, 42-43, 64-65
Y	JP 2001-519300 A (ECO-PAK PRODUCTS, INC.) 23 October 2001 paragraphs [0051]-[0054]; and figures 13-15	22, 44, 66
X	US 2010-0264043 A1 (DE PAULA, ANDREA COLTRI) 21 October 2010 paragraphs [0020]-[0035]; and figures 1-19	1-13, 23-35, 45-57
A	JP 10-297668 A (ILLINOIS TOOL WORKS INC.) 10 November 1998 claim 1; and figures 1-3	1-66

 Further documents are listed in the continuation of Box C. See patent family annex.

* Special categories of cited documents:

"A" document defining the general state of the art which is not considered to be of particular relevance

"D" document cited by the applicant in the international application

"E" earlier application or patent but published on or after the international filing date

"L" document which may throw doubts on priority claim(s) or which is cited to establish the publication date of another citation or other special reason (as specified)

"O" document referring to an oral disclosure, use, exhibition or other means

"P" document published prior to the international filing date but later than the priority date claimed

"T" later document published after the international filing date or priority date and not in conflict with the application but cited to understand the principle or theory underlying the invention

"X" document of particular relevance; the claimed invention cannot be considered novel or cannot be considered to involve an inventive step when the document is taken alone

"Y" document of particular relevance; the claimed invention cannot be considered to involve an inventive step when the document is combined with one or more other such documents, such combination being obvious to a person skilled in the art

"&" document member of the same patent family

Date of the actual completion of the international search

02 September 2020 (02.09.2020)

Date of mailing of the international search report

03 September 2020 (03.09.2020)

Name and mailing address of the ISA/KR

International Application Division
Korean Intellectual Property Office
189 Cheongsa-ro, Seo-gu, Daejeon, 35208, Republic of Korea

Facsimile No. +82-42-481-8578

Authorized officer

BAHNG SEUNG HOON

Telephone No. +82-42-481-5560



INTERNATIONAL SEARCH REPORT

Information on patent family members

International application No.

PCT/US2019/049900

Patent document cited in search report	Publication date	Patent family member(s)	Publication date
US 5682982 A	04/11/1997	None	
KR 10-2005-0051616 A	01/06/2005	None	
JP 2001-519300 A	23/10/2001	AU 9806798 A BR 9815256 A CA 2306961 A1 EP 1054816 A1 US 5878876 A WO 99-19230 A1	03/05/1999 16/10/2001 22/04/1999 29/11/2000 09/03/1999 22/04/1999
US 2010-0264043 A1	21/10/2010	AU 2010-218150 A1 BR 112012000453 A2 BR P11008461 A2 CA 2751482 A1 CA 2751482 C CA 2767053 A1 CA 2767053 C CN 102482014 A CN 102482014 B EP 2401208 A2 EP 2401208 A4 EP 2451721 A2 EP 2451721 A4 JP 2012-518581 A JP 2012-532808 A JP 5474099 B2 JP 5683583 B2 MX 2011008741 A MX 2012000353 A US 2011-0000799 A1 US 2012-0080328 A1 US 8096413 B2 US 8387784 B2 US 8443968 B2 WO 2010-099164 A2 WO 2010-099164 A3 WO 2011-006151 A2 WO 2011-006151 A3	25/08/2011 24/09/2019 01/03/2016 02/09/2010 14/01/2014 13/01/2011 14/10/2014 30/05/2012 20/05/2015 04/01/2012 20/11/2013 16/05/2012 27/02/2013 16/08/2012 20/12/2012 16/04/2014 11/03/2015 06/09/2011 01/02/2012 06/01/2011 05/04/2012 17/01/2012 05/03/2013 21/05/2013 02/09/2010 28/10/2010 13/01/2011 28/04/2011
JP 10-297668 A	10/11/1998	AR 008683 A1 AU 687330 B1 BR 9705287 A CA 2217071 A1 EP 0838408 A1 KR 10-0231218 B1 KR 10-1998-0032995 A MX 9708117 A NO 974873 L	09/02/2000 19/02/1998 14/09/1999 23/04/1998 29/04/1998 15/11/1999 25/07/1998 30/04/1998 24/04/1998

INTERNATIONAL SEARCH REPORT

Information on patent family members

International application No.

PCT/US2019/049900

Patent document cited in search report	Publication date	Patent family member(s)	Publication date
		NZ 328812 A US 5762193 A	19/12/1997 09/06/1998