



US0D1031234S

(12) **United States Design Patent**
Jiang

(10) **Patent No.:** **US D1,031,234 S**

(45) **Date of Patent:** **** Jun. 18, 2024**

- (54) **LAWN AERATOR SHOE**
- (71) Applicant: **Shenzhen Tianhong Industrial Materials Co., Ltd, Shenzhen (CN)**
- (72) Inventor: **Weihua Jiang, Nanju (CN)**
- (73) Assignee: **Shenzhen Tianhong Industrial Materials Co., Ltd, Shenzhen (CN)**

- 2,746,174 A * 5/1956 Patterson, Jr. A43B 5/18
36/7.7
- 2,910,127 A * 10/1959 Saunders A01B 1/243
172/370
- D232,147 S * 7/1974 Frisch et al. D2/962
- 3,838,528 A * 10/1974 Johnson A43C 15/063
36/7.7
- 4,035,935 A * 7/1977 Forrest A43B 13/00
36/136

(Continued)

(**) Term: **15 Years**

OTHER PUBLICATIONS

(21) Appl. No.: **29/925,343**

“Mianbao Lawn Aerator Shoes”, May 12, 2022, Amazon.ca, site visited Feb. 10, 2024: <https://www.amazon.ca/dp/B0B152B38V> (Year: 2022).*

(22) Filed: **Jan. 24, 2024**

(51) **LOC (14) Cl.** **02-04**

(52) **U.S. Cl.**

USPC **D2/962; D8/1**

(58) **Field of Classification Search**

USPC D2/906, 962; D8/1, 5–9, 61, 64–65, 70, D8/499

CPC .. A43B 5/18; A43B 13/26; A43B 3/00; A43B 3/16; A43C 15/14; A43C 15/06; A43C 15/068; A43C 15/168; A01B 1/165; A01B 1/243

See application file for complete search history.

(Continued)

Primary Examiner — Jack Reickel

Assistant Examiner — Michael A Kervin

(57) **CLAIM**

The ornamental design for a lawn aerator shoe, as shown and described.

DESCRIPTION

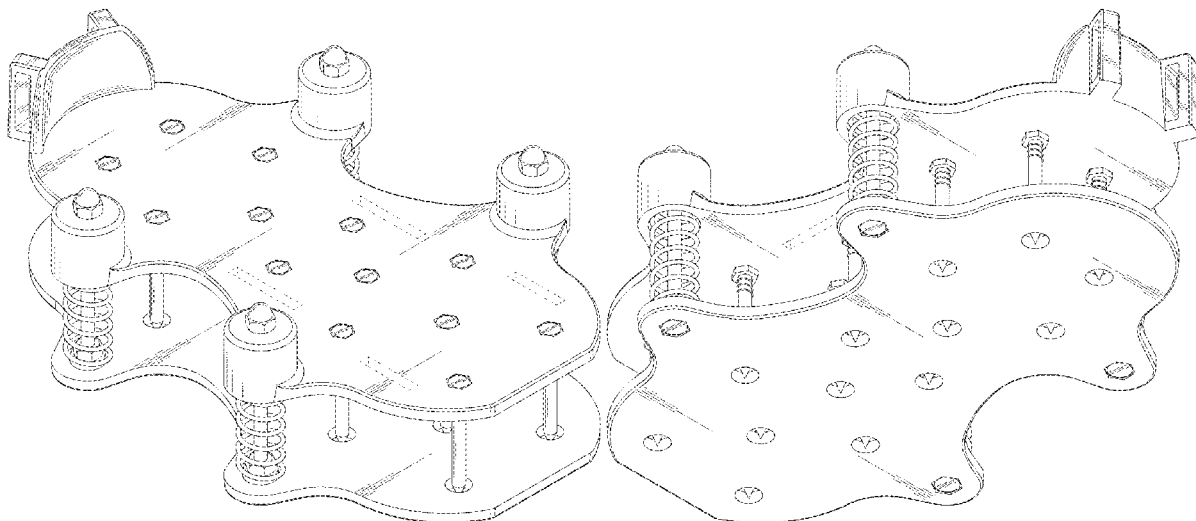
FIG. 1 is a front perspective view of a lawn aerator shoe, showing my new design;
FIG. 2 is a rear perspective view thereof;
FIG. 3 is a front view thereof;
FIG. 4 is a rear view thereof;
FIG. 5 is a left side view thereof;
FIG. 6 is a right side view thereof;
FIG. 7 is a top view thereof;
FIG. 8 is a bottom view thereof; and,
FIG. 9 is a perspective view of its usage status.
The broken lines in the drawings illustrate the portions of the lawn aerator shoe, which form no part of the claimed design.

(56) **References Cited**

U.S. PATENT DOCUMENTS

- 940,799 A * 11/1909 Gajewski A43C 15/06
36/7.6
- 1,132,208 A * 3/1915 Osaka A43C 15/14
36/61
- 1,202,451 A * 10/1916 Stern A43C 15/06
36/126
- 1,469,619 A * 10/1923 Byrd A43C 15/06
36/7.6
- 1,965,177 A * 7/1934 Finkl A01B 1/24
100/295
- D171,717 S * 3/1954 Langford D2/951
- 2,714,768 A * 8/1955 Badler A01B 1/00
36/1

1 Claim, 9 Drawing Sheets



(56)

References Cited

U.S. PATENT DOCUMENTS

4,133,086 A * 1/1979 Brennan A43B 5/18
 36/7.8
 4,525,939 A * 7/1985 McNeil A43C 15/06
 36/114
 D299,285 S * 1/1989 Watson D2/962
 5,042,778 A * 8/1991 Szazy A01B 1/02
 172/370
 5,499,458 A * 3/1996 Kronic A43C 15/06
 36/62
 D369,457 S * 5/1996 Weston D2/914
 5,555,943 A * 9/1996 Blasczyk A01B 1/165
 172/370
 5,689,901 A * 11/1997 Bell A43B 5/18
 36/62
 6,223,456 B1 * 5/2001 Hawkins A43B 3/00
 36/136
 D455,893 S * 4/2002 Pradhuman D2/912
 6,481,121 B1 * 11/2002 Tucker A43B 13/26
 36/7.7
 6,766,597 B1 * 7/2004 Perrod A43C 15/068
 36/97
 D654,667 S * 2/2012 Jennings D2/906
 D664,331 S * 7/2012 Weis D2/906
 D668,920 S * 10/2012 Sandoval D8/1
 8,291,613 B2 * 10/2012 Cunningham A43B 5/02
 36/11.5

D687,683 S * 8/2013 Lin D8/1
 D956,493 S 7/2022 Ko
 D1,010,404 S * 1/2024 Liu D8/7
 2002/0133974 A1 * 9/2002 Bartolini A43C 15/06
 36/7.7
 2003/0154626 A1 * 8/2003 Larson A43C 15/168
 36/7.6
 2003/0172551 A1 * 9/2003 Lee A43B 5/001
 36/61
 2006/0080861 A1 * 4/2006 Park A43C 15/02
 36/62
 2008/0000102 A1 * 1/2008 Rastegar A43B 1/0027
 36/62

OTHER PUBLICATIONS

“Nazzo Lawn Aerator Shoes—Double Layer”, Dec. 7, 2023, Amazon.ca, site visited Feb. 10, 2024: <https://www.amazon.ca/dp/B0CJXXZB7W> (Year: 2023).*

“Tsomei Lawn Aerator Shoes for Grass—Double Layer”, Dec. 27, 2023, Amazon.ca, site visited Feb. 10, 2024: <https://www.amazon.ca/dp/B0CP3BN464> (Year: 2023).*

“Magtsmei Upgraded Double Layer Lawn Aerator Shoes for Grass”, Jan. 25, 2024, Amazon.ca, site visited Feb. 10, 2024: <https://www.amazon.ca/dp/B0CNCRRKWS> (Year: 2024).*

* cited by examiner

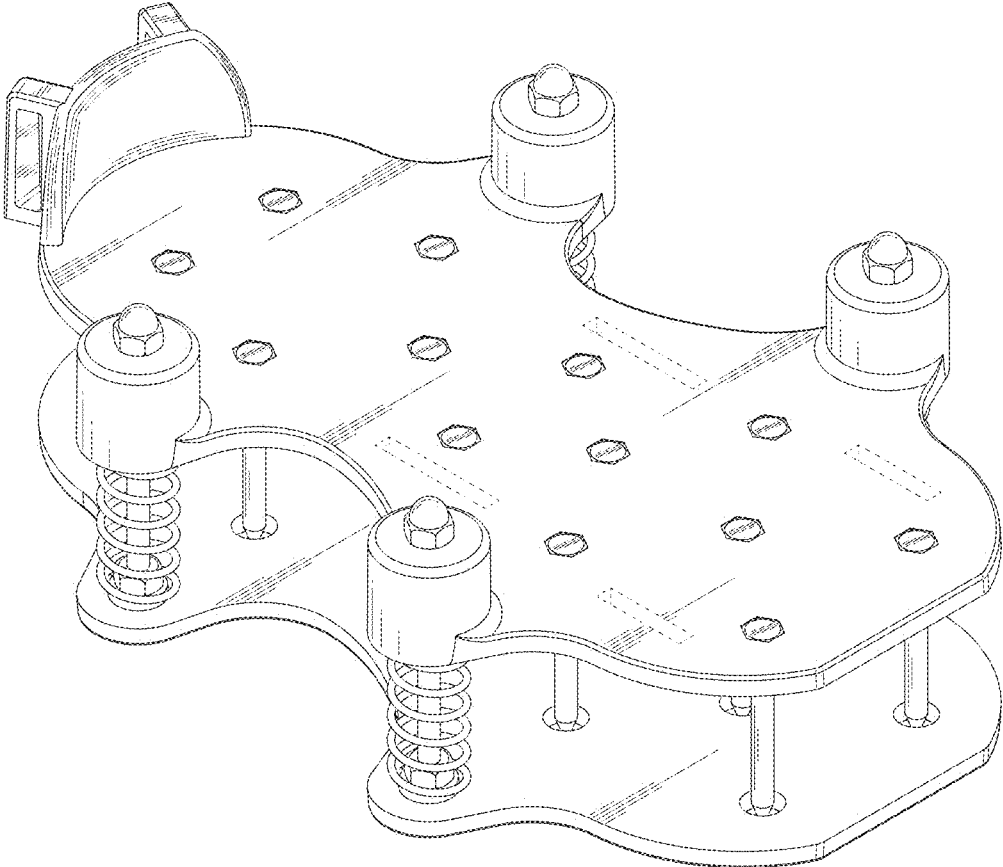


FIG.1

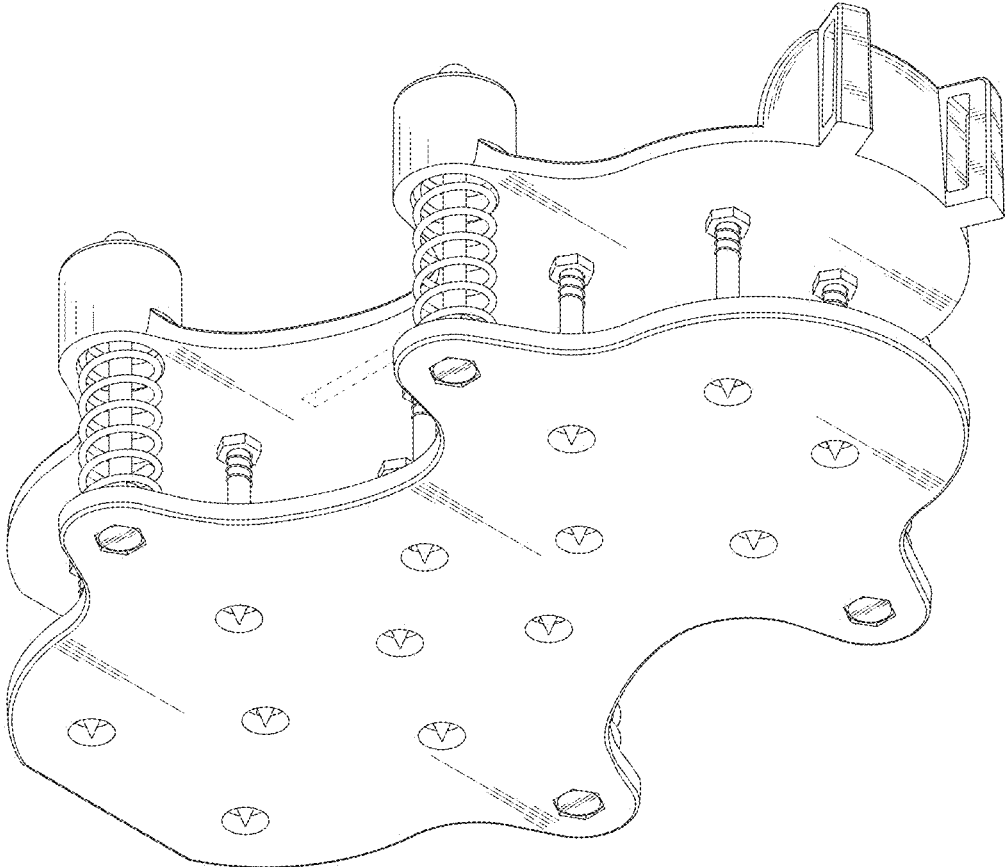


FIG.2

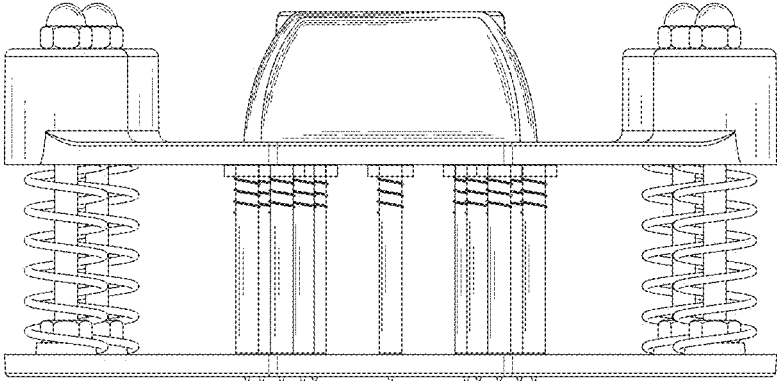


FIG.3

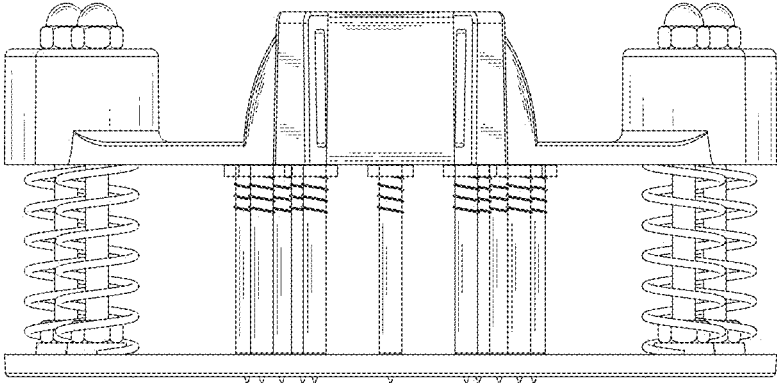


FIG.4

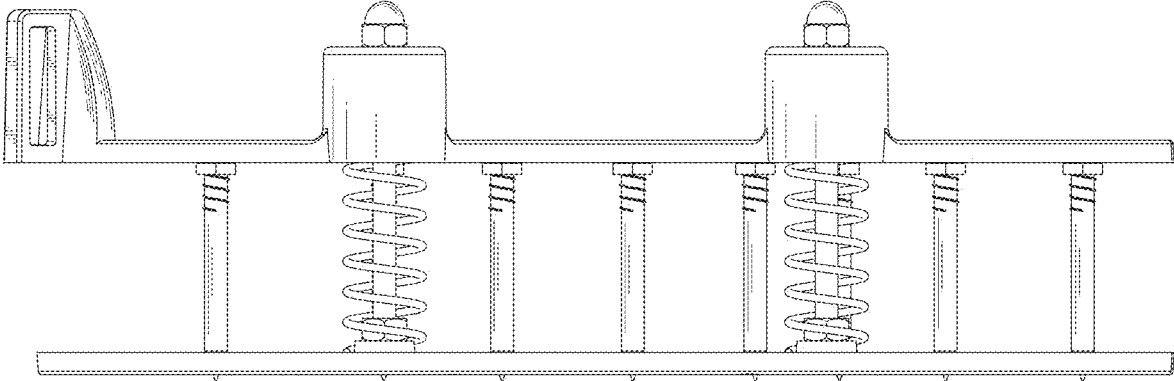


FIG.5

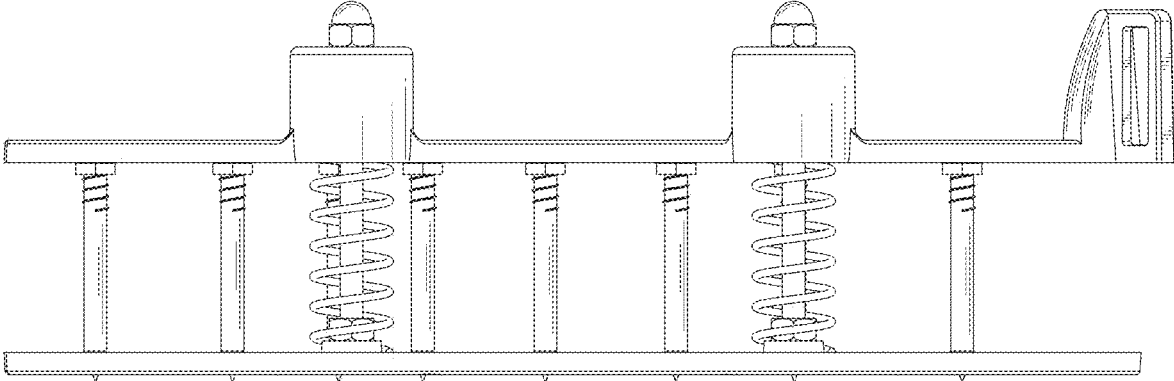


FIG.6

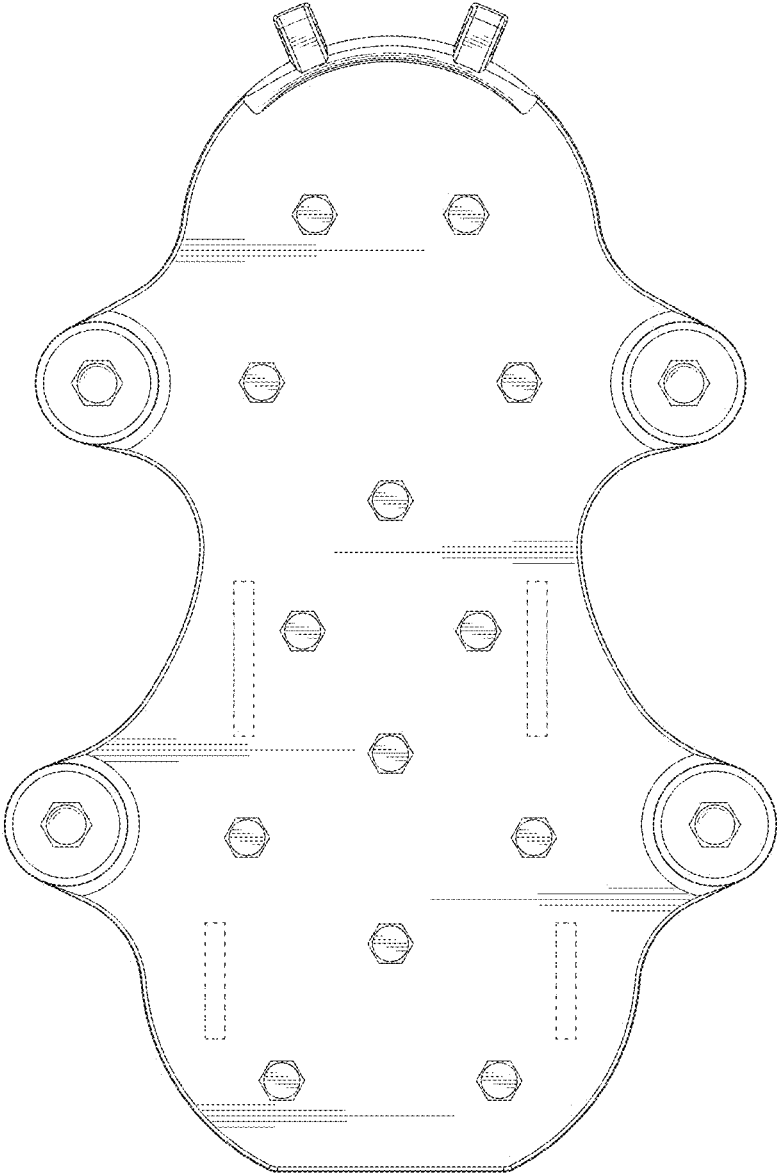


FIG.7

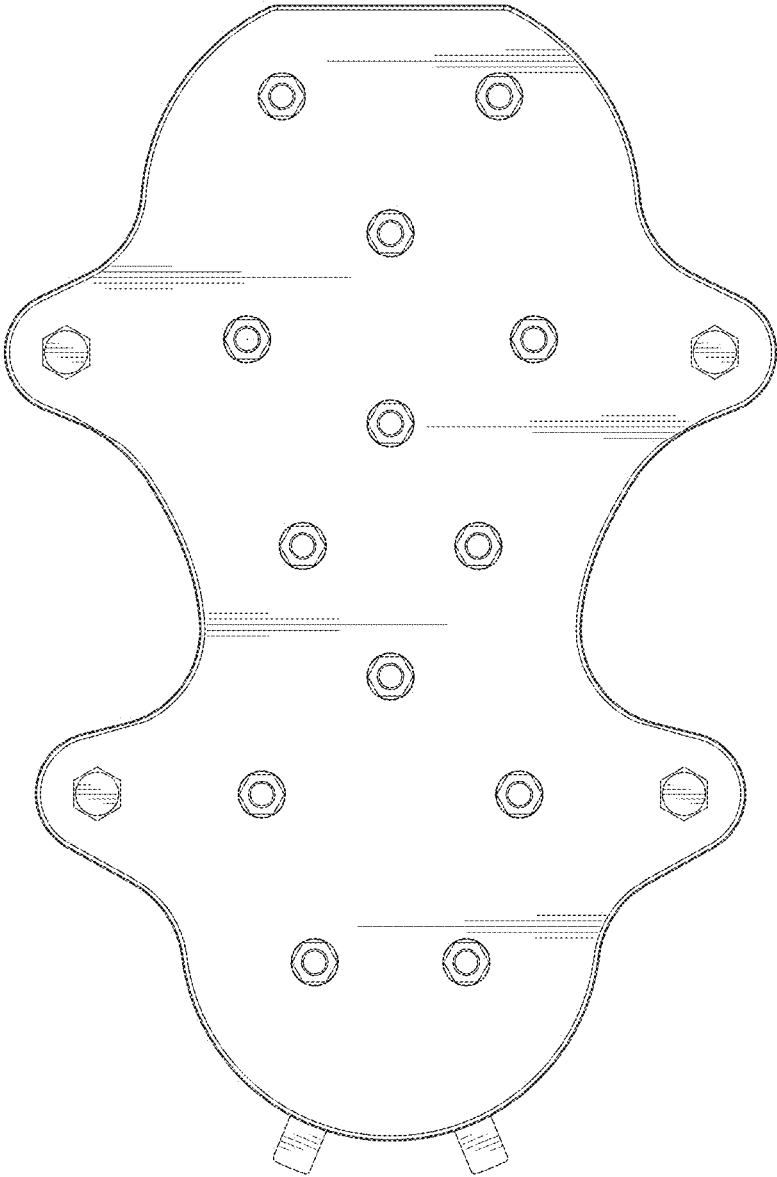


FIG.8

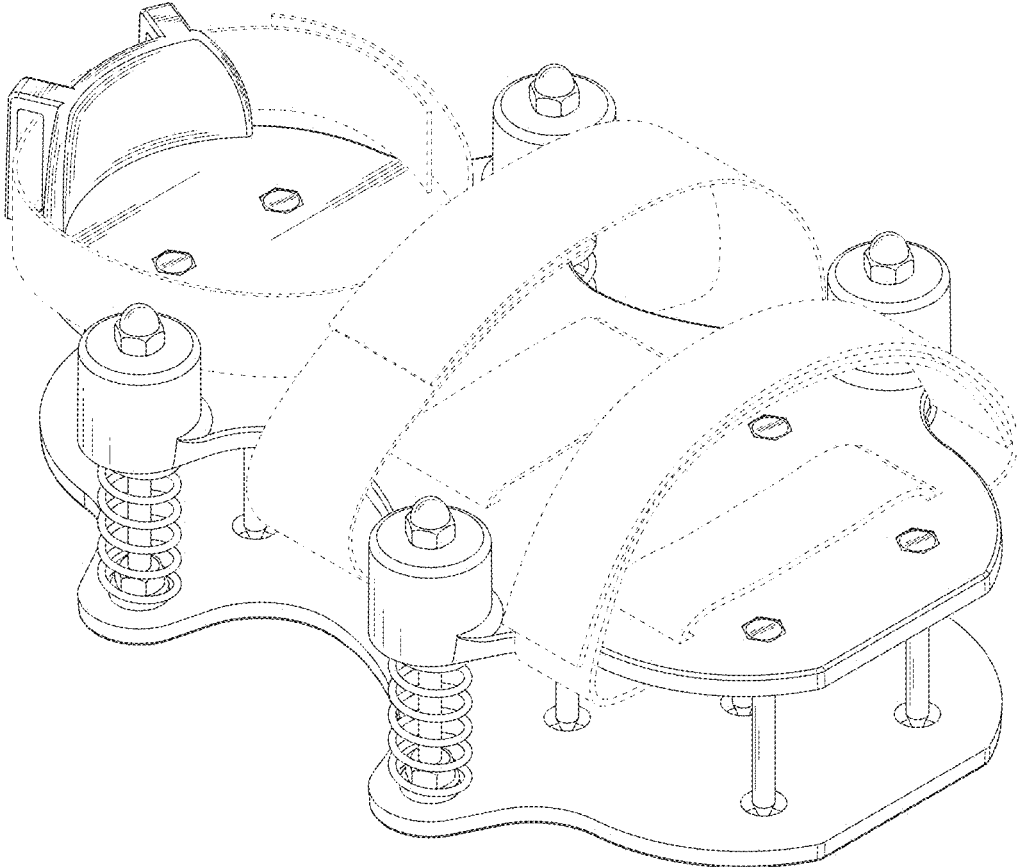


FIG.9