

(19) World Intellectual Property Organization
International Bureau



(43) International Publication Date
13 November 2008 (13.11.2008)

PCT

(10) International Publication Number
WO 2008/135892 A3

- (51) International Patent Classification: A61B 5/0285 (2006.01)
- (21) International Application Number: PCT/IB2008/051621
- (22) International Filing Date: 28 April 2008 (28.04.2008)
- (25) Filing Language: English
- (26) Publication Language: English
- (30) Priority Data: 07107365.4 2 May 2007 (02.05.2007) EP
- (71) Applicant (for DE only): PHILIPS INTELLECTUAL PROPERTY & STANDARDS GMBH [DE/DE]; Lübeckertordamm 5, 20099 Hamburg (DE).
- (71) Applicant (for all designated States except DE, US): KONINKLIJKE PHILIPS ELECTRONICS N.V. [NL/NL]; Groenewoudseweg 1, 5621 BA Eindhoven (NL).
- (72) Inventor; and
- (75) Inventor/Applicant (for US only): VOLLMER, Thomas
- (54) Title: APPARATUS FOR PERFORMING PULSE WAVE VELOCITY MEASUREMENTS
- (57) Abstract: The invention relates to an apparatus (100, 200) for performing pulse wave velocity measurements of blood flowing through a blood vessel, comprising at least a first and a second pulse detector, first selecting means (106) for selecting one of the first and the second detectors (104) and an amplifier (108) for amplifying a signal provided by the selected one of the first (102) and second (104) detectors.
- (74) Agent: VAN VELZEN, Maaik; High Tech Campus 44, NL-5656 AE Eindhoven, (NL).
- (81) Designated States (unless otherwise indicated, for every kind of national protection available): AE, AG, AL, AM, AO, AT, AU, AZ, BA, BB, BG, BH, BR, BW, BY, BZ, CA, CH, CN, CO, CR, CU, CZ, DE, DK, DM, DO, DZ, EC, EE, EG, ES, FI, GB, GD, GE, GH, GM, GT, HN, HR, HU, ID, IL, IN, IS, JP, KE, KG, KM, KN, KP, KR, KZ, LA, LC, LK, LR, LS, LT, LU, LY, MA, MD, ME, MG, MK, MN, MW, MX, MY, MZ, NA, NG, NI, NO, NZ, OM, PG, PH, PL, PT, RO, RS, RU, SC, SD, SE, SG, SK, SL, SM, SV, SY, TJ, TM, TN, TR, TT, TZ, UA, UG, US, UZ, VC, VN, ZA, ZM, ZW.
- (84) Designated States (unless otherwise indicated, for every kind of regional protection available): ARIPO (BW, GH, GM, KE, LS, MW, MZ, NA, SD, SL, SZ, TZ, UG, ZM, ZW), Eurasian (AM, AZ, BY, KG, KZ, MD, RU, TJ, TM), European (AT, BE, BG, CH, CY, CZ, DE, DK, EE, ES, FI,

[Continued on next page]

WO 2008/135892 A3

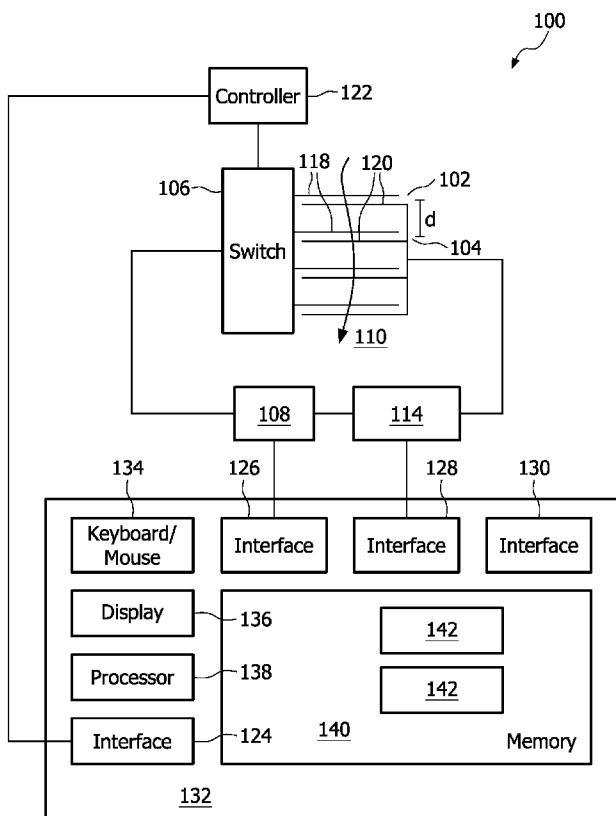


FIG. 1



FR, GB, GR, HR, HU, IE, IS, IT, LT, LU, LV, MC, MT, NL,
NO, PL, PT, RO, SE, SI, SK, TR), OAPI (BF, BJ, CF, CG,
CI, CM, GA, GN, GQ, GW, ML, MR, NE, SN, TD, TG).

— *before the expiration of the time limit for amending the
claims and to be republished in the event of receipt of
amendments*

Published:

— *with international search report*

(88) Date of publication of the international search report:
30 April 2009

INTERNATIONAL SEARCH REPORT

International application No
PCT/IB2008/051621

A. CLASSIFICATION OF SUBJECT MATTER
INV. A61B5/0285

According to International Patent Classification.(IPC) or to both national classification and IPC

B. FIELDS SEARCHED

Minimum documentation searched (classification system followed by classification symbols)
A61B

Documentation searched other than minimum documentation to the extent that such documents are included in the fields searched

Electronic data base consulted during the international search (name of data base and, where practical, search terms used)

EPO-Internal

C. DOCUMENTS CONSIDERED TO BE RELEVANT

Category*	Citation of document, with indication, where appropriate, of the relevant passages	Relevant to claim No.
X Y	US 6 503 206 B1 (LI LUYA [CA] ET AL) 7 January 2003 (2003-01-07) column 1, lines 5-10,19-23 column 2, lines 45-67 column 3, lines 1-34 column 4, lines 34-44,62-65 column 5, lines 9-20,38-51 column 6, lines 30-32 figures 1,2	1-5,9, 14,17-20 6-8, 10-13, 15,16
Y	US 6 409 675 B1 (TURCOTT ROBERT [US]) 25 June 2002 (2002-06-25) paragraph [0063]	6
	-/--	

Further documents are listed in the continuation of Box C.

See patent family annex.

* Special categories of cited documents :

- *A* document defining the general state of the art which is not considered to be of particular relevance
- *E* earlier document but published on or after the international filing date
- *L* document which may throw doubts on priority claim(s) or which is cited to establish the publication date of another citation or other special reason (as specified)
- *O* document referring to an oral disclosure, use, exhibition or other means
- *P* document published prior to the international filing date but later than the priority date claimed

- *T* later document published after the international filing date or priority date and not in conflict with the application but cited to understand the principle or theory underlying the invention
- *X* document of particular relevance; the claimed invention cannot be considered novel or cannot be considered to involve an inventive step when the document is taken alone
- *Y* document of particular relevance; the claimed invention cannot be considered to involve an inventive step when the document is combined with one or more other such documents, such combination being obvious to a person skilled in the art.
- *&* document member of the same patent family

Date of the actual completion of the international search

24 February 2009

Date of mailing of the international search report

04/03/2009

Name and mailing address of the ISA/

European Patent Office, P.B. 5818 Patentlaan 2
 NL - 2280 HV Rijswijk
 Tel. (+31-70) 340-2040,
 Fax: (+31-70) 340-3016

Authorized officer

De la Hera, Germán

INTERNATIONAL SEARCH REPORT

International application No

PCT/IB2008/051621

C(Continuation). DOCUMENTS CONSIDERED TO BE RELEVANT

Category*	Citation of document, with indication, where appropriate, of the relevant passages	Relevant to claim No.
Y	US 2003/032887 A1 (HARADA CHIKAO [JP] ET AL) 13 February 2003 (2003-02-13)	7
A	paragraph [0120] -----	10
Y	EP 0 824 009 A (COLIN CORP [JP]) 18 February 1998 (1998-02-18) column 9, lines 43-57; figures 2,4 -----	8
Y	EP 1 247 485 A (COLIN CORP [JP]) 9 October 2002 (2002-10-09) paragraphs [0024], [0025]; figures 3,4 -----	10,12,13
Y	US 2006/211942 A1 (HOCTOR RALPH T [US] ET AL) 21 September 2006 (2006-09-21) paragraphs [0063], [0082], [0087] -----	11,15
Y	US 2001/012916 A1 (DEUTER KLAUS [DE]) 9 August 2001 (2001-08-09) paragraph [0025] -----	16

INTERNATIONAL SEARCH REPORT

Information on patent family members

International application No

PCT/IB2008/051621

Patent document cited in search report	Publication date	Patent family member(s)	Publication date
US 6503206	B1	07-01-2003	NONE
US 6409675	B1	25-06-2002	US 6480733 B1 12-11-2002
US 2003032887	A1	13-02-2003	NONE
EP 0824009	A	18-02-1998	DE 69618187 D1 31-01-2002 DE 69618187 T2 22-08-2002
EP 1247485	A	09-10-2002	JP 3587798 B2 10-11-2004 JP 2002301035 A 15-10-2002 US 2002147401 A1 10-10-2002
US 2006211942	A1	21-09-2006	US 2007123779 A1 31-05-2007
US 2001012916	A1	09-08-2001	DE 19962700 A1 28-06-2001