



US00D662218S

(12) **United States Design Patent**  
**Pittman**

(10) **Patent No.:** **US D662,218 S**

(45) **Date of Patent:** **\*\* Jun. 19, 2012**

(54) **MEDICAL SHARPS HOLDING TRAY**

D618,821 S \* 6/2010 Larsen ..... D24/227  
D638,137 S \* 5/2011 Gross et al. .... D24/227  
D650,912 S \* 12/2011 Tomes et al. .... D24/227

(75) Inventor: **William G. Pittman**, Knoxville, TN  
(US)

(73) Assignee: **DeRoyal Industries, Inc.**, Powell, TN  
(US)

(\*\*) Term: **14 Years**

(21) Appl. No.: **29/404,422**

(22) Filed: **Oct. 20, 2011**

(51) **LOC (9) Cl.** ..... **24-01**

(52) **U.S. Cl.** ..... **D24/227**

(58) **Field of Classification Search** ..... D24/123,  
D24/176-177, 216, 223-232; 422/99, 102,  
422/104, 297, 300; 206/363, 370, 557; D3/304,  
D3/307, 308, 314, 315; D7/500, 550.1, 602,  
D7/554.3, 543-587, 354, 552.2, 409, 359-361;  
D6/406.1, 406.2, 406.3, 601; 220/574; D9/425  
See application file for complete search history.

(56) **References Cited**

**U.S. PATENT DOCUMENTS**

D259,057 S \* 4/1981 Lancellotti et al. .... D24/217  
4,889,231 A \* 12/1989 Foote et al. .... 206/363  
D313,276 S \* 12/1990 McHugh ..... D24/227  
D334,973 S \* 4/1993 Valentine et al. .... D24/227  
D337,830 S \* 7/1993 Coyne et al. .... D24/229  
D363,002 S \* 10/1995 Douglas ..... D7/543  
D387,177 S 12/1997 Davis  
5,791,472 A 8/1998 Davis  
D408,682 S \* 4/1999 Costa ..... D7/354  
5,938,063 A 8/1999 Hofman  
6,065,596 A 5/2000 Cavanagh  
D493,670 S \* 8/2004 De Neubourg ..... D7/554.3  
D578,352 S \* 10/2008 Hauser ..... D7/552.2  
D596,311 S \* 7/2009 Antons ..... D24/227

**OTHER PUBLICATIONS**

Needle Counters on Internet Kleen Needle Counter With Disposa-  
Tray Ca48—Mowhawk Medical Mall—Feb. 10, 2012 (1 page).  
Needle Counters on Internet International Sharps Injury Prevention  
Society—Feb. 10, 2012 (16 pages).

\* cited by examiner

*Primary Examiner* — T. Chase Nelson

*Assistant Examiner* — Mark Cavanna

(74) *Attorney, Agent, or Firm* — Luedeka Neely Group, PC

(57) **CLAIM**

The ornamental design for a medical sharps holding tray, as  
shown and described.

**DESCRIPTION**

FIG. 1 is an upper perspective view of a tray of my new  
design;

FIG. 2 is a top plan view of the tray of FIG. 1

FIG. 3 is a bottom plan view of the tray of FIG. 1;

FIG. 4 is a right side view of the tray of FIG. 1;

FIG. 5 is a left side view of the tray of FIG. 1;

FIG. 6 is a front side view of the tray of FIG. 1;

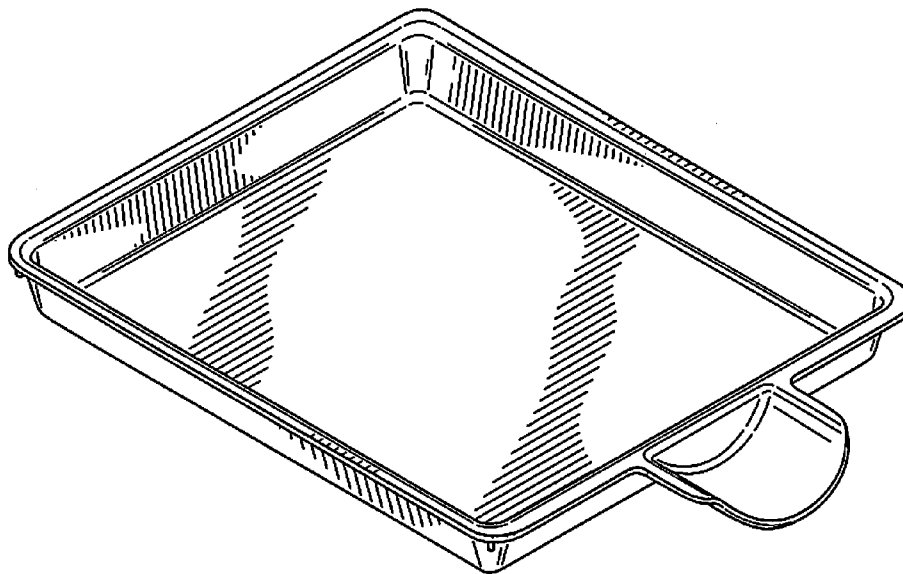
FIG. 7 is a rear side view of the tray of FIG. 1;

FIG. 8 is an exploded perspective view of the tray of FIG. 1  
including foam and magnet components, shown in broken  
lines, for contextual purposes; and,

FIG. 9 is an assembled view of FIG. 8 shown for contextual  
purposes.

The broken line portions of the drawings are included for the  
purpose of illustrating unclaimed structure and form no part  
of the claimed design.

**1 Claim, 7 Drawing Sheets**



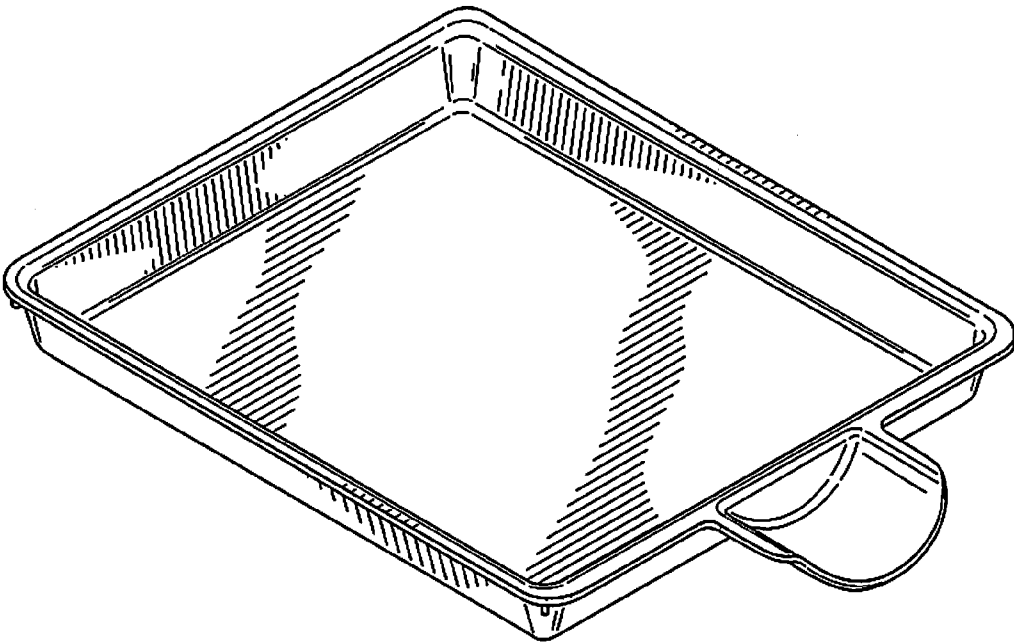


FIG. 1

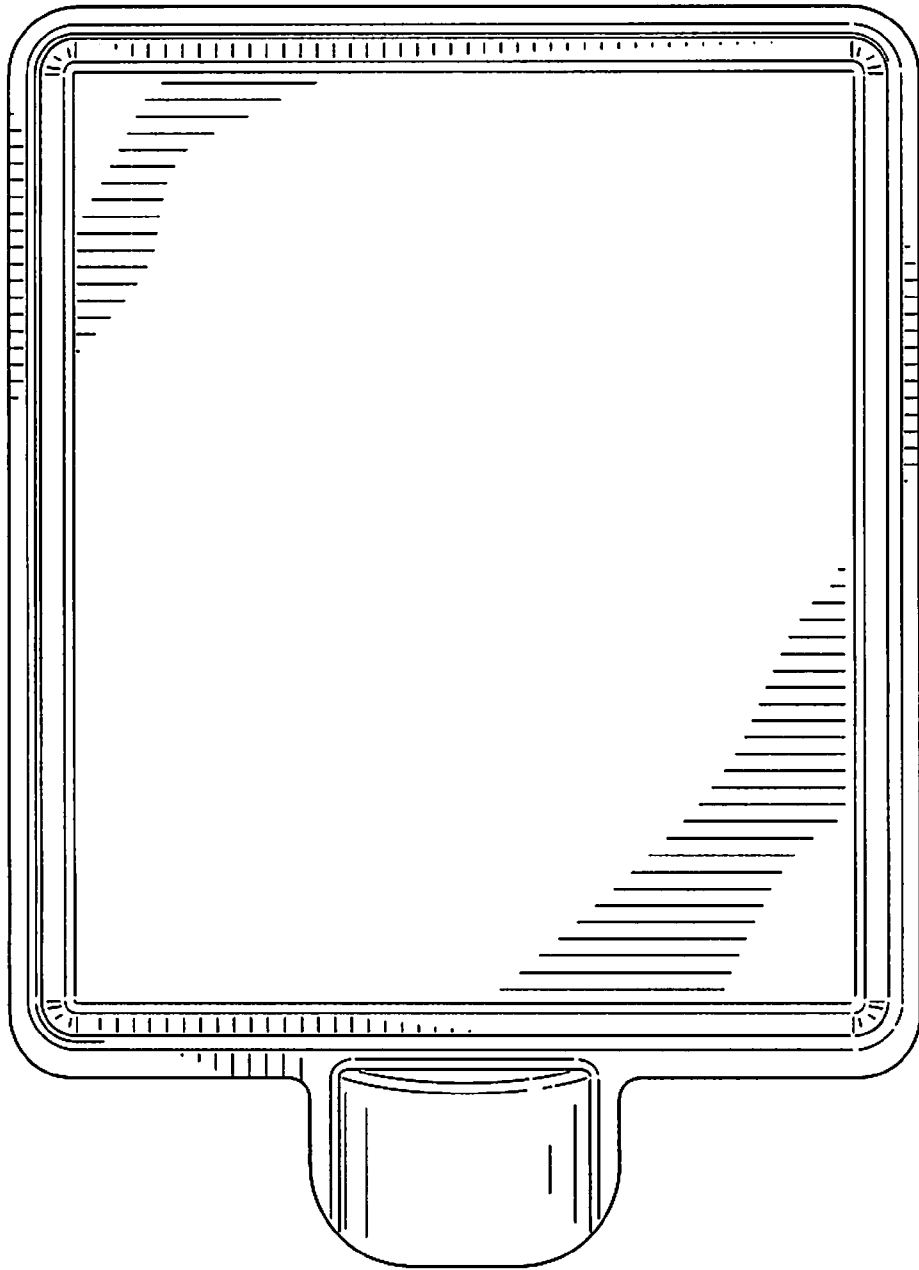
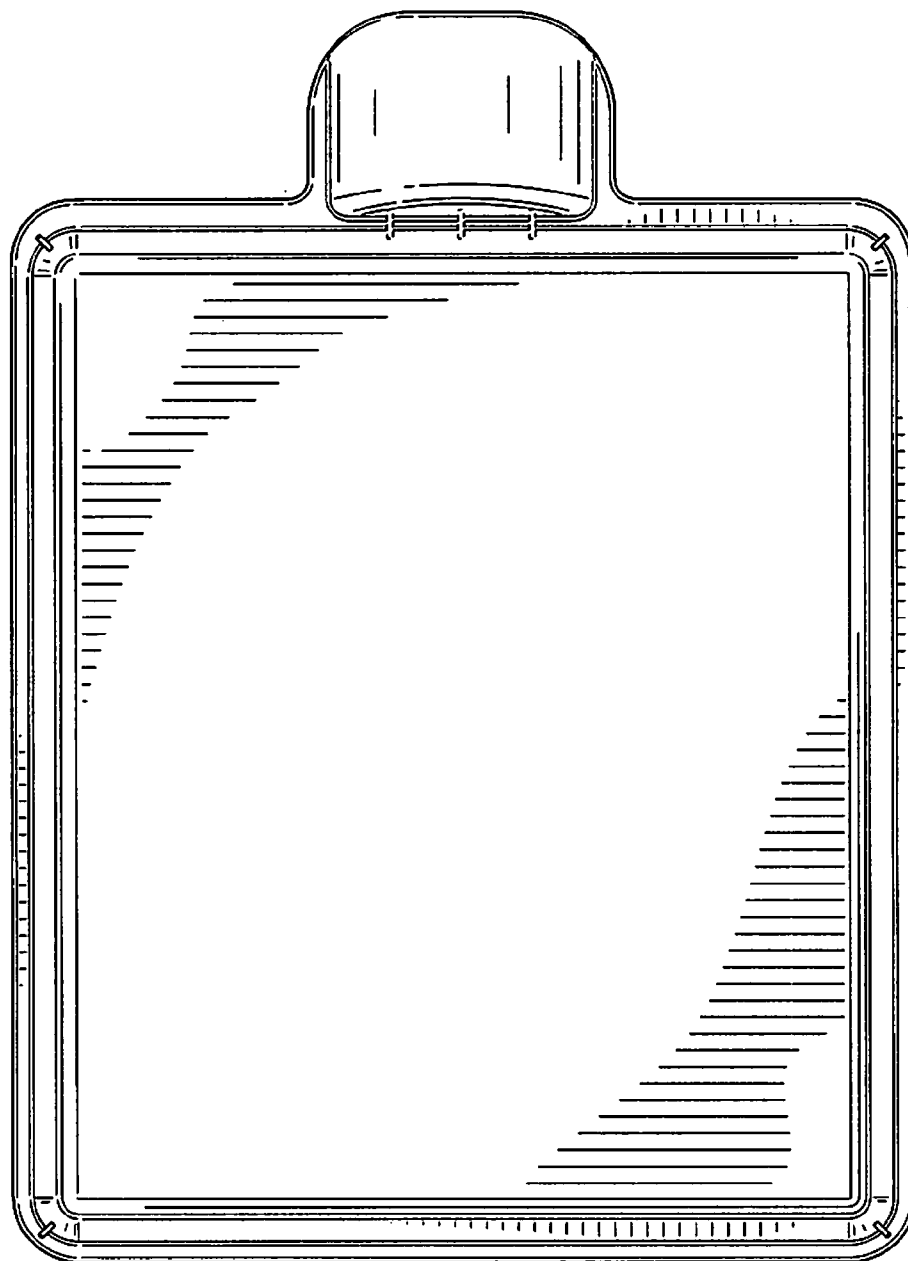


FIG. 2



**FIG. 3**

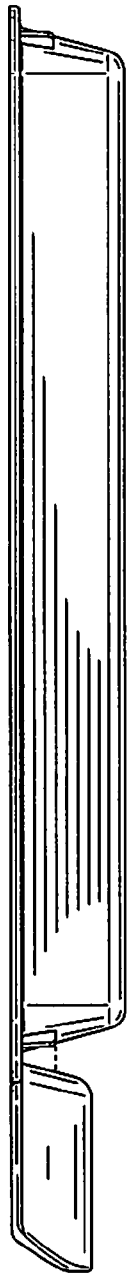


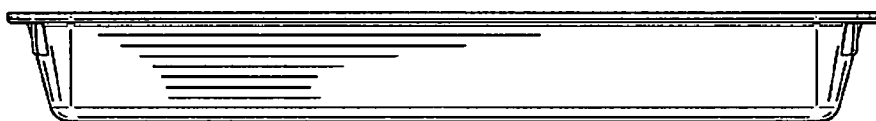
FIG. 4



FIG. 5



**FIG. 6**



**FIG. 7**

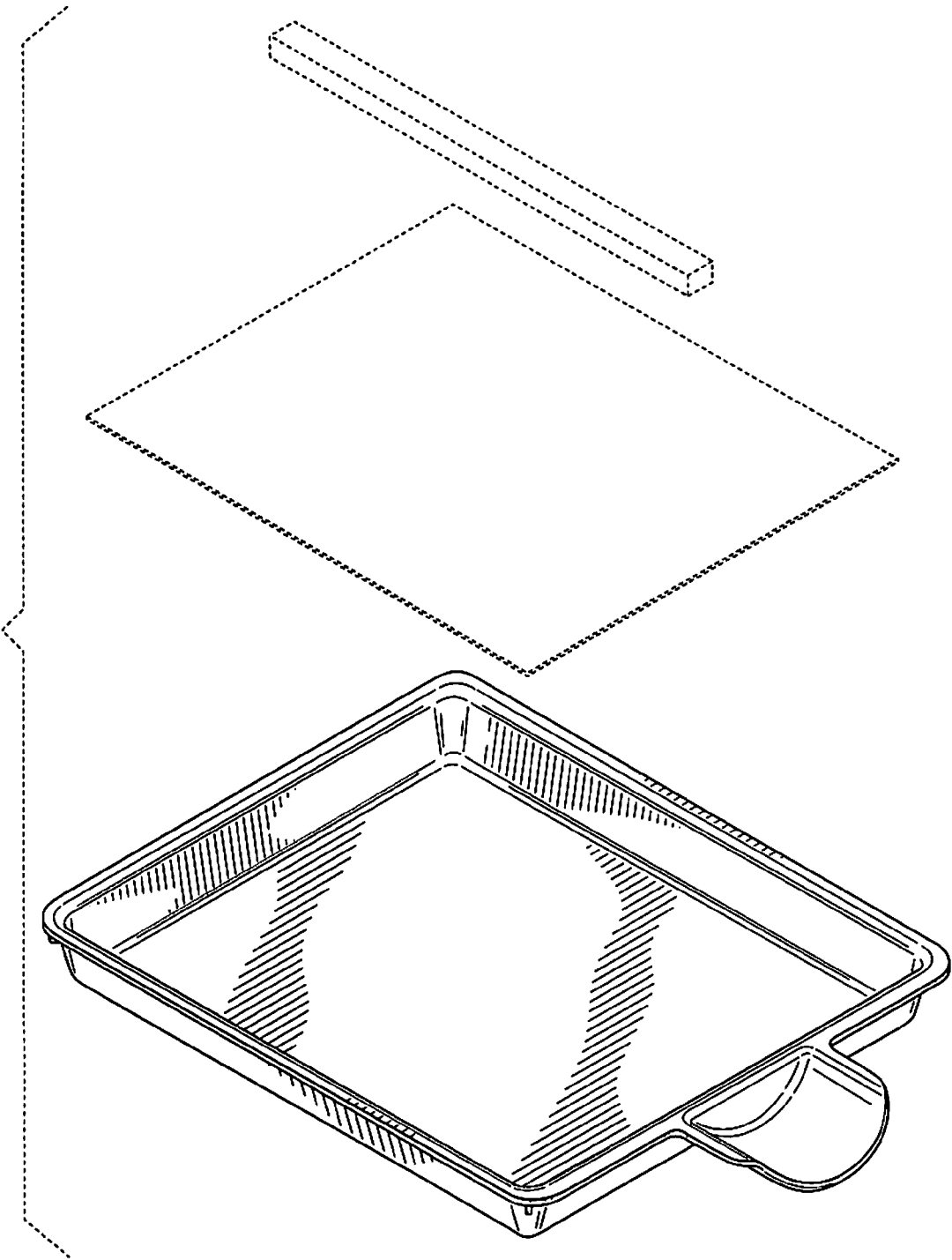


FIG. 8

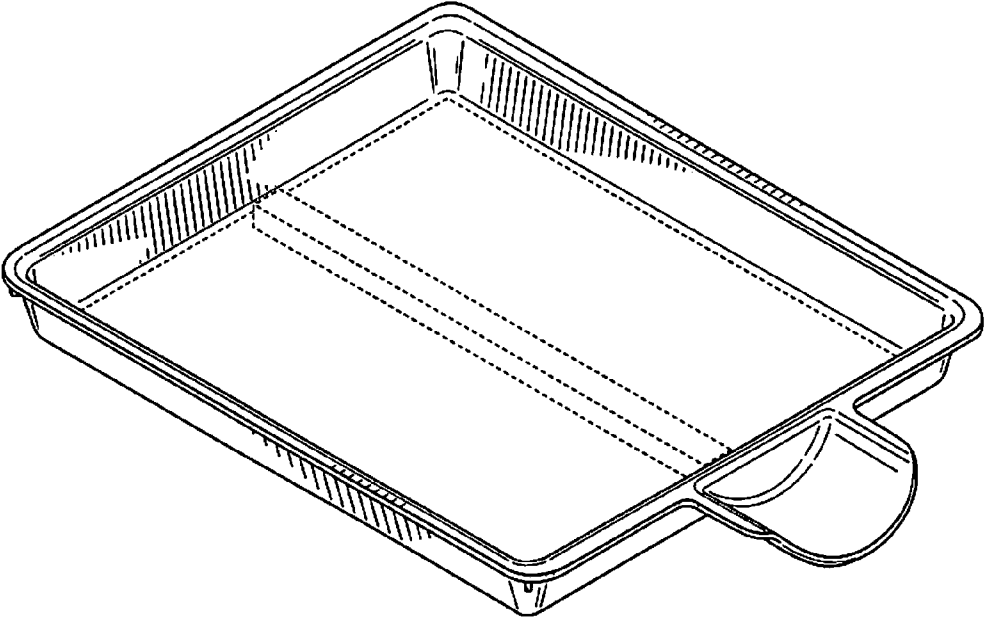


FIG. 9