



US0D1003286S

(12) **United States Design Patent**
Phillips

(10) **Patent No.:** **US D1,003,286 S**

(45) **Date of Patent:** **** Oct. 31, 2023**

- (54) **PHONE CASE WITH FISH FLOATATION DEVICE**
- (71) Applicant: **Michael Ray Phillips**, Encinitas, CA (US)
- (72) Inventor: **Michael Ray Phillips**, Encinitas, CA (US)
- (**) Term: **15 Years**
- (21) Appl. No.: **29/790,949**
- (22) Filed: **Dec. 22, 2021**
- (51) **LOC (14) Cl.** **03-01**
- (52) **U.S. Cl.**
USPC **D3/218; D3/303**
- (58) **Field of Classification Search**
USPC D3/201, 218, 247, 249, 269, 303, 327, D3/328; D14/215, 217, 232, 243, 248, D14/249, 250-253, 432, 440; D13/107, D13/108, 118, 119; D21/473, 597, 599, D21/603
CPC H04B 1/3888; H04M 1/0283; H04M 1/0202; A45F 2005/028; A45F 2200/0525
See application file for complete search history.

D409,715	S	*	5/1999	Cruz	D23/209
D447,622	S	*	9/2001	Weinstock	D3/215
D452,377	S	*	12/2001	Cooke	D8/395
D458,449	S	*	6/2002	Bennett	D3/303
D489,180	S	*	5/2004	Kramer	D3/303
D531,797	S	*	11/2006	Briggs	D3/271.9
D553,851	S	*	10/2007	MacAuley	D3/218
D590,802	S	*	4/2009	Shin	D14/138 AD
D638,081	S	*	5/2011	Julien	D21/803
8,550,714	B2	*	10/2013	Ben-Shushan	A45C 1/02 24/30.5 R
D704,934	S	*	5/2014	Blinka	D3/303
D744,236	S	*	12/2015	Turksu	D3/300
D799,461	S	*	10/2017	Huang	D14/250
D811,493	S	*	2/2018	Walterscheid	D21/599
D826,344	S	*	8/2018	Zhang	D21/599
D841,748	S	*	2/2019	Chiang	D21/599
D915,072	S	*	4/2021	Case	D3/303
D954,437	S	*	6/2022	Yi	D3/218
D981,389	S	*	3/2023	Wang	D14/250

(Continued)

Primary Examiner — L. A. Grabenstetter
(74) *Attorney, Agent, or Firm* — Dunlap Bennett & Ludwig, PLLC; Anna L. Kinney

(57) **CLAIM**

The ornamental design for a phone case with fish floatation device, as shown and described.

DESCRIPTION

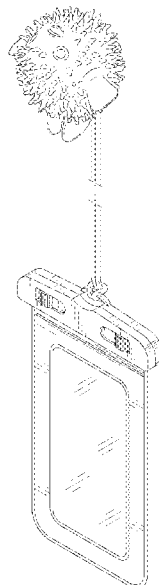
FIG. 1 is a top front perspective view of a phone case with fish floatation device, showing my new design;
FIG. 2 is a front elevation view thereof;
FIG. 3 is a rear elevation view thereof;
FIG. 4 is a right side elevation view thereof;
FIG. 5 is a left side elevation view thereof;
FIG. 6 is a top plan view thereof; and,
FIG. 7 is a bottom plan view thereof.
The broken lines shown in the drawings depict a portion of the article that forms no part of the claimed design.

1 Claim, 4 Drawing Sheets

(56) **References Cited**

U.S. PATENT DOCUMENTS

1,038,351	A	*	9/1912	Graham	B65D 33/26 150/123
2,363,926	A	*	11/1944	Arens	B65D 77/12 383/22
D270,811	S	*	10/1983	Skovgaard	D9/704
D281,800	S	*	12/1985	Routzong	D21/599
5,421,032	A	*	6/1995	Murphy	A41D 27/208 2/247
D362,817	S	*	10/1995	Fryburg	D29/124
5,797,683	A	*	8/1998	Gunzi	A45C 13/008 383/68



(56)

References Cited

U.S. PATENT DOCUMENTS

2007/0014491 A1* 1/2007 MacAuley H05K 5/061
383/68
2022/0031035 A1* 2/2022 Yu A45C 13/008

* cited by examiner

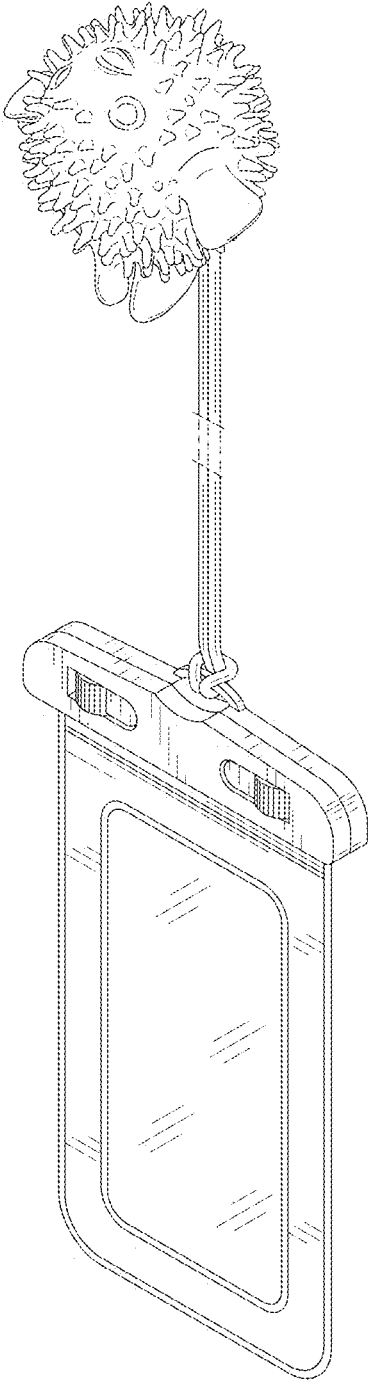


FIG. 1

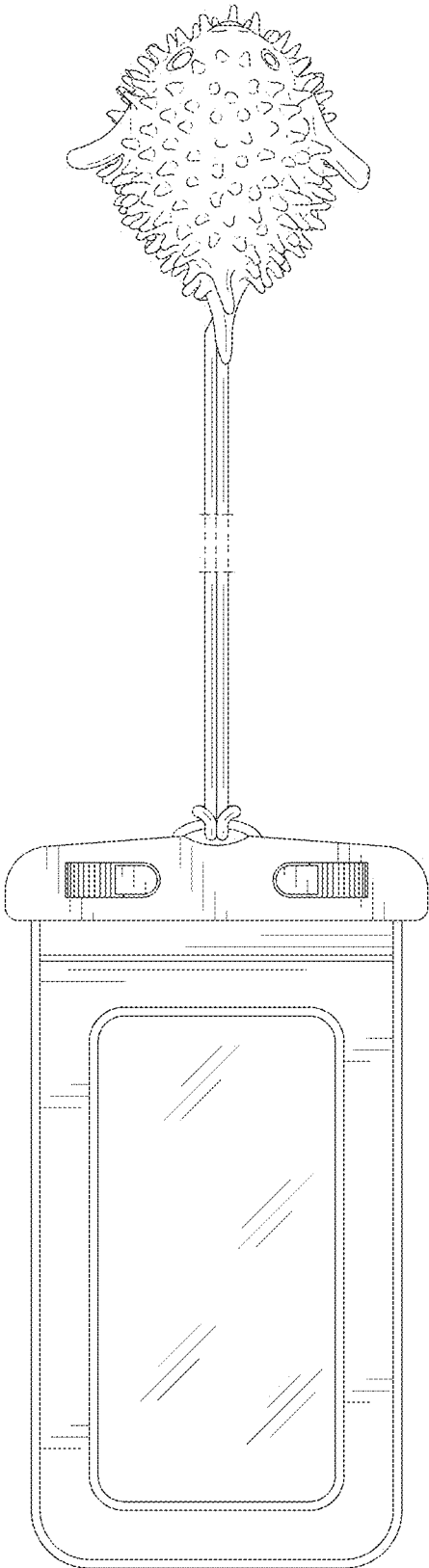


FIG. 2

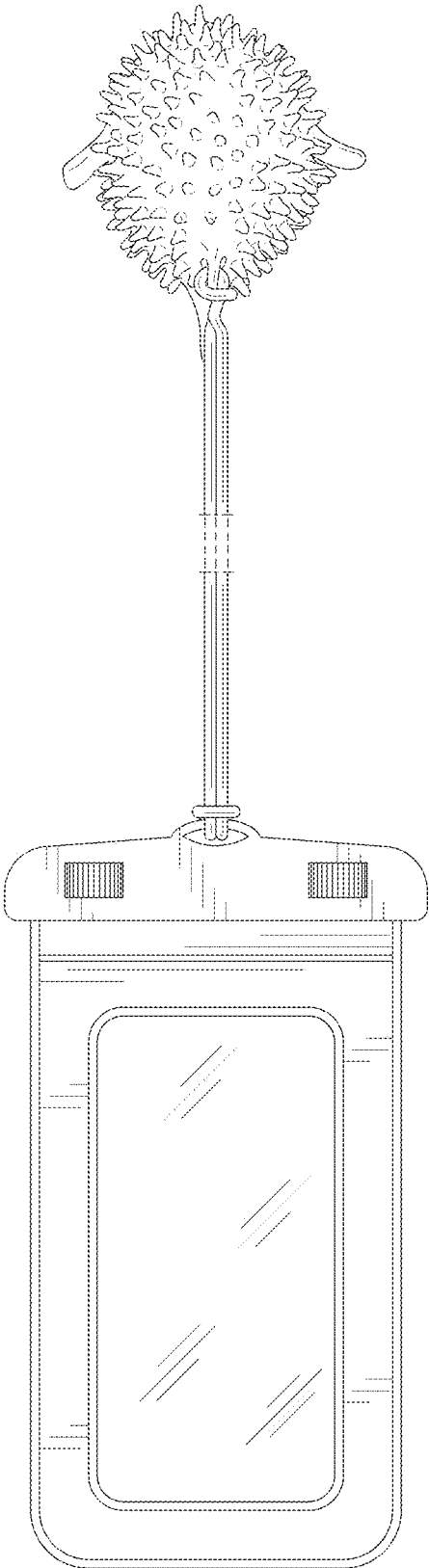


FIG. 3

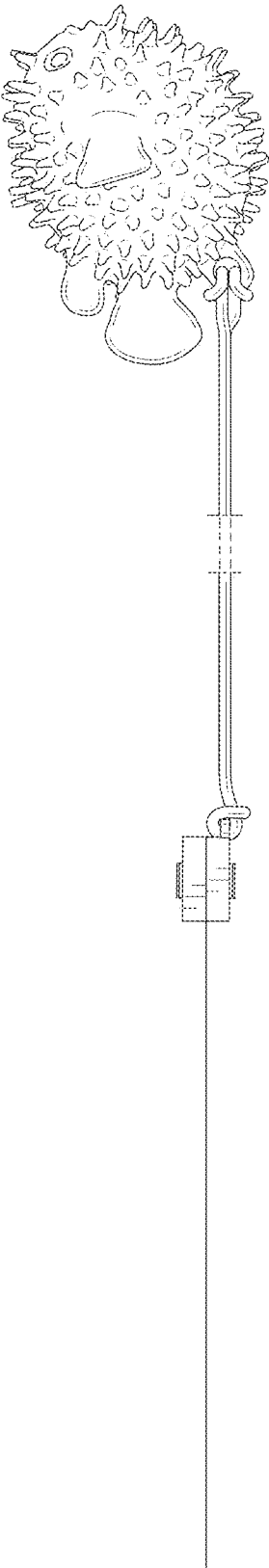


FIG. 4

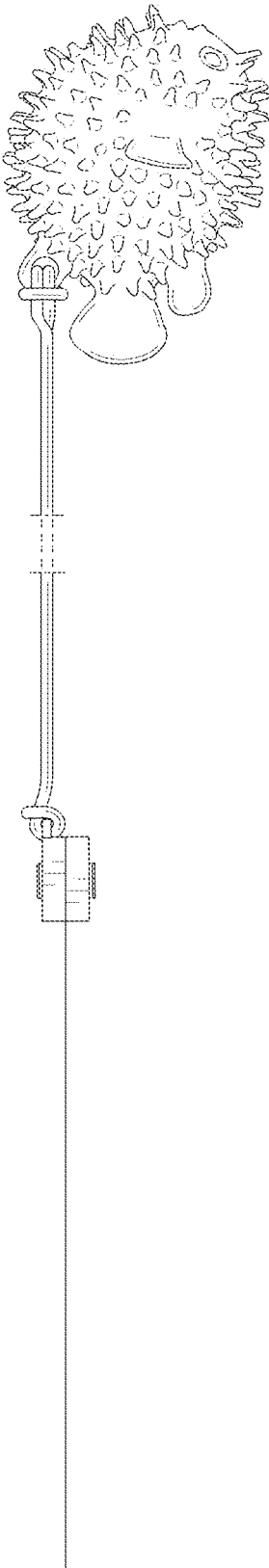


FIG. 5

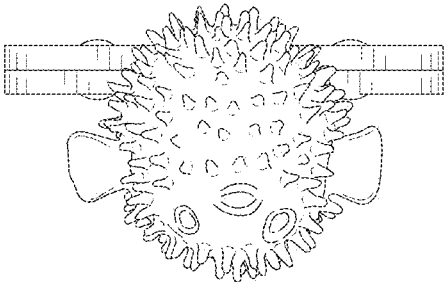


FIG. 6

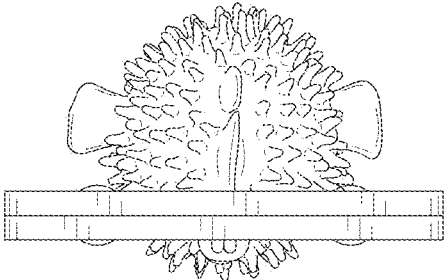


FIG. 7