



US00D487117S

(12) **United States Design Patent**  
**Kang**

(10) **Patent No.:** **US D487,117 S**

(45) **Date of Patent:** **\*\* Feb. 24, 2004**

(54) **GAME CAPSULE**

6,213,871 B1 \* 4/2001 Yokoi ..... 463/7

6,248,017 B1 \* 6/2001 Roach ..... 463/1

6,364,771 B1 \* 4/2002 Lee ..... 273/148 B

(76) Inventor: **James J. Kang**, 402, Morningbil,  
898-17, Daechi4-dong, Gangnam-gu,  
Seoul, 135-840 (KR)

\* cited by examiner

(\*\*) Term: **14 Years**

*Primary Examiner*—Prabhakar Deshmukh

(74) *Attorney, Agent, or Firm*—Fleshner & Kim,LLP

(21) Appl. No.: **29/181,226**

(57) **CLAIM**

(22) Filed: **May 8, 2003**

The ornamental design for a game capsule, as shown and described.

(51) **LOC (7) Cl.** ..... **21-01**

**DESCRIPTION**

(52) **U.S. Cl.** ..... **D21/333; D21/324**

FIG. 1 is a front perspective view of a game capsule showing my new design;

FIG. 2 is a front view thereof;

FIG. 3 is a right side view thereof;

FIG. 4 is a left side view thereof;

FIG. 5 is a top view thereof;

FIG. 6 is a bottom view thereof; and,

FIG. 7 is a rear view thereof.

(58) **Field of Search** ..... D21/324-333;  
273/148 B; 463/1, 7, 29-35, 46, 47; 348/156,  
905, 473

(56) **References Cited**

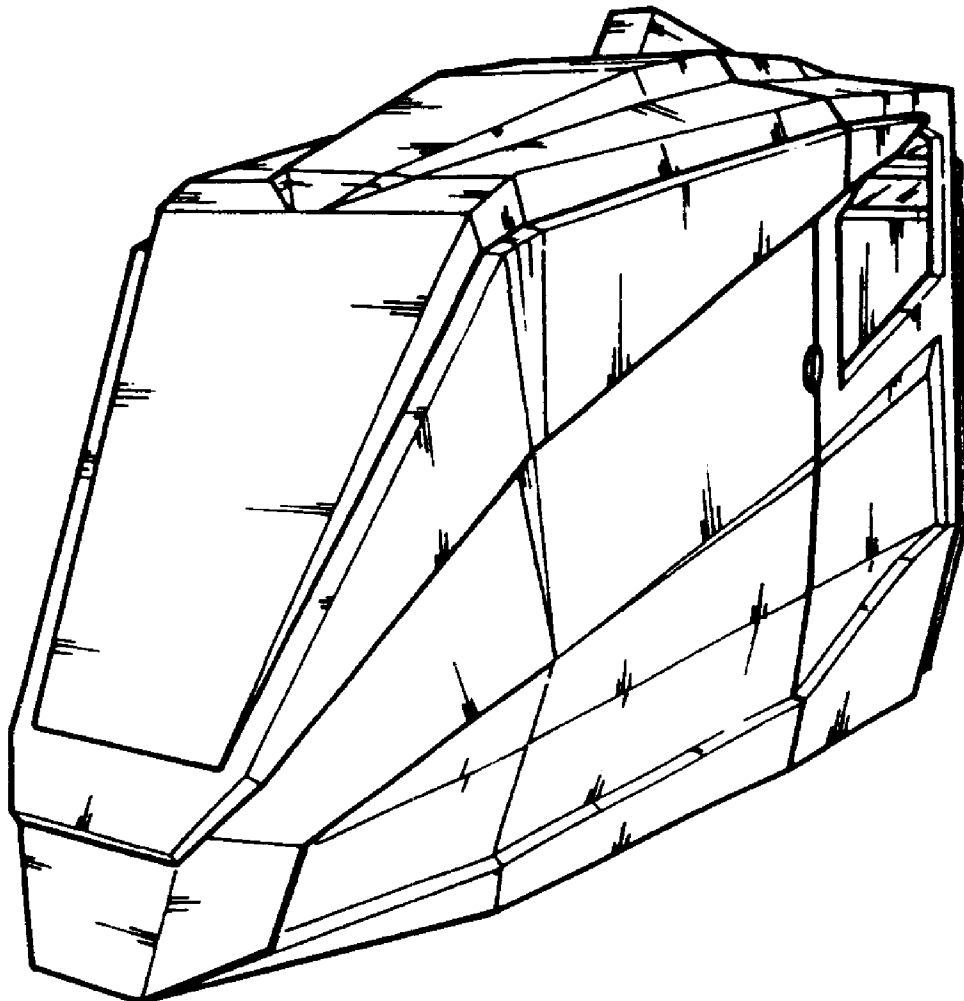
**U.S. PATENT DOCUMENTS**

D384,110 S \* 9/1997 Stambolic et al. .... D21/324

D412,722 S \* 8/1999 Bagley ..... D21/329

D439,282 S \* 3/2001 Yamaguchi ..... D21/329

**1 Claim, 4 Drawing Sheets**



# Figure 1

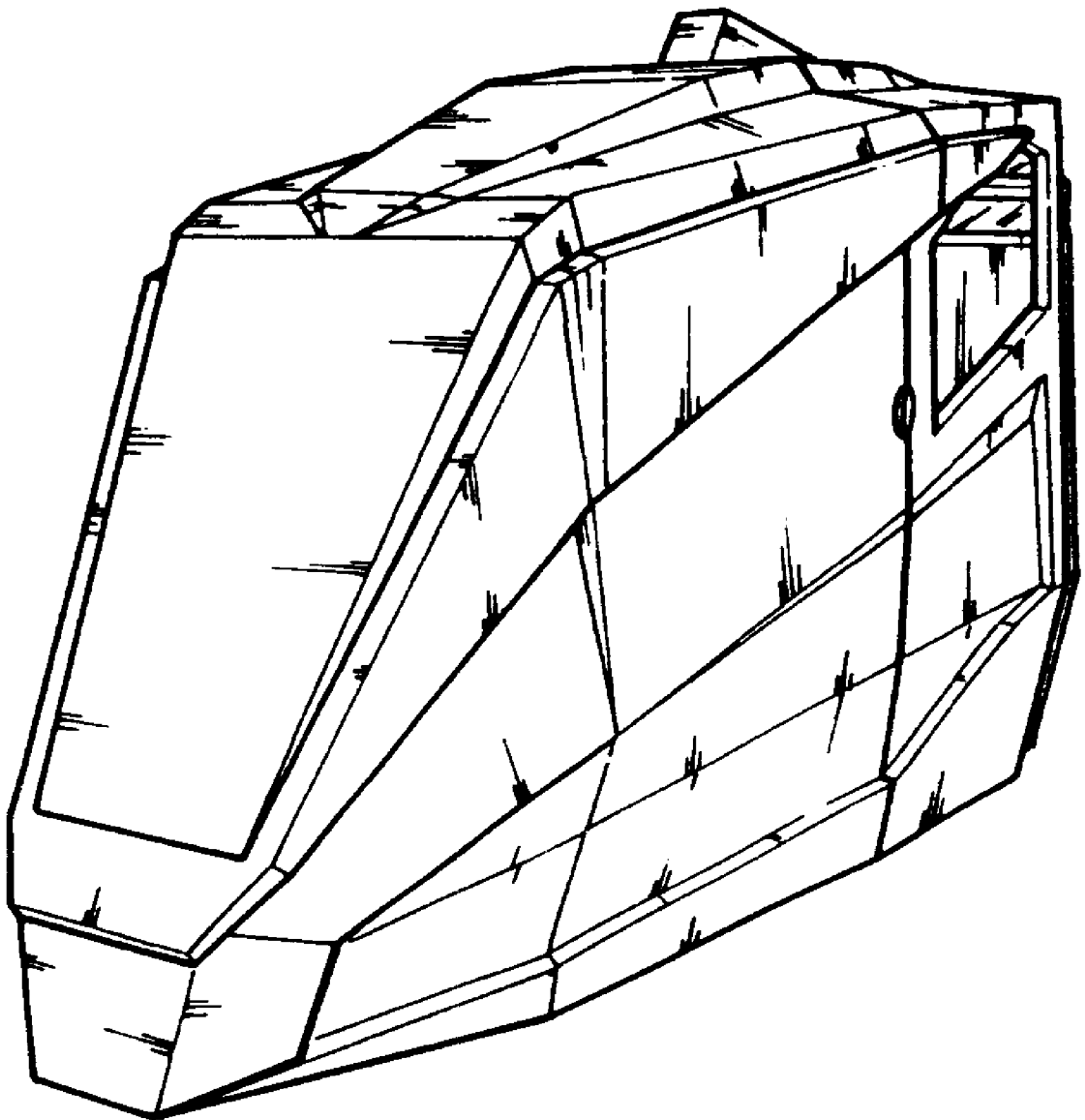


Figure 2

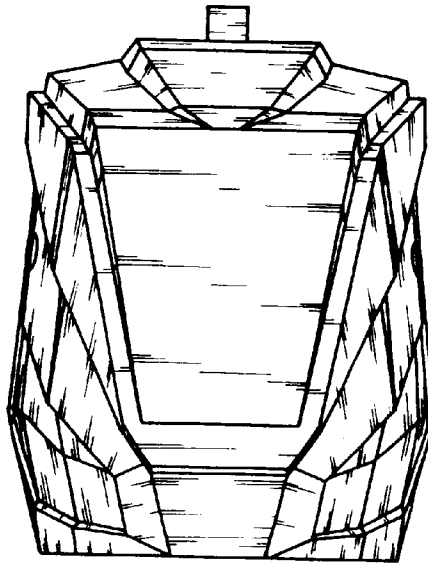


Figure 3

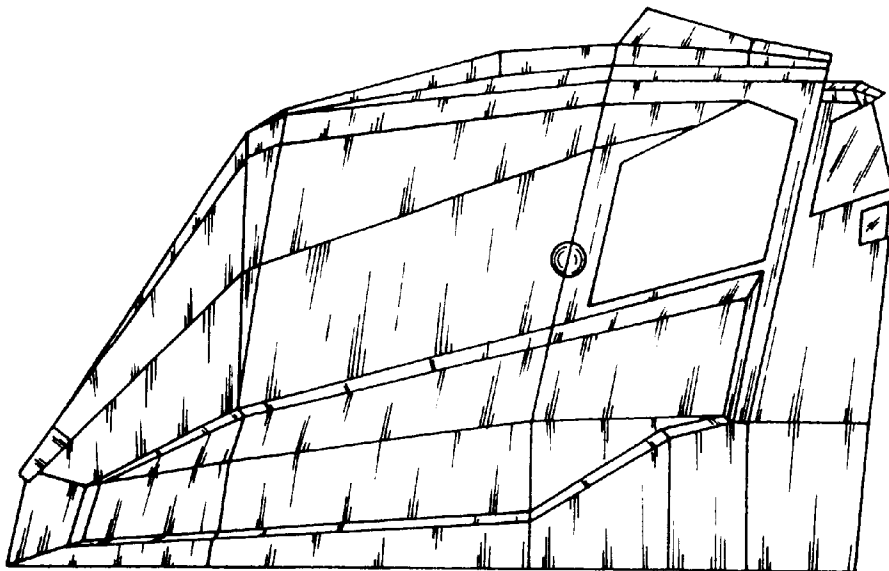


Figure 4

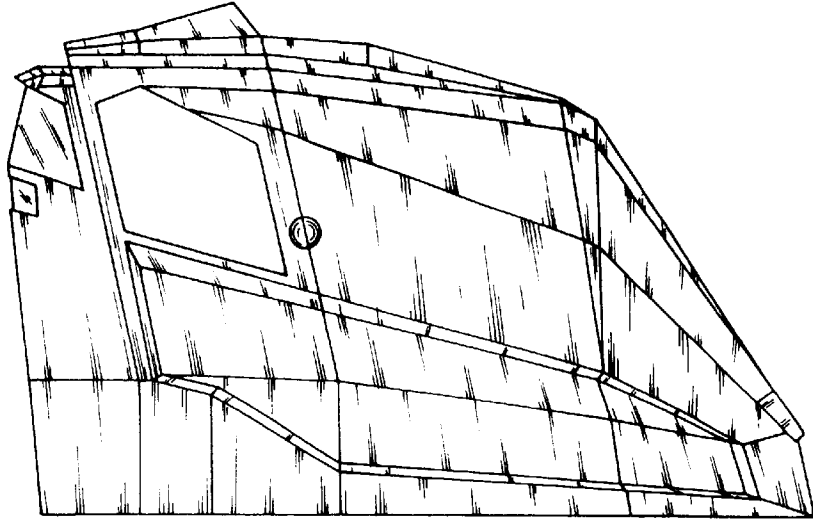


Figure 5

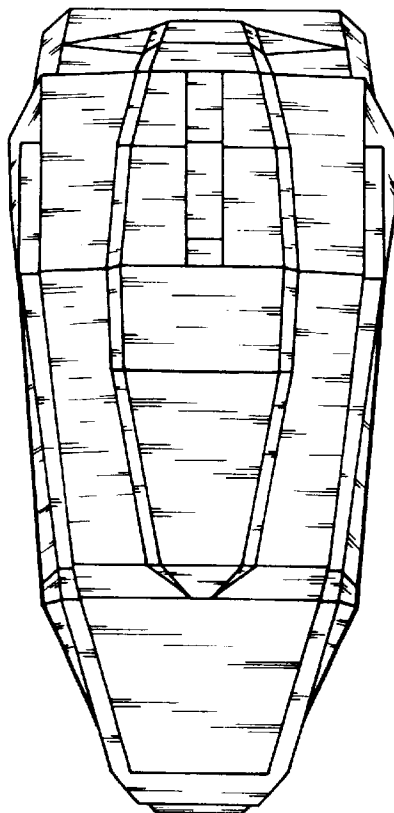


Figure 6

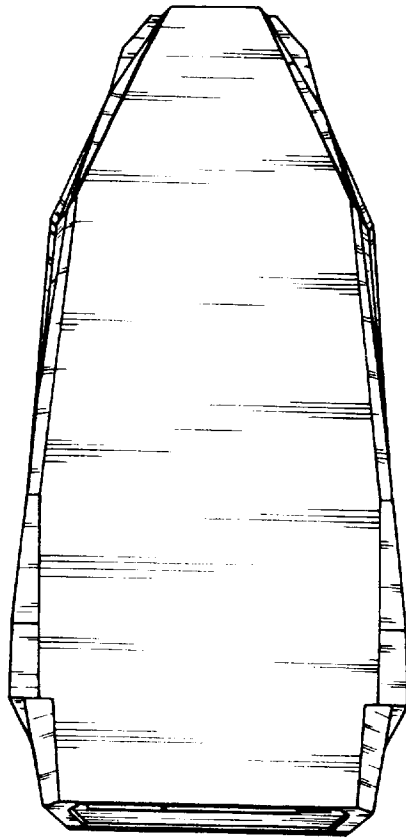


Figure 7

