



US00D930403S

(12) **United States Design Patent** (10) **Patent No.:** **US D930,403 S**  
**Diamond et al.** (45) **Date of Patent:** **\*\* Sep. 14, 2021**

(54) **SEAT COVER**  
(71) Applicant: **Plasticolor Inc.**, Fullerton, CA (US)  
(72) Inventors: **Shawn A. Diamond**, Fullerton, CA (US); **Eric M. Peterson**, Fullerton, CA (US)

D824,700 S \* 8/2018 Wang ..... D6/611  
D882,299 S \* 4/2020 Benezri ..... D6/611  
D883,683 S \* 5/2020 Fosu ..... D6/333  
D902,630 S \* 11/2020 Chen ..... D6/611  
2013/0134751 A1\* 5/2013 Jammalamadaka . B60N 2/6027  
297/220  
2015/0307000 A1\* 10/2015 Kozaki ..... B60N 2/58  
280/730.2

(Continued)

(73) Assignee: **Plasticolor Molded Products, Inc.**, Fullerton, CA (US)

**OTHER PUBLICATIONS**

(\*\*) Term: **15 Years**

Plasticolor Ford Black Sideless Seat Cover by Plasticolor sold on Amazon.com. Sep. 11, 2013. Accessed on Jun. 24, 2019. (Year: 2013).\*

(Continued)

(21) Appl. No.: **29/629,546**

(22) Filed: **Dec. 13, 2017**

(51) **LOC (13) Cl.** ..... **06-13**

(52) **U.S. Cl.** ..... **D6/611**  
USPC ..... **D6/611**

(58) **Field of Classification Search**  
USPC ..... D6/333, 601, 608, 610-613, 616, 715, D6/715.1, 715.2, 716.1; D12/416, 425; D14/239, 450

CPC ..... A47C 31/10; A47C 31/11; A47C 7/386; A47C 7/42; B60N 2/58; B60N 2/60; B60N 2/6009; B60N 2/6036; B60N 2/663

See application file for complete search history.

*Primary Examiner* — Kevin K Rudzinski  
*Assistant Examiner* — Clare Ann Gannon  
(74) *Attorney, Agent, or Firm* — Stradling Yocca Carlson & Rauth

(57) **CLAIM**

The ornamental design of the seat cover, as shown and described.

**DESCRIPTION**

(56) **References Cited**

**U.S. PATENT DOCUMENTS**

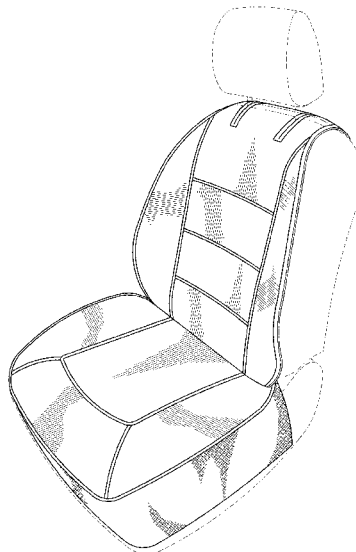
D264,401 S \* 5/1982 Trotman ..... D6/611  
D403,169 S \* 12/1998 Tseng ..... D6/366  
D440,107 S \* 4/2001 Hsu ..... D6/611  
D476,492 S \* 7/2003 Yamamoto ..... D6/335  
D518,319 S \* 4/2006 True ..... B60N 2/58  
D6/366  
D541,562 S \* 5/2007 Grove ..... D6/366  
D706,048 S \* 6/2014 Wang ..... B60N 2/58  
D6/366  
D716,585 S \* 11/2014 Peterson ..... B60N 2/58  
D6/611  
D730,083 S \* 5/2015 Walsh ..... D6/611

FIG. 1 is a top right perspective view of a seat cover showing the new design in a configuration of use on an environmental car seat;

FIG. 2 is a top left perspective view thereof;  
FIG. 3 is a left rear perspective view thereof;  
FIG. 4 is a right rear perspective view thereof;  
FIG. 5 is a right side elevation view of the seat cover;  
FIG. 6 is a left side elevational view of the seat cover; and,  
FIG. 7 is a front view of the seat cover in an unfolded, flat orientation.

The broken lines depict environment that forms no part of the claimed design.

**1 Claim, 7 Drawing Sheets**



(56)

**References Cited**

U.S. PATENT DOCUMENTS

2017/0361745 A1\* 12/2017 Ishii ..... B60N 2/58  
2018/0099593 A1\* 4/2018 Fujikake ..... A47C 31/02  
2018/0229682 A1\* 8/2018 Xu ..... B60N 2/58  
2018/0312087 A1\* 11/2018 Ishii ..... A47C 31/02  
2018/0319301 A1\* 11/2018 Haby ..... B60N 2/99  
2018/0339616 A1\* 11/2018 Nil ..... B60N 2/5883  
2019/0023163 A1\* 1/2019 Schrey ..... B60N 2/58  
2019/0031064 A1\* 1/2019 Diamond ..... B60N 2/6036  
2019/0039489 A1\* 2/2019 Fang ..... B60N 2/6063

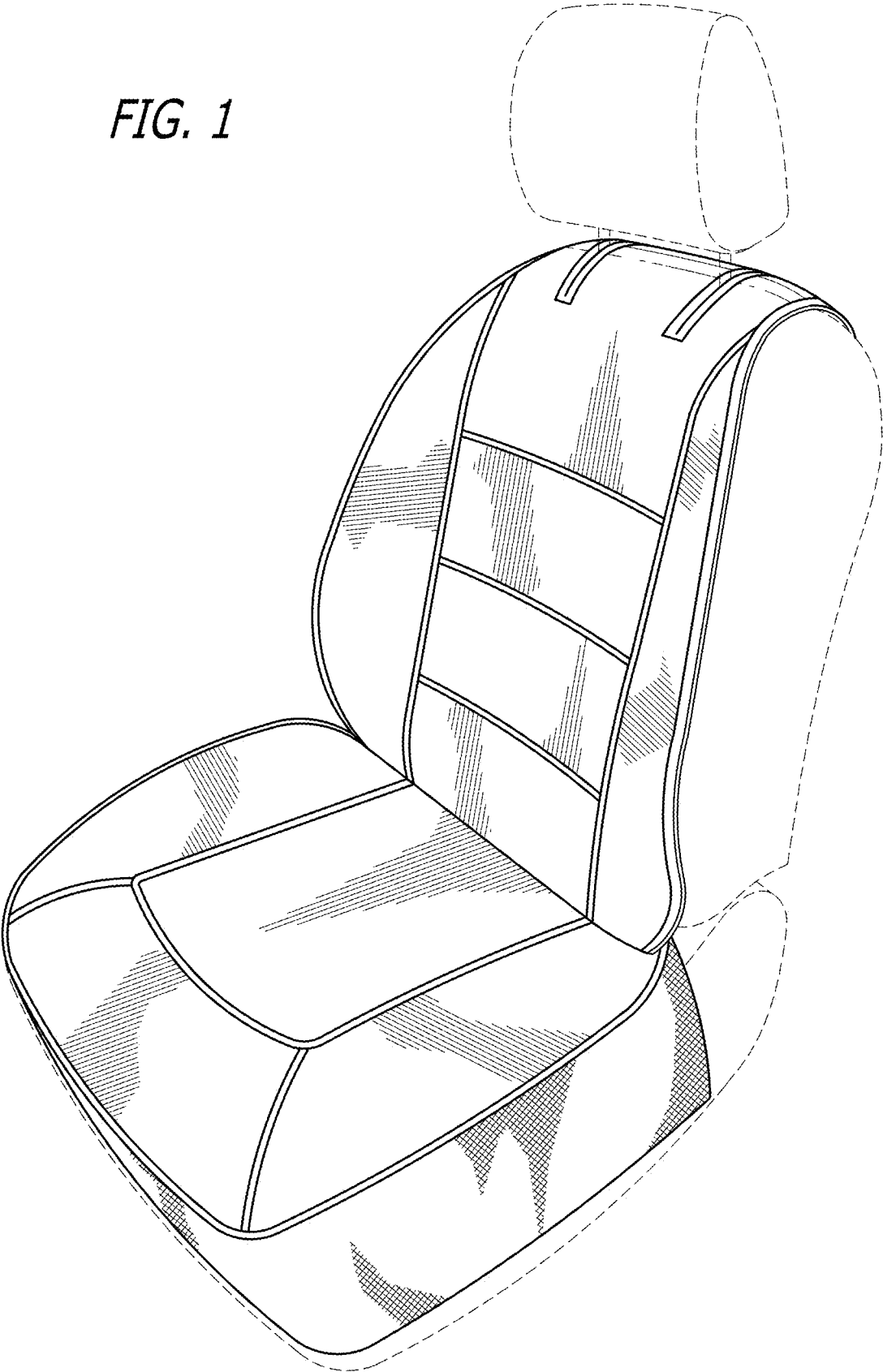
OTHER PUBLICATIONS

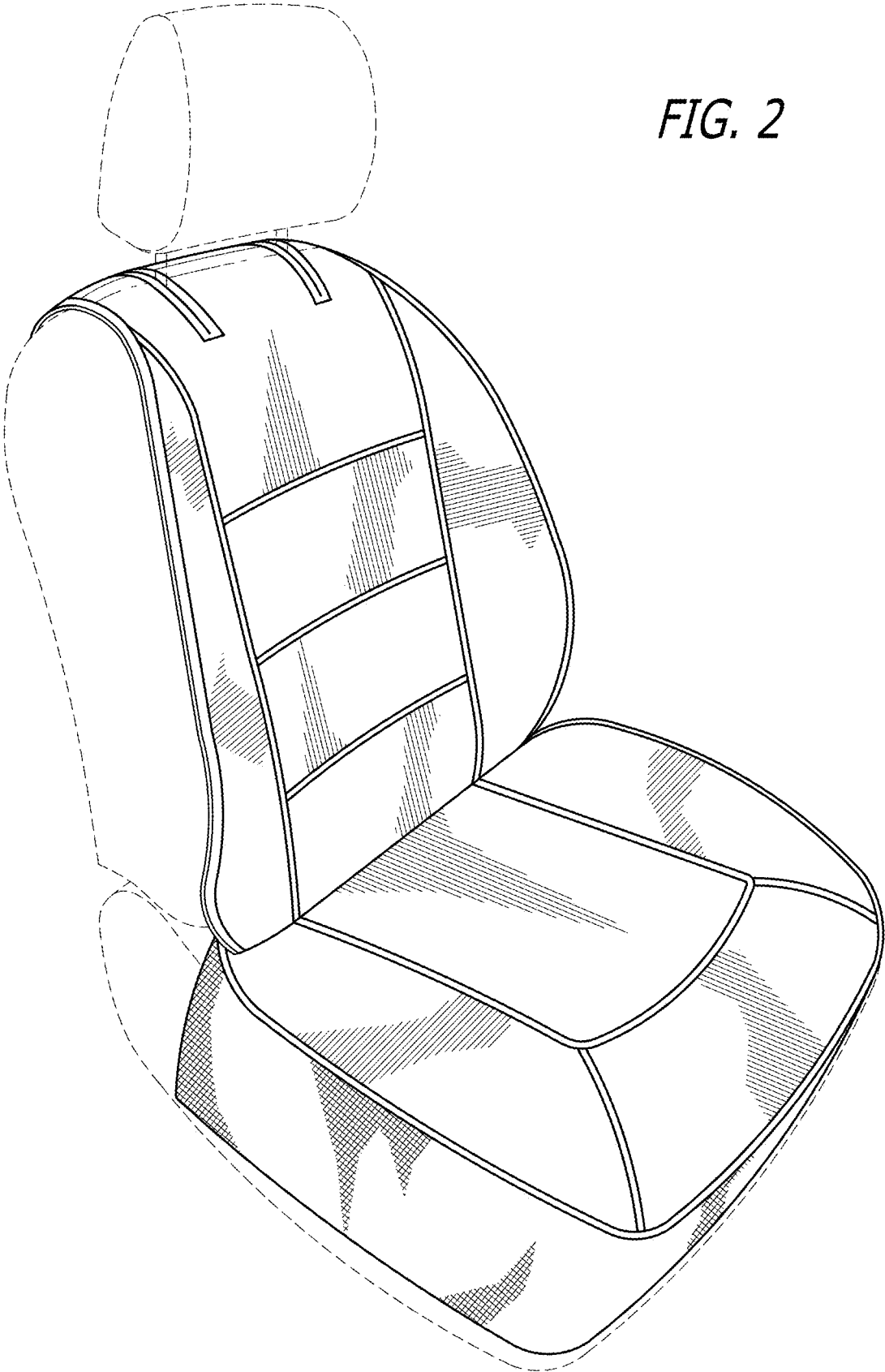
Chevy sideless seat cover with head rest by Plasticolor sold by Autozone. Accessed on Jun. 24, 2019. (Year: 2019).\*

“Plasticolor seat cover” google image search showing results from prior to Dec. 13, 2016. Accessed on Jun. 24, 2019. (Year: 2016).\*

\* cited by examiner

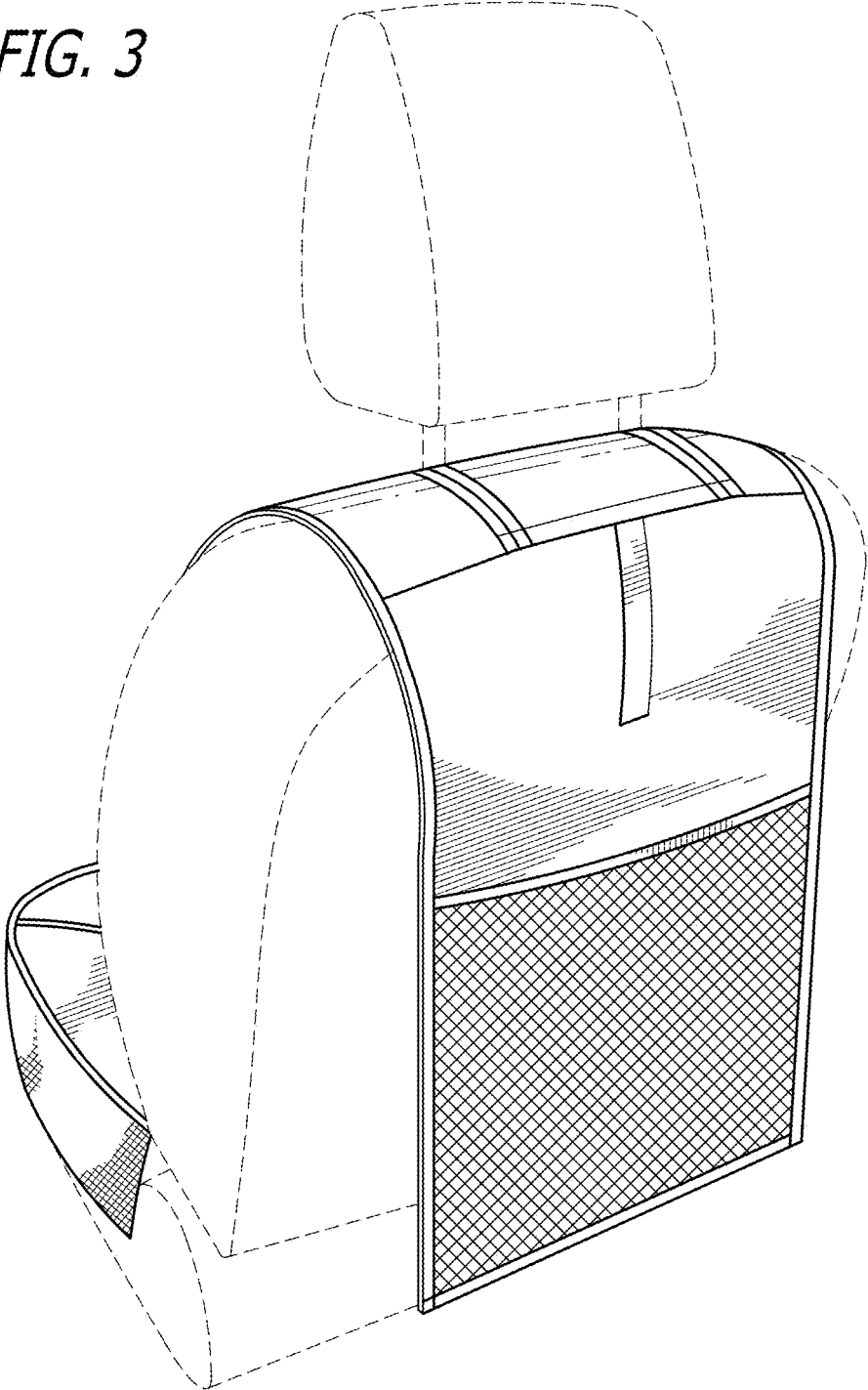
*FIG. 1*





*FIG. 2*

*FIG. 3*



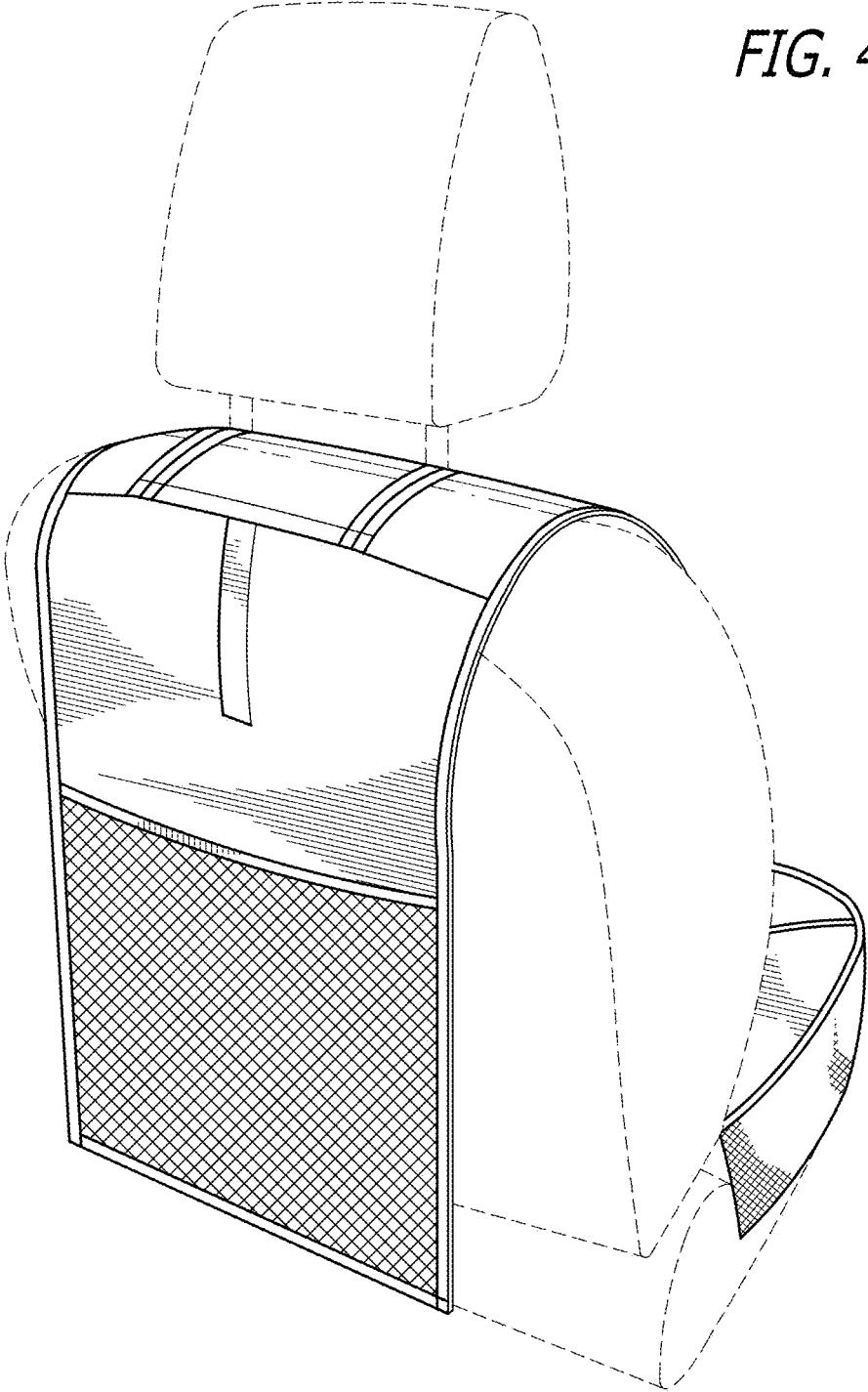
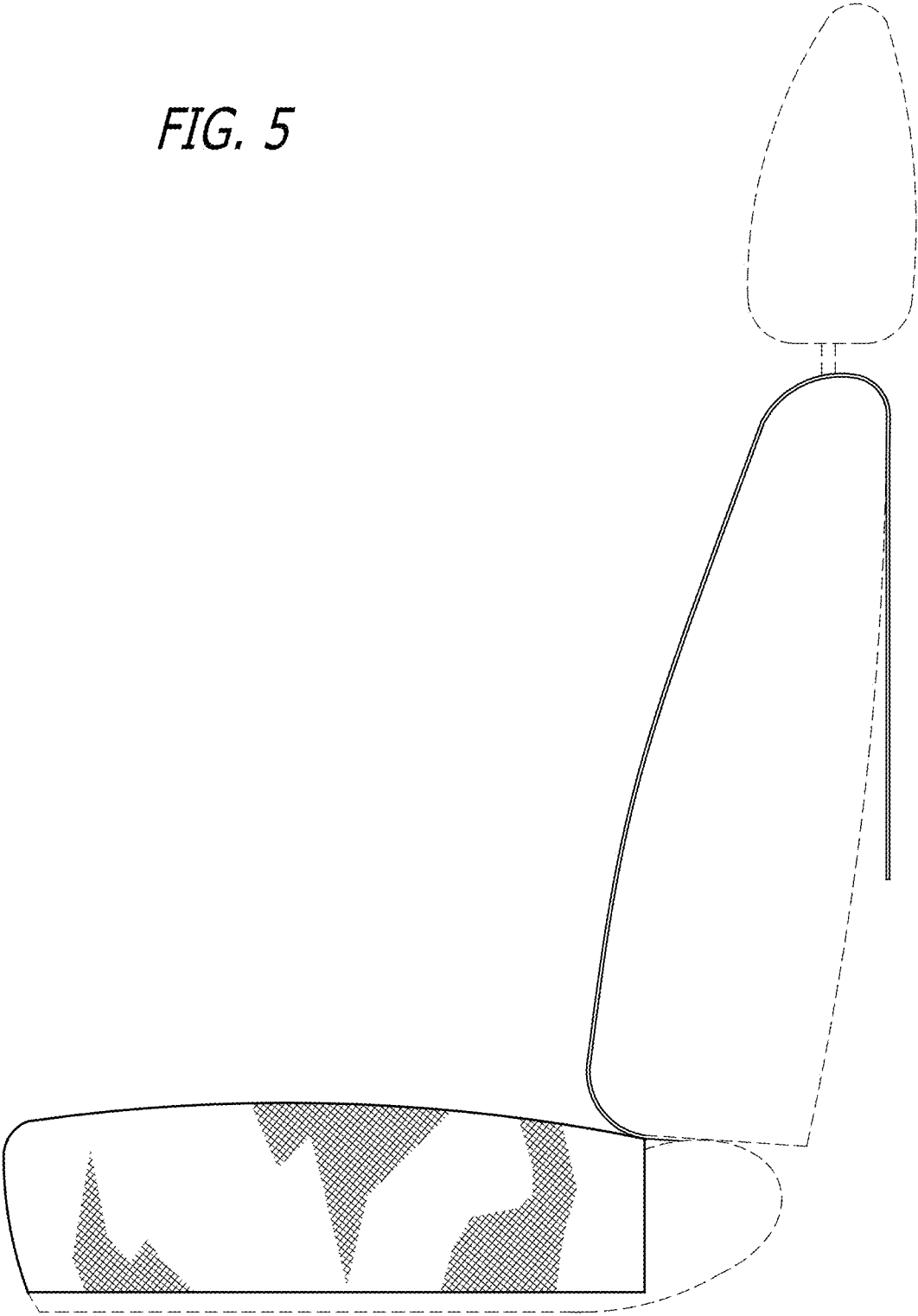


FIG. 4

*FIG. 5*



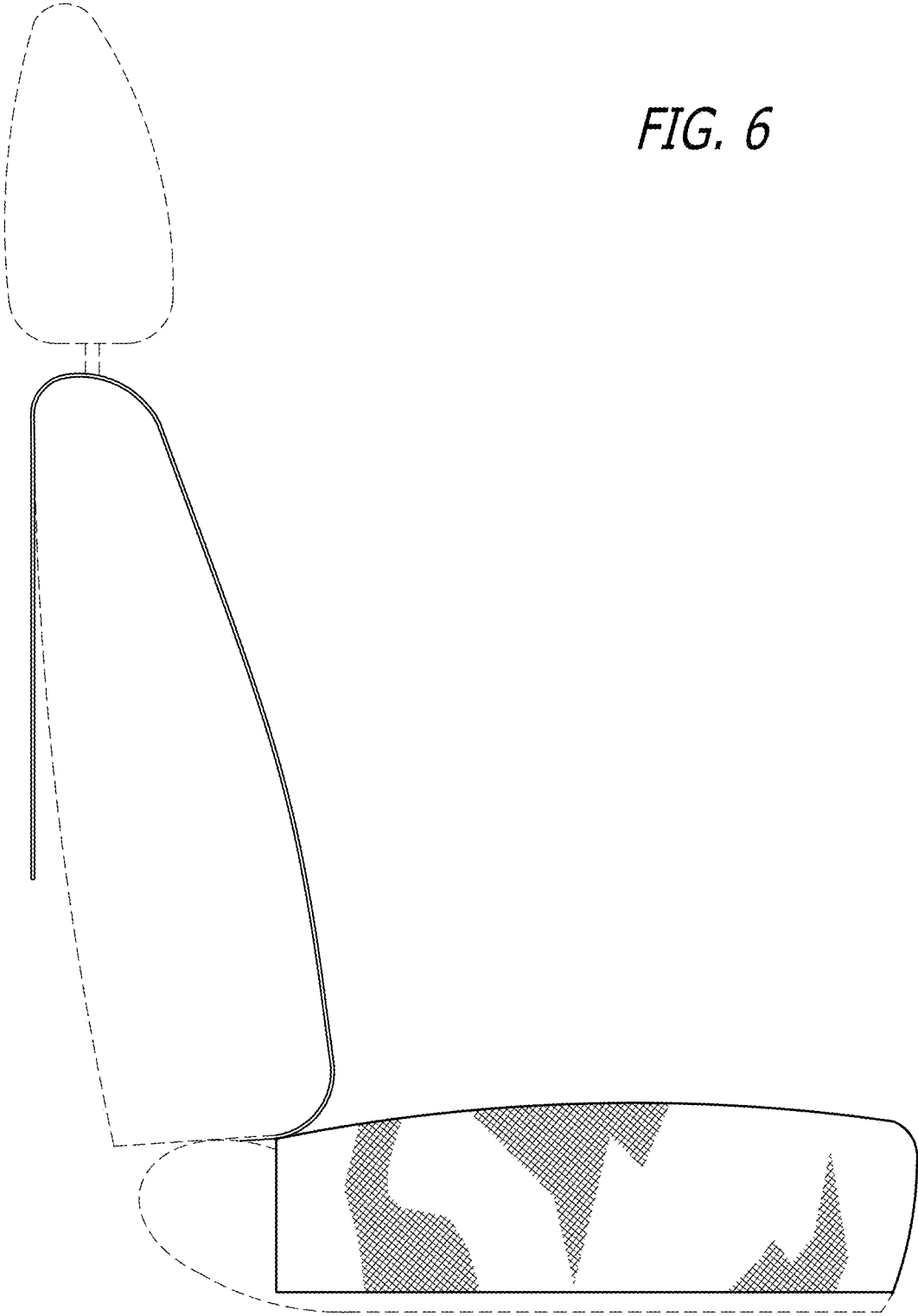


FIG. 6

FIG. 7

