



US00D837348S

(12) **United States Design Patent** (10) **Patent No.:** **US D837,348 S**  
**Rheume et al.** (45) **Date of Patent:** **\*\* Jan. 1, 2019**

(54) **AIRCRAFT LAVATORY CABINET**  
(71) Applicant: **BOMBARDIER INC.**, Dorval (CA)  
(72) Inventors: **Michel Rheume**, St-Hippolyte (CA);  
**Elia Massimo Ruggi**, Laval (CA)  
(73) Assignee: **BOMBARDIER INC.**, Dorval (CA)  
(\*\*) Term: **15 Years**  
(21) Appl. No.: **29/565,146**

2007/0102579 A1 5/2007 Krieglsteiner  
2011/0210203 A1 9/2011 Chua  
2012/0248245 A1\* 10/2012 Schliwa ..... B61D 35/00  
244/118.5  
2012/0261509 A1 10/2012 Grant  
2013/0206906 A1 8/2013 Burrows  
2013/0247590 A1\* 9/2013 Lu ..... F25B 21/02  
62/3.6  
2014/0353425 A1\* 12/2014 Boren, Jr. .... B64D 11/02  
244/118.5  
2014/0355282 A1\* 12/2014 Cuddy ..... B64D 11/04  
362/471  
2014/0359934 A1 12/2014 Schliwa  
2015/0008285 A1 1/2015 Zuardy  
(Continued)

(22) Filed: **May 18, 2016**  
(51) **LOC (11) Cl.** ..... **23-02**  
(52) **U.S. Cl.**  
USPC ..... **D23/270**  
(58) **Field of Classification Search**  
USPC ..... D23/270-274; D12/345, 395; D6/332  
CPC ..... B64D 11/02; B64D 11/04; B64D 11/0606;  
B61D 35/002; B61D 35/005; B61D 35/00  
See application file for complete search history.

**OTHER PUBLICATIONS**

Aircraft Cabin Management, www.aircraftcabinmanagement.com, accessed on Apr. 26, 2016.

*Primary Examiner* — Robert A Delehanty  
(74) *Attorney, Agent, or Firm* — Norton Rose Fulbright Canada LLP

(56) **References Cited**  
U.S. PATENT DOCUMENTS

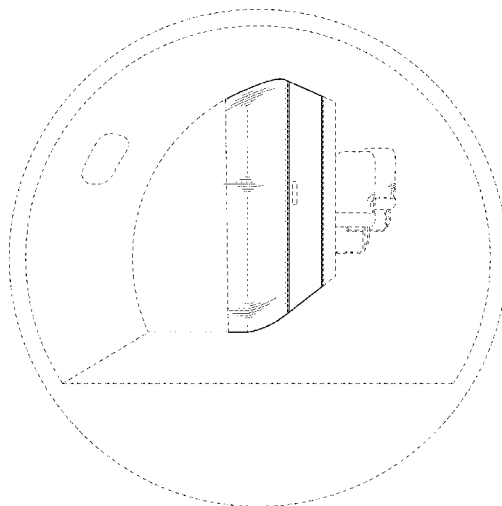
5,150,863 A \* 9/1992 Hozumi ..... B64D 11/02  
244/118.5  
D455,391 S \* 4/2002 Granzeier ..... D12/345  
D486,565 S \* 2/2004 Itakura ..... D23/274  
D487,137 S 2/2004 Itakura  
D529,432 S \* 10/2006 Boren ..... D12/345  
7,934,679 B2 5/2011 Bock  
7,984,875 B2\* 7/2011 Koehn ..... B64C 1/1469  
244/118.5  
8,573,537 B2 11/2013 Bock  
8,882,035 B2 11/2014 France  
D730,804 S \* 6/2015 Cuddy ..... D12/345  
9,321,533 B2 4/2016 Cuddy  
D766,790 S \* 9/2016 Sethapun ..... D12/195  
9,840,329 B2\* 12/2017 Godecker ..... B64D 11/04  
2005/0116098 A1\* 6/2005 Martens ..... B64C 1/1469  
244/118.5

(57) **CLAIM**  
We claim the ornamental design for an aircraft lavatory cabinet, as shown and described.

**DESCRIPTION**

FIG. 1 is a perspective view of an aircraft lavatory cabinet showing our new design; FIG. 2 is a front view thereof; FIG. 3 is a right side view thereof; and, FIG. 4 is a top view thereof. The broken lines immediately adjacent the shaded areas represent the bounds of the claimed design while all other broken lines are directed to environment and are for illustrative purposes only; the broken lines form no part of the claimed design.

**1 Claim, 4 Drawing Sheets**



(56)

**References Cited**

U.S. PATENT DOCUMENTS

2016/0052632 A1 2/2016 Mbanefo  
2016/0059966 A1 3/2016 Dryburgh

\* cited by examiner

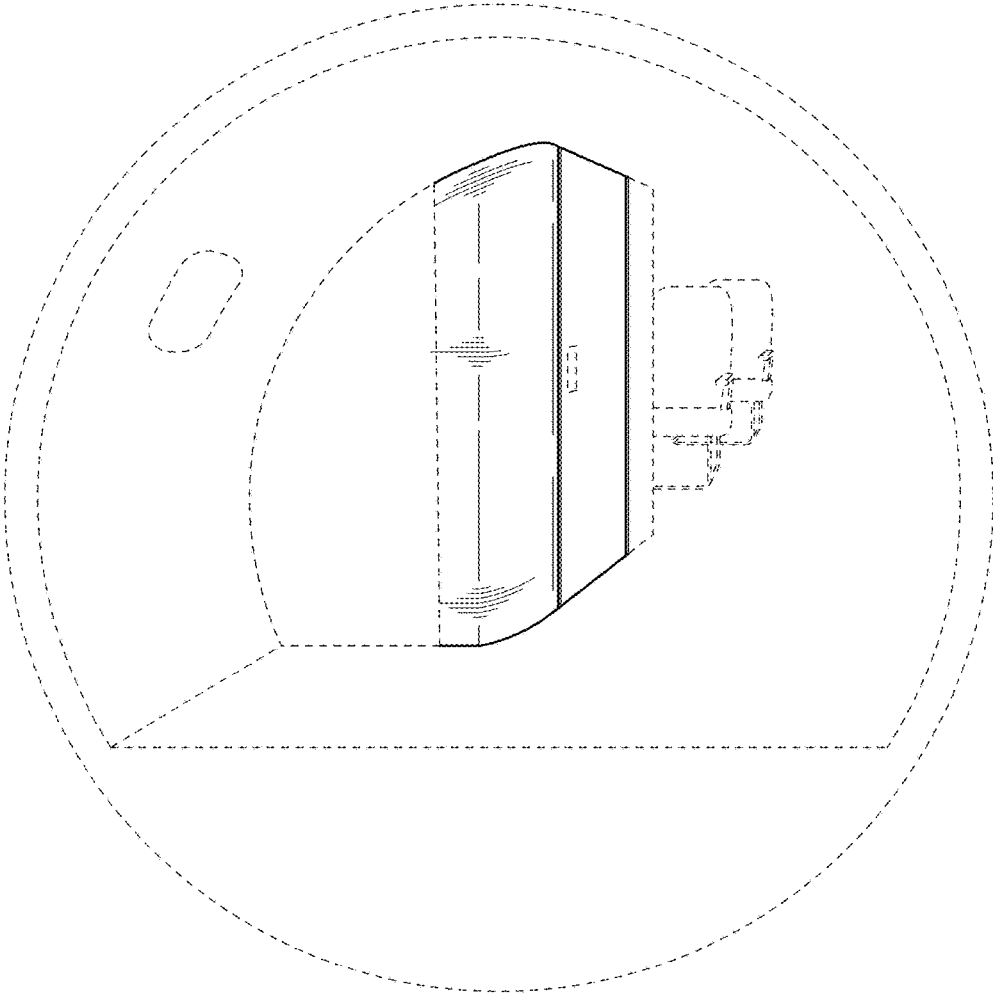
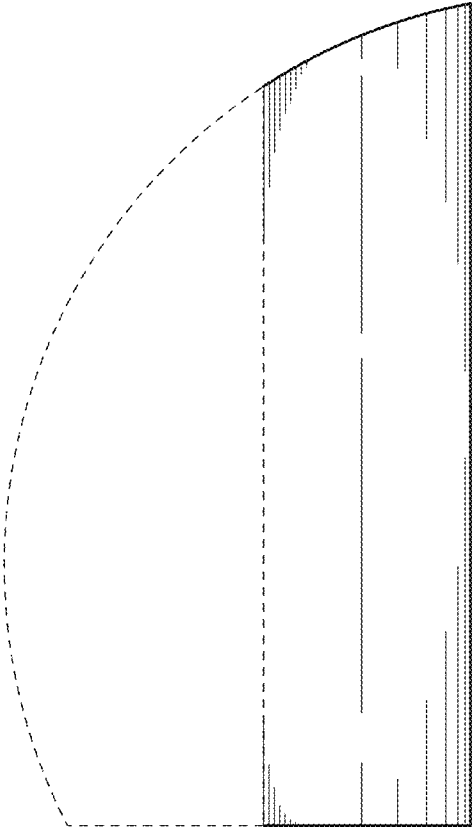
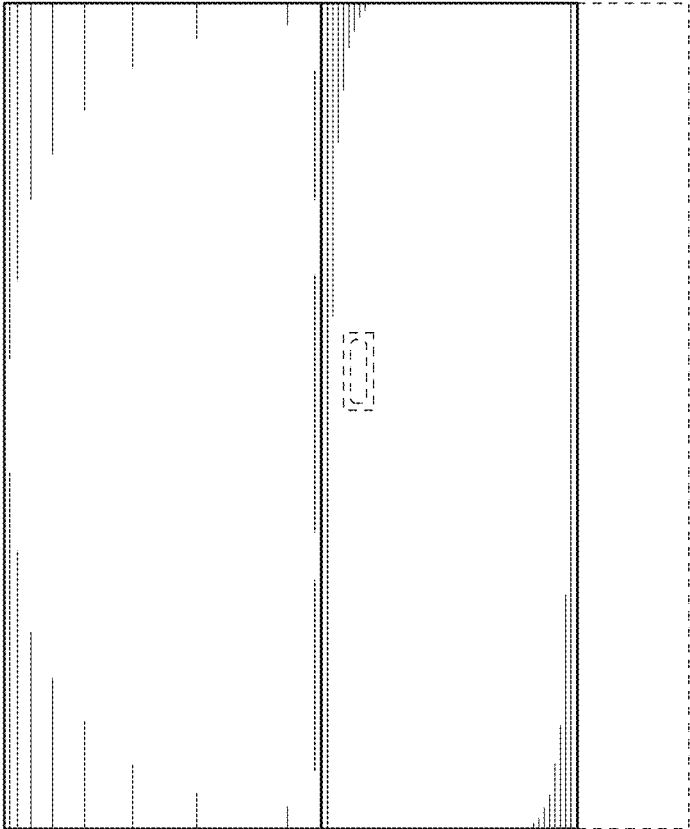


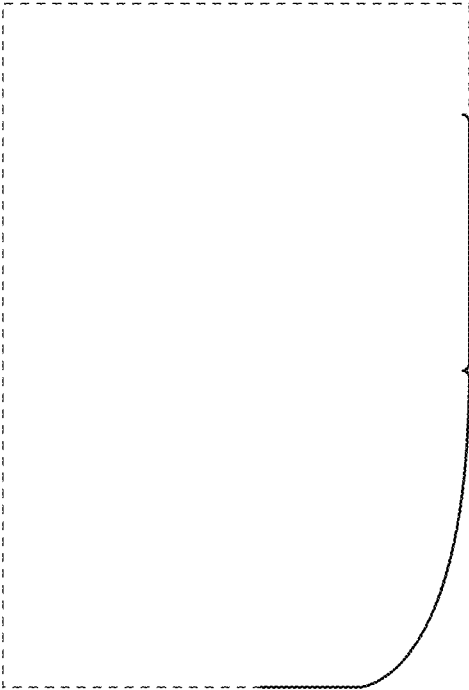
Fig. 1



**Fig. 2**



**Fig. 3**



**Fig. 4**