



US00D994747S

(12) **United States Design Patent**  
**Zhao**

(10) **Patent No.:** **US D994,747 S**

(45) **Date of Patent:** **\*\* Aug. 8, 2023**

(54) **DIGITAL CAMERA**

(71) Applicant: **SHENZHEN GOLDSLAND  
PRECISION MOLD & PLASTLC  
PRODUCTS CO., LTD.,** Shenzhen  
(CN)

(72) Inventor: **Xuping Zhao,** Shantou (CN)

(73) Assignee: **SHENZHEN GOLDSLAND  
PRECISION MOLD & PLASTLC  
PRODUCTS CO., LTD.,** Shenzhen  
(CN)

(\*\*) Term: **15 Years**

(21) Appl. No.: **29/870,063**

(22) Filed: **Jan. 16, 2023**

(51) **LOC (14) Cl.** ..... **16-01**

(52) **U.S. Cl.**  
USPC ..... **D16/200**

(58) **Field of Classification Search**  
USPC ..... D16/100–101, 130, 134, 200, 202, 204,  
D16/208–209, 216–220, 230, 237, 242,  
D16/245, 248, 250, 300, 301, 304, 313,  
D16/334  
CPC ..... A45F 2200/0533; A61B 5/0077; B60G  
2401/142; G01B 11/00; H04N 2201/0084;  
H04N 23/00; H04N 23/63; H04N 23/51;  
G06F 3/04817

See application file for complete search history.

(56) **References Cited**

**U.S. PATENT DOCUMENTS**

D283,713 S \* 5/1986 Maitani ..... D16/217  
D521,542 S \* 5/2006 Inaba ..... D16/218  
D552,646 S \* 10/2007 Bai ..... D16/202  
D558,806 S \* 1/2008 Nakamura ..... D16/202  
D646,314 S \* 10/2011 Nohara ..... D16/202  
D662,958 S \* 7/2012 Fujita ..... D16/202

D713,869 S \* 9/2014 Kim ..... D16/202  
D714,373 S \* 9/2014 Kim ..... D16/200  
D721,118 S \* 1/2015 Chai ..... D16/209  
D810,172 S \* 2/2018 Miyashita ..... D16/219  
D821,475 S \* 6/2018 Ikegame ..... D16/200  
D971,991 S 12/2022 Imai  
2017/0199347 A1\* 7/2017 Takeshita ..... G03B 3/10  
2019/0212522 A1\* 7/2019 Imanishi ..... H04N 23/51

**FOREIGN PATENT DOCUMENTS**

JP D1641323 \* 8/2019

\* cited by examiner

*Primary Examiner* — Mary Shannon Malley  
*Assistant Examiner* — Christopher John Suarez La Rosa  
(74) *Attorney, Agent, or Firm* — Nitin Kaushik

(57) **CLAIM**

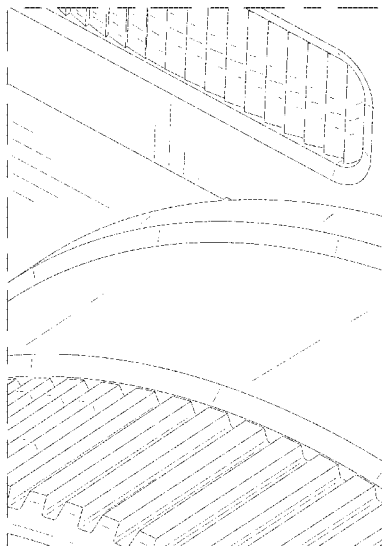
The ornamental design for a digital camera, as shown and described.

**DESCRIPTION**

FIG. 1 is a front perspective view of a digital camera, showing my new design;  
FIG. 2 is a rear perspective view thereof;  
FIG. 3 is a front view thereof;  
FIG. 4 is a rear view thereof;  
FIG. 5 is a left side view thereof;  
FIG. 6 is a right side view thereof;  
FIG. 7 is a top view thereof;  
FIG. 8 is a bottom view thereof;  
FIG. 9 is a partial enlargement of FIG. 1;  
FIG. 10 is a partial enlargement of FIG. 1; and,  
FIG. 11 is a partial enlargement of FIG. 2.

The dash-dash broken lines illustrate portions of the digital camera that form no part of the claimed design. The long dash-short dash broken lines shown in FIGS. 1, 2, and 9-11 depict the boundaries of the enlargements that form no part of the claimed design.

**1 Claim, 11 Drawing Sheets**



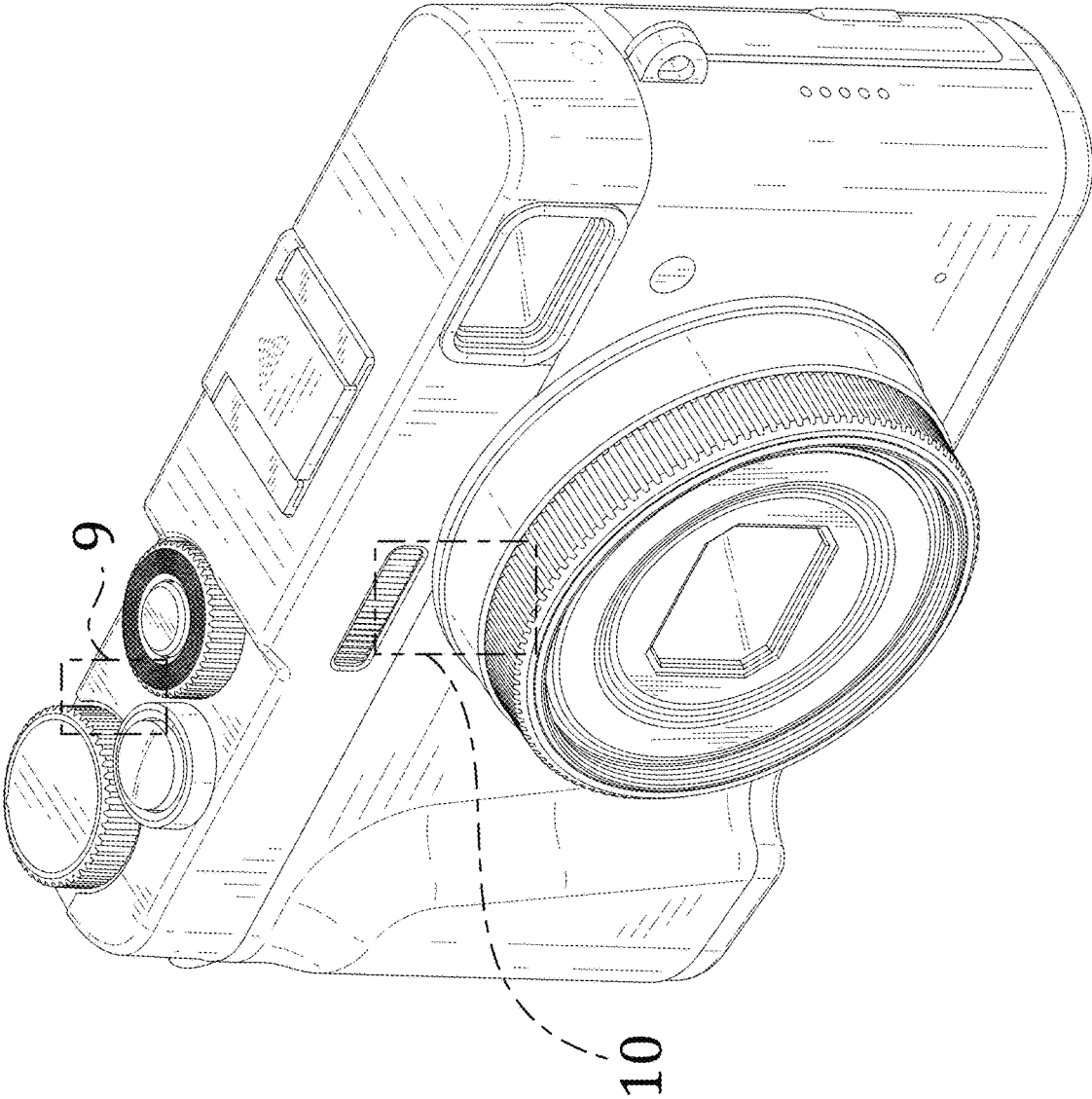


FIG. 1

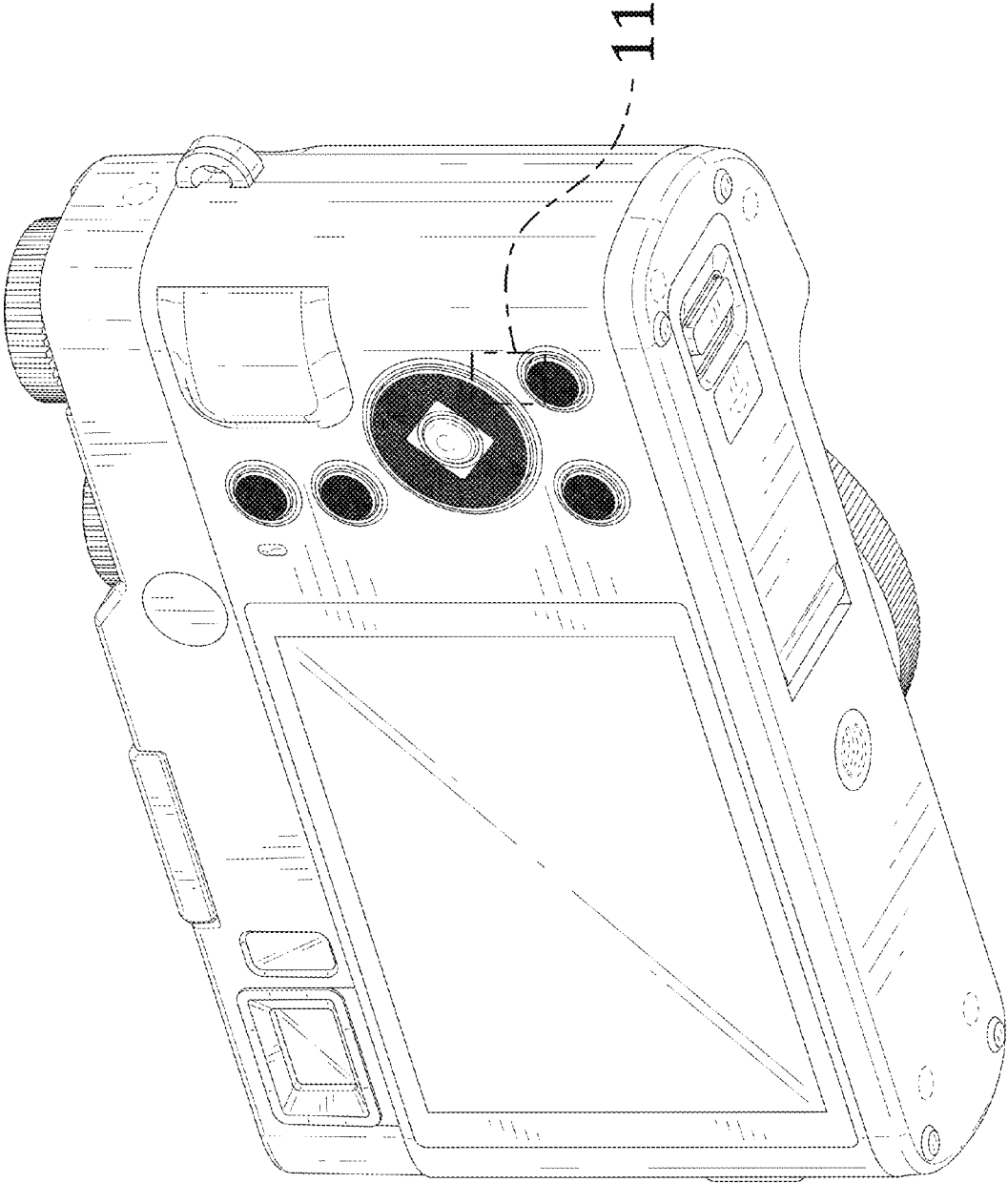


FIG. 2

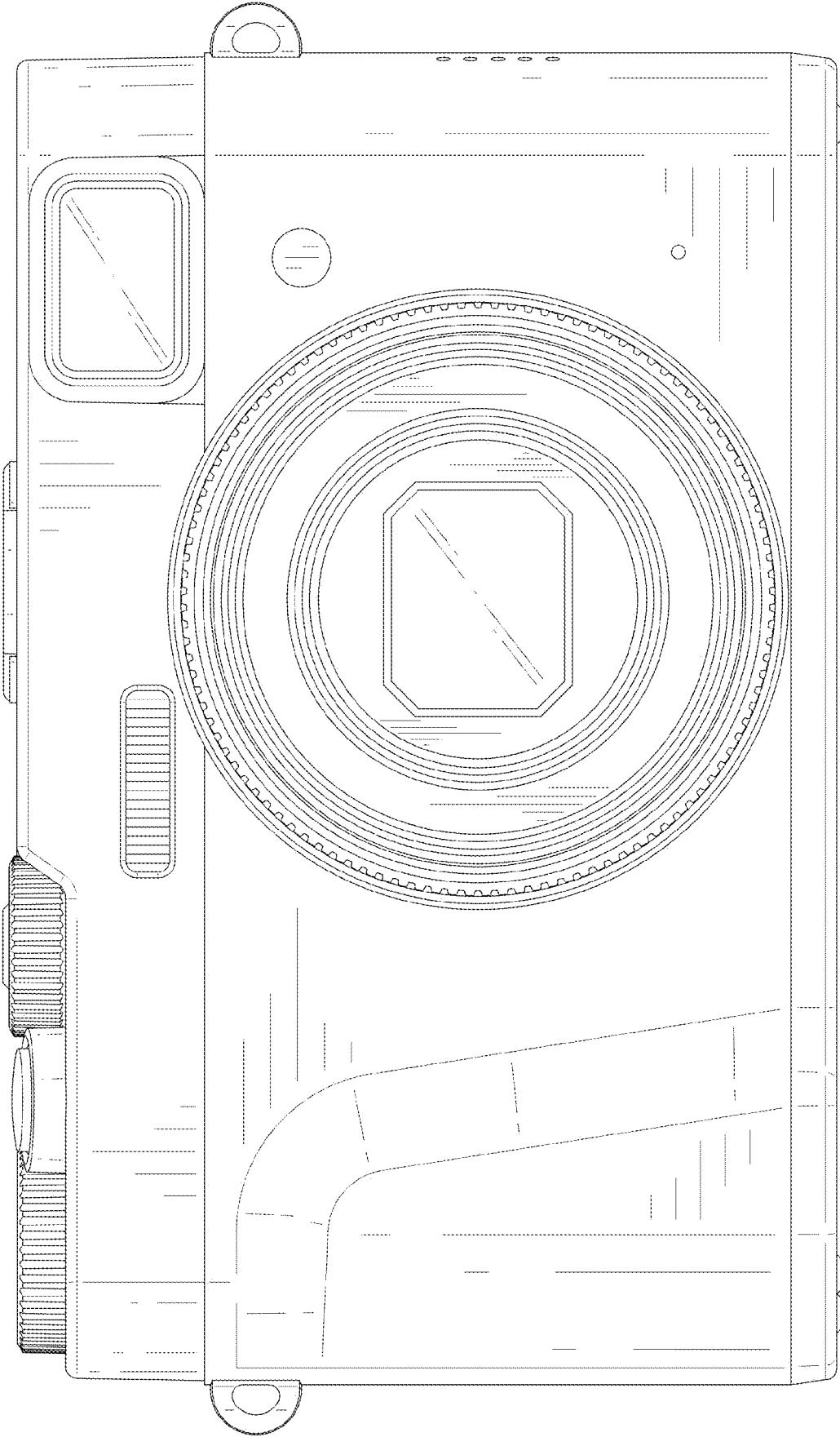


FIG. 3

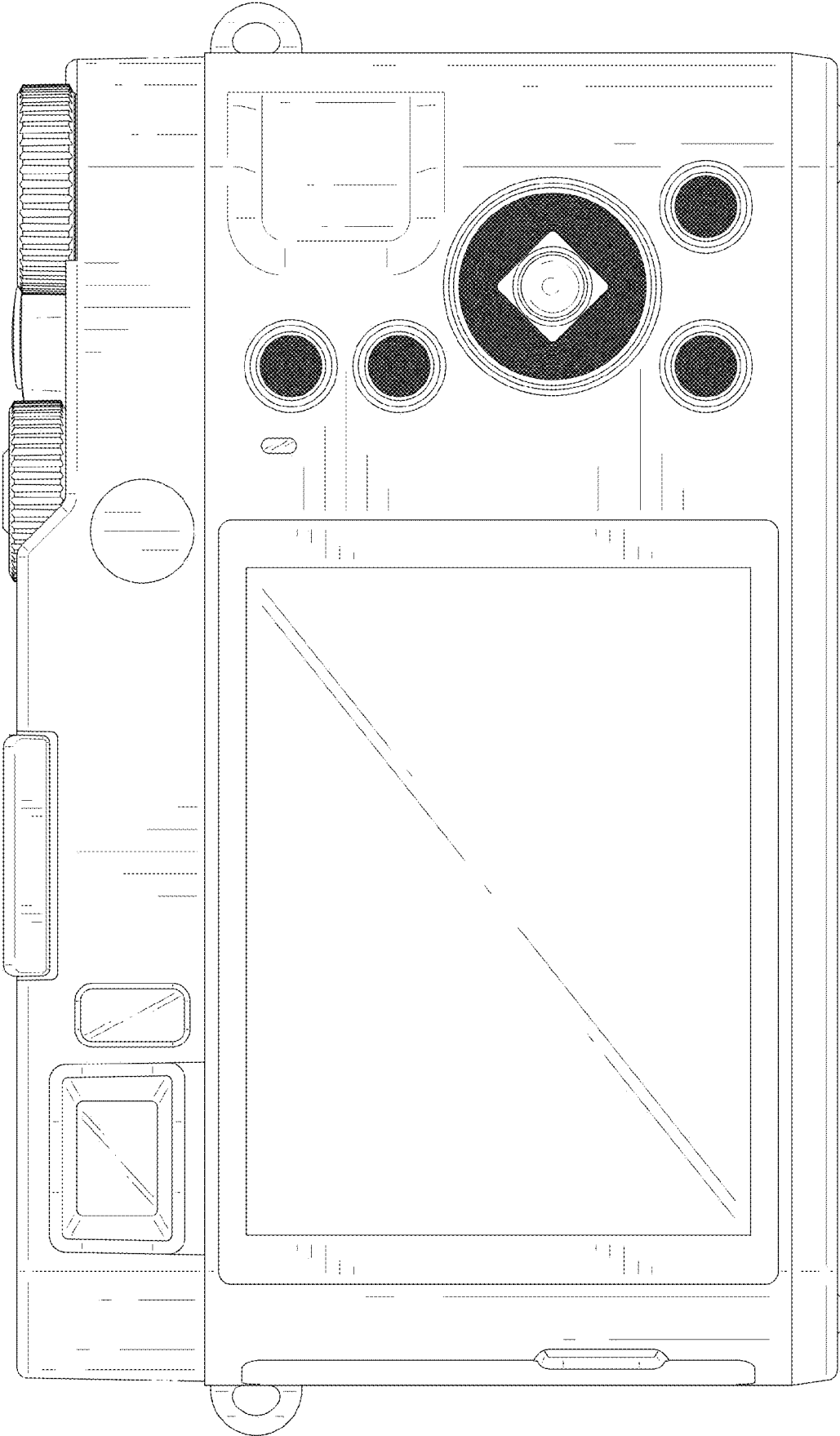


FIG. 4

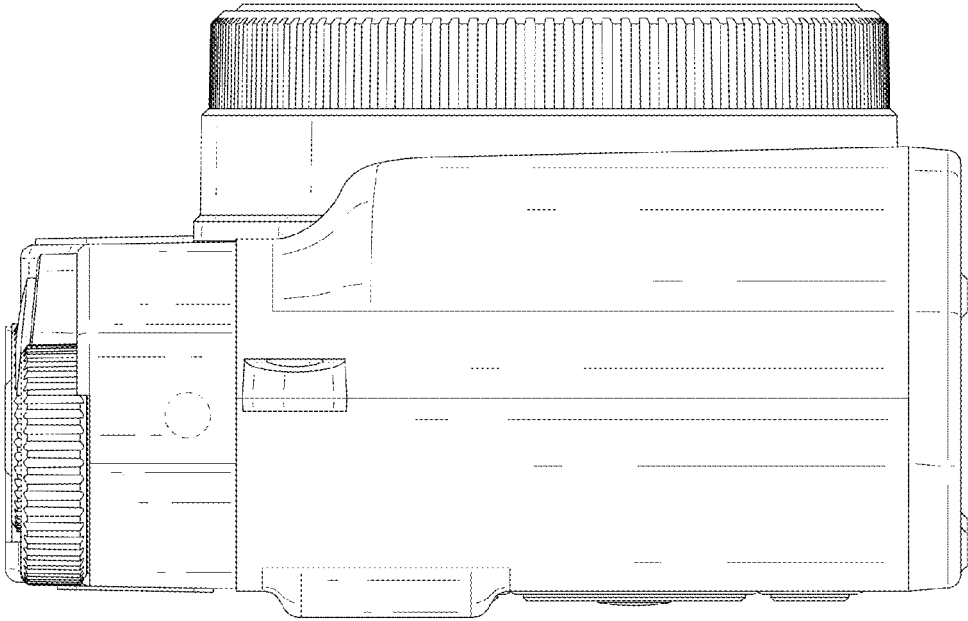


FIG. 5

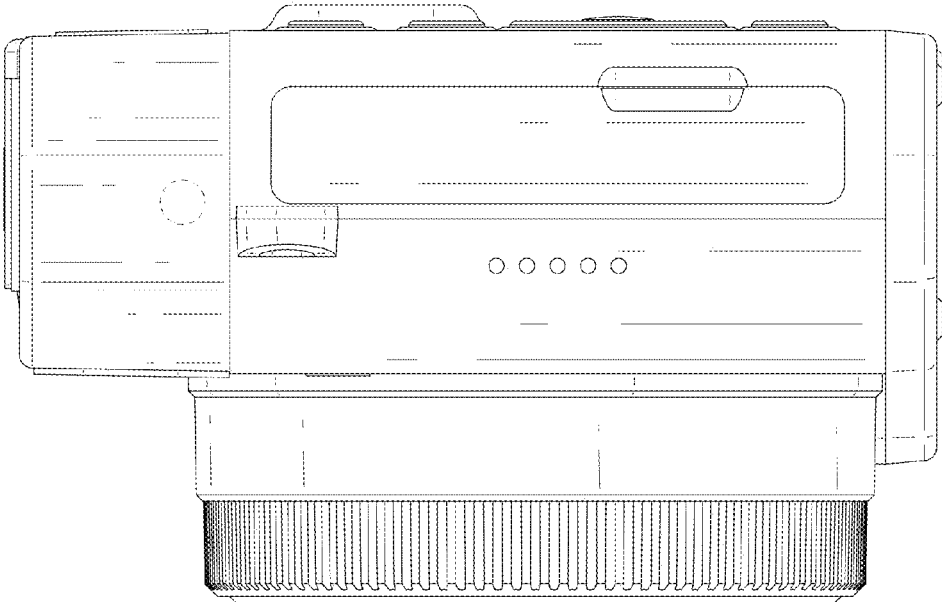


FIG. 6

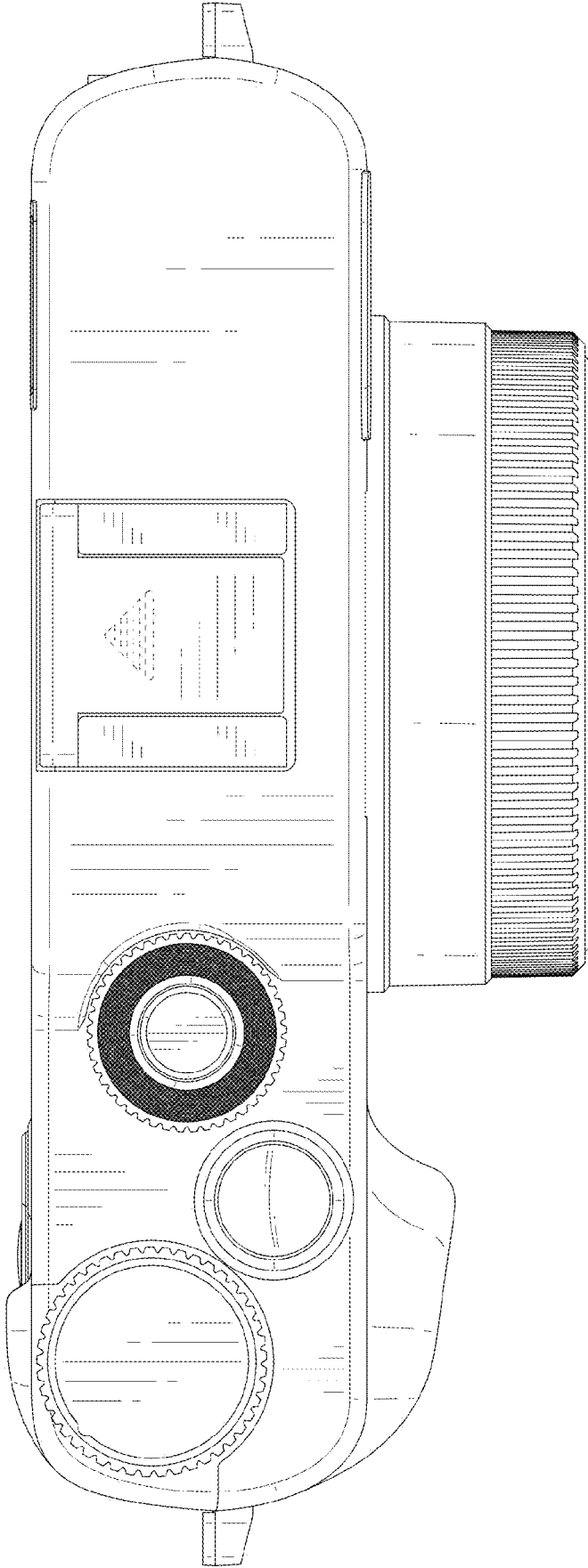


FIG. 7

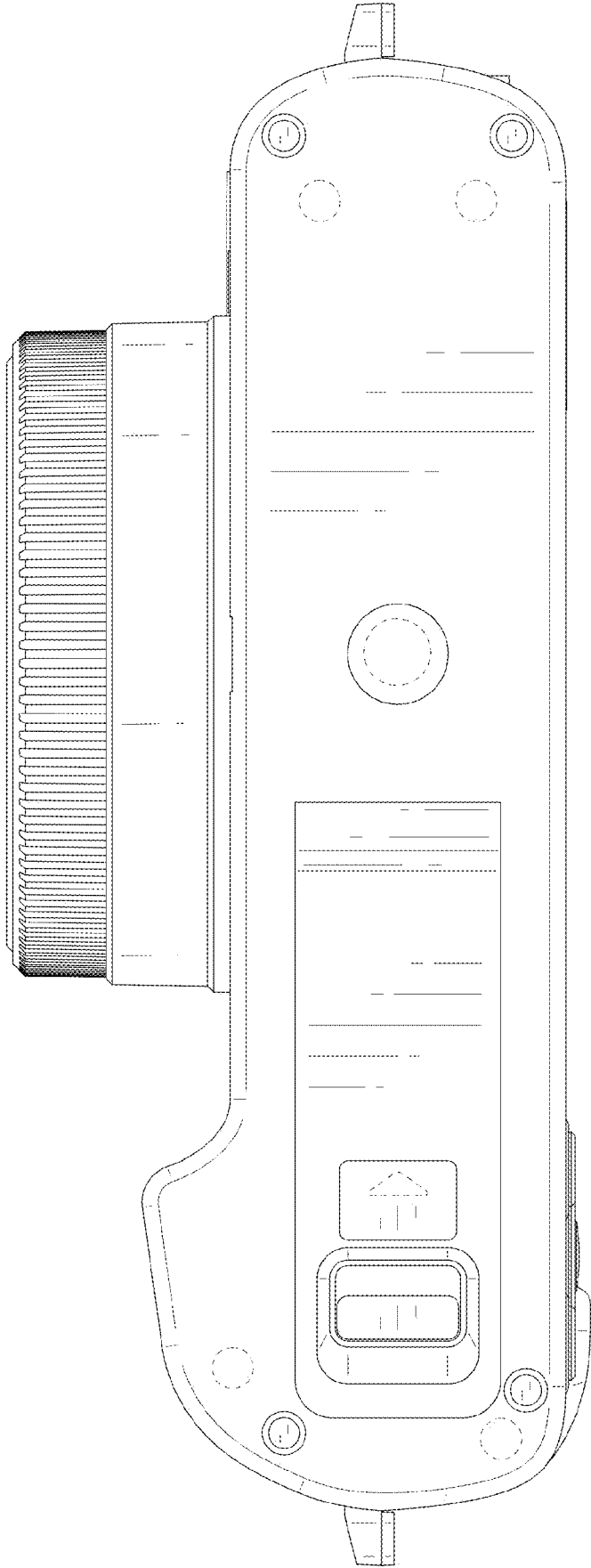


FIG. 8

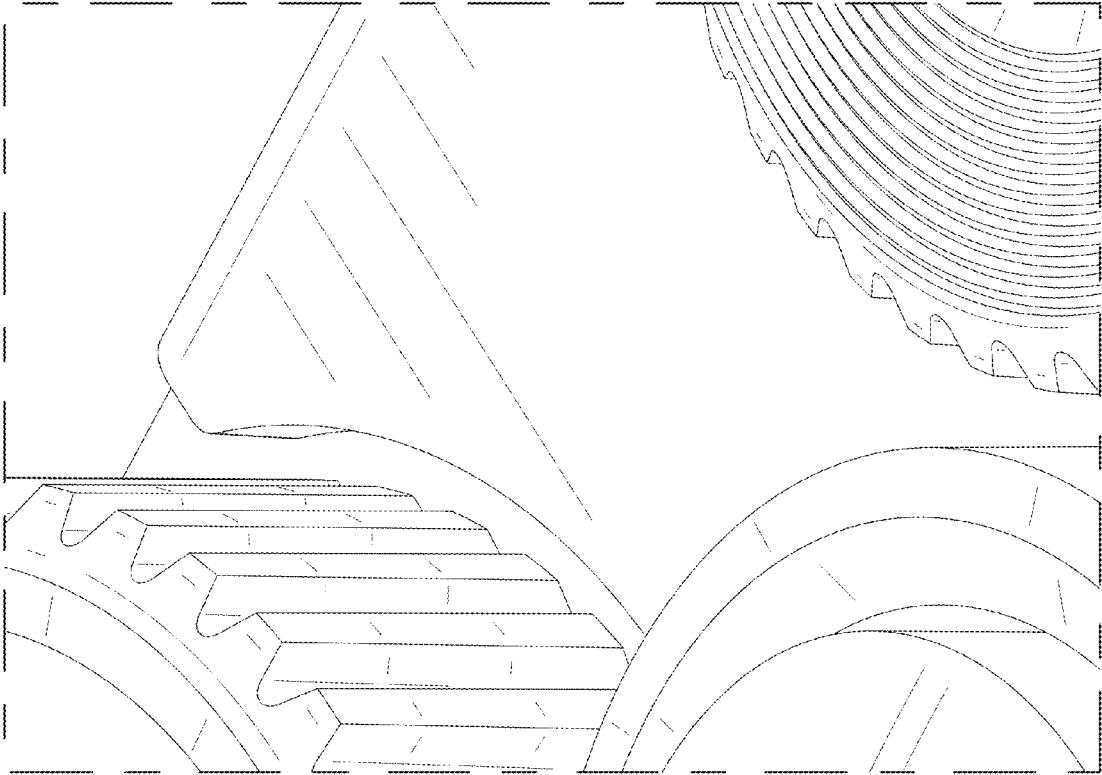


FIG. 9

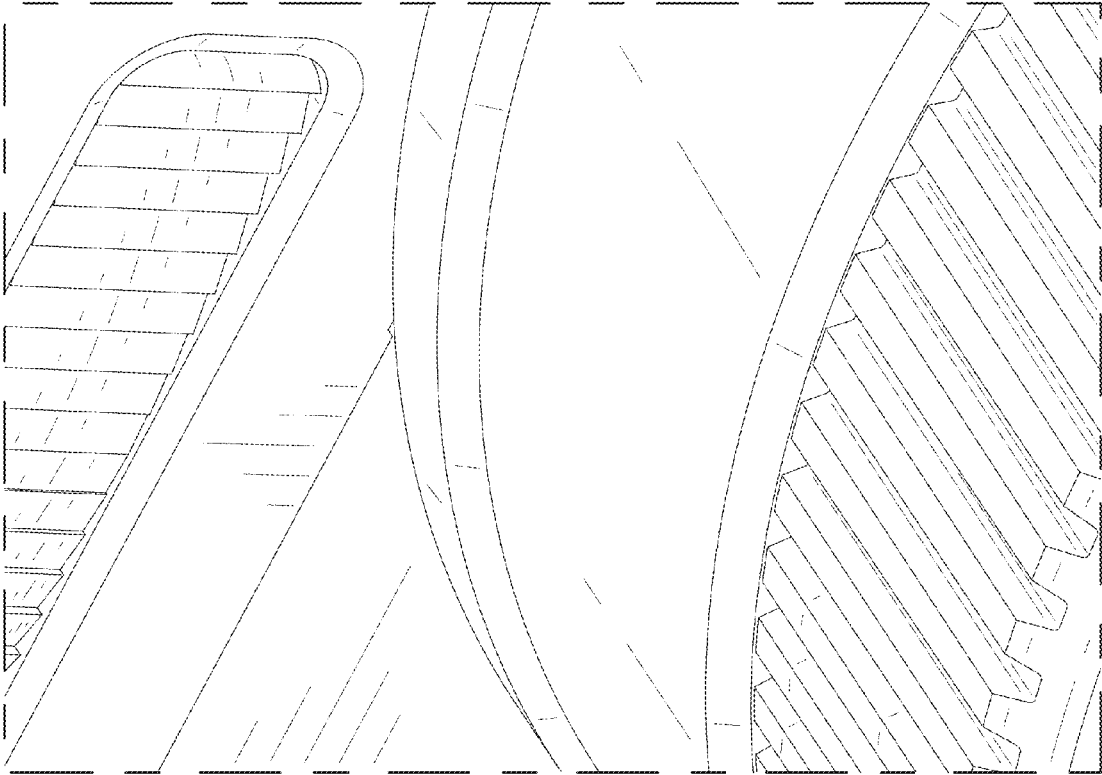


FIG. 10

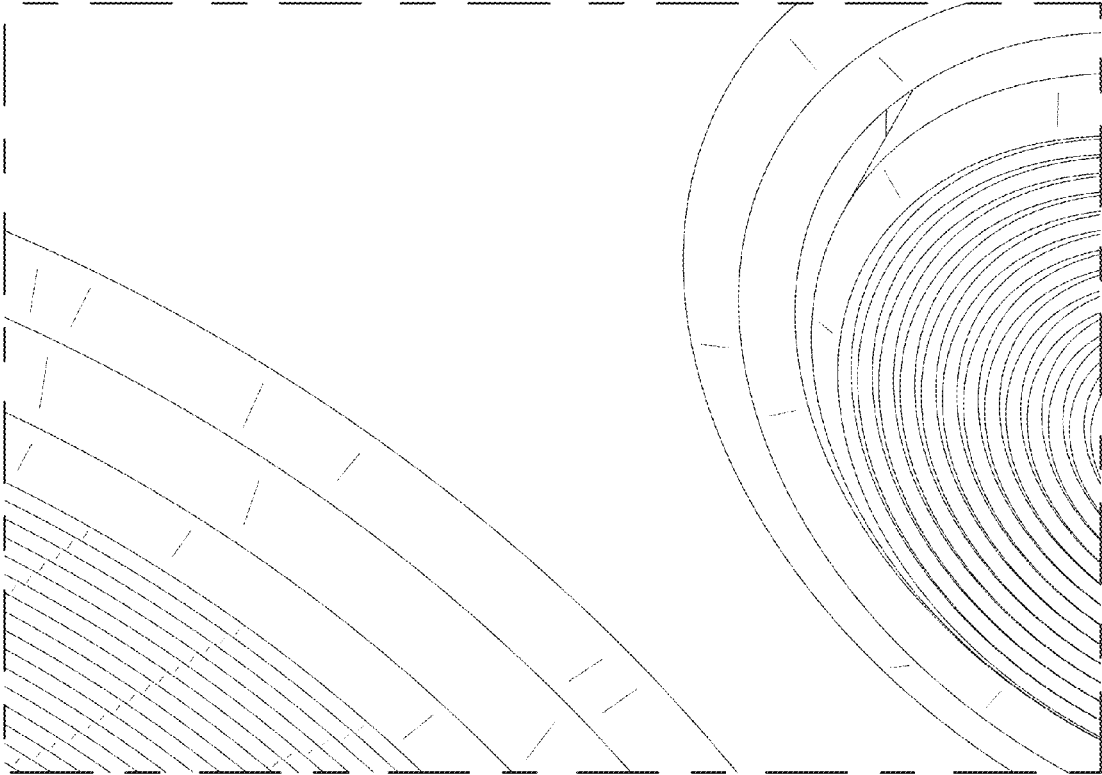


FIG. 11