



US00D342799S

# United States Patent [19]

[11] Patent Number: **Des. 342,799**

Ham

[45] Date of Patent: **\*\* Dec. 28, 1993**

[54] **MINI FLUORESCENT PLUG-IN DOWN LIGHT**

D. 332,836 1/1993 Ham ..... D26/26

[76] Inventor: **Byung I. Ham**, 16550 E. Blackburn Dr., La Mirada, Calif. 90638

*Primary Examiner*—Susan J. Lucas  
*Attorney, Agent, or Firm*—Blakely, Sokoloff, Taylor & Zafman

[\*\*] Term: **14 Years**

[57] **CLAIM**

[21] Appl. No.: **945,333**

The ornamental design for mini fluorescent plug-in down light, as shown and described.

[22] Filed: **Sep. 15, 1992**

[52] U.S. Cl. .... **D26/26; D26/76**

[58] Field of Search ..... **D26/26, 72, 80-92, D26/75, 76, 77, 78; 362/147, 226, 432, 220, 221, 222, 223**

**DESCRIPTION**

FIG. 1 is a perspective view showing the mini fluorescent plug-in down light design; FIG. 2 is a top plan elevational view; FIG. 3 is a front elevational view; FIG. 4 is a bottom plan view; FIG. 5 is a rear elevational view; FIG. 6 is a side elevational view of the first side; and, FIG. 7 is an elevational view of the side opposite from the first side.

[56] **References Cited**

**U.S. PATENT DOCUMENTS**

D. 302,319 7/1989 Yuen ..... D26/26  
D. 331,292 11/1992 Ham ..... D26/26

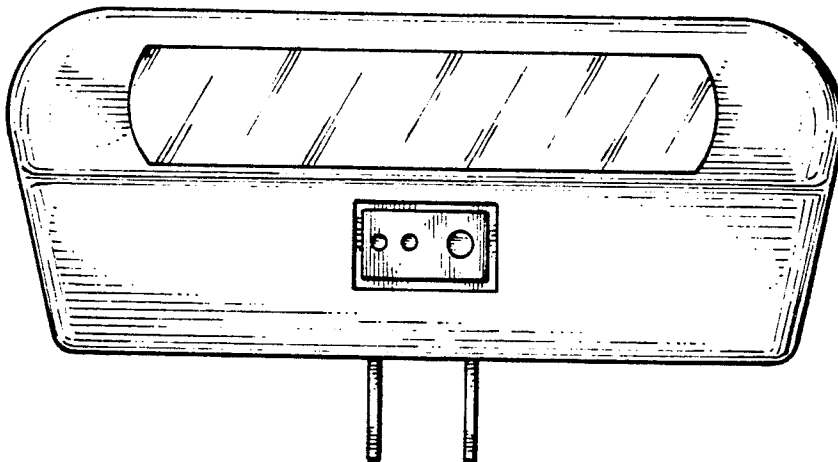
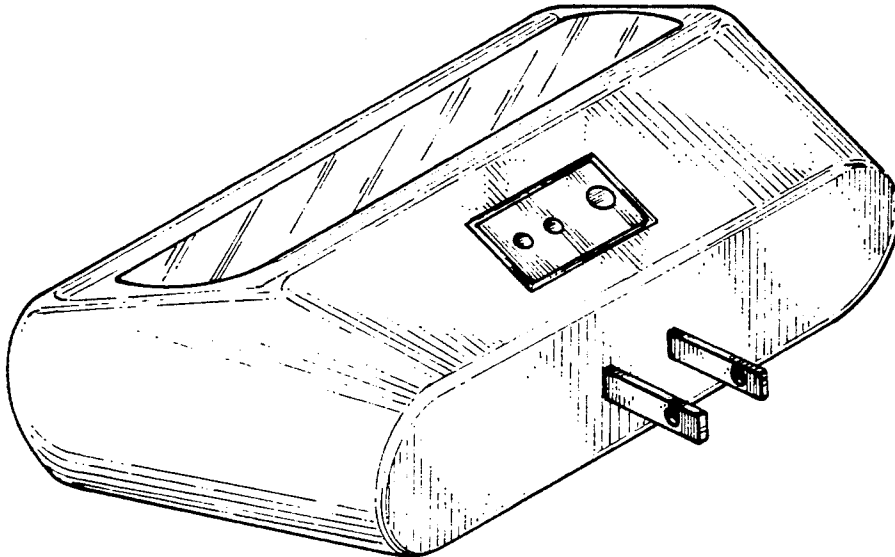


FIG. 1

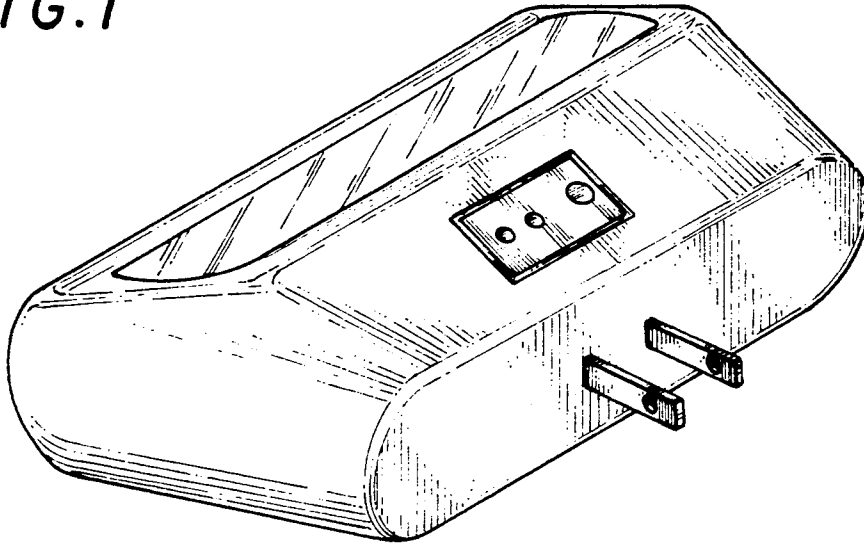


FIG. 2

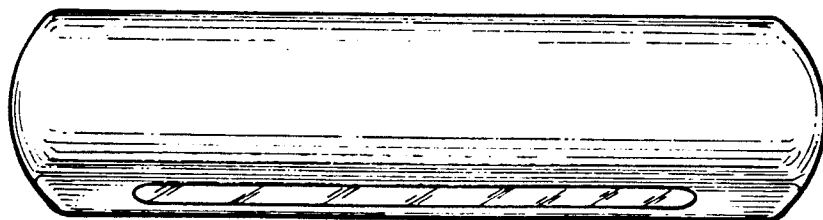
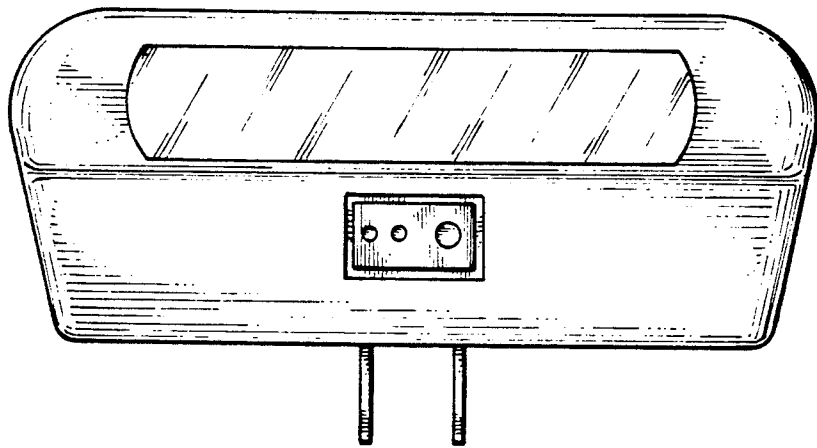


FIG. 3

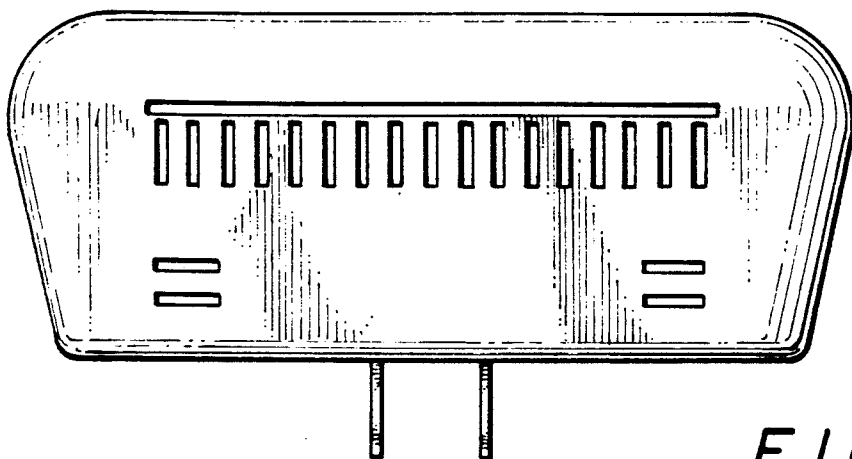


FIG. 4

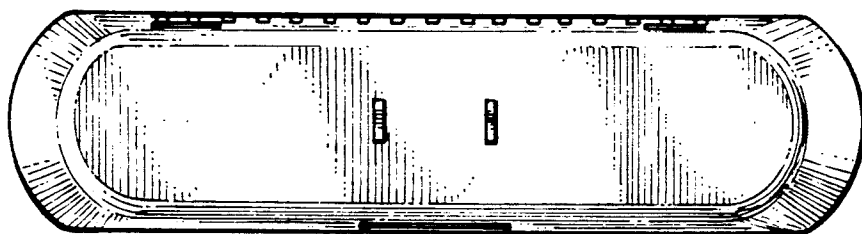


FIG. 5

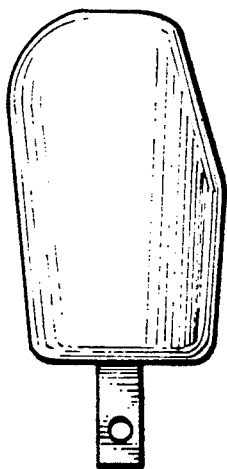


FIG. 6

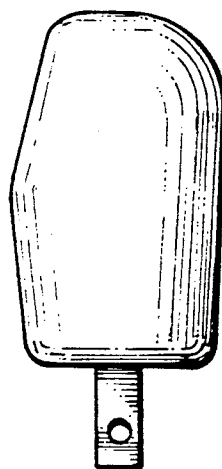


FIG. 7