

(19) World Intellectual Property Organization  
International Bureau



(43) International Publication Date  
21 September 2006 (21.09.2006)

PCT

(10) International Publication Number  
**WO 2006/098936 A3**

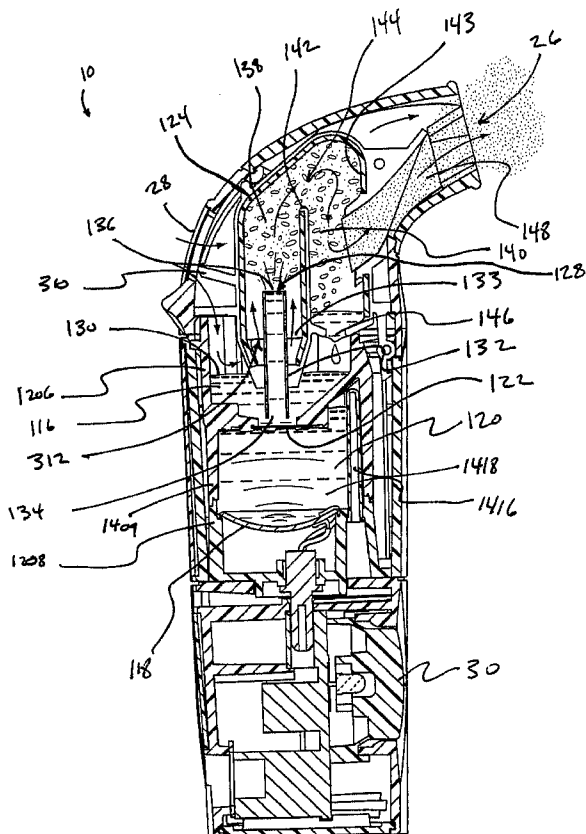
- (51) International Patent Classification:  
A61M 15/00 (2006.01) A61M 11/00 (2006.01)
- (21) International Application Number:  
PCT/US2006/007973
- (22) International Filing Date: 6 March 2006 (06.03.2006)
- (25) Filing Language: English
- (26) Publication Language: English
- (30) Priority Data:  
60/659,781 9 March 2005 (09.03.2005) US  
11/367,075 3 March 2006 (03.03.2006) US
- (71) Applicant (for all designated States except US): **RIC INVESTMENTS, LLC** [US/US]; 801 West Street, 2nd Floor, Wilmington, DE 19801-1545 (US).
- (72) Inventors: **LIEBERMAN, Eric, A.**; 334 Willow Avenue, Scotch Plains, NJ 07076 (US). **VON HOLLEN, Dirk**; 16 Charles Street, Clark, NJ 07066 (US). **BUCUR, Alexandru**; 2270 Mitchell Road, Norcross, GA 20071 (US). **PAVLOVSKY, Lev**; 14 Pigeon Hill Road, Morris

Plains, NJ 07950 (US). **MORRISON, Mark**; 5 Mount Airy Road, Basking Ridge, NJ 07920 (US).

- (74) Agents: **GASTINEAU, Cheryl, L.** et al.; Reed Smith LLP, P.O. Box 488, Pittsburgh, PA 15230-0488 (US).
- (81) Designated States (unless otherwise indicated, for every kind of national protection available): AE, AG, AL, AM, AT, AU, AZ, BA, BB, BG, BR, BW, BY, BZ, CA, CH, CN, CO, CR, CU, CZ, DE, DK, DM, DZ, EC, EE, EG, ES, FI, GB, GD, GE, GH, GM, HR, HU, ID, IL, IN, IS, JP, KE, KG, KM, KN, KP, KR, KZ, LC, LK, LR, LS, LT, LU, LV, LY, MA, MD, MG, MK, MN, MW, MX, MZ, NA, NG, NI, NO, NZ, OM, PG, PH, PL, PT, RO, RU, SC, SD, SE, SG, SK, SL, SM, SY, TJ, TM, TN, TR, TT, TZ, UA, UG, US, UZ, VC, VN, YU, ZA, ZM, ZW.
- (84) Designated States (unless otherwise indicated, for every kind of regional protection available): ARIPO (BW, GH, GM, KE, LS, MW, MZ, NA, SD, SL, SZ, TZ, UG, ZM, ZW), Eurasian (AM, AZ, BY, KG, KZ, MD, RU, TJ, TM), European (AT, BE, BG, CH, CY, CZ, DE, DK, EE, ES, FI, FR, GB, GR, HU, IE, IS, IT, LT, LU, LV, MC, NL, PL, PT,

[Continued on next page]

(54) Title: NEBULIZING DRUG DELIVERY DEVICE WITH BARRIER



(57) Abstract: The present invention provides a drug delivery device (10) that uses an aerosol generator (118) to nebulize a drug solution (116). The drug delivery device (10) includes differently sized guide tubes (2112, 2116) and separator walls (142) to provide substantially consistent particles that can be varied in size by using different guide tubes (2112, 2116). The drug delivery device (10) also includes a barrier (122) that separates a fluid (116) contained in the device (10) from the drug solution (116) at least a portion of the barrier (122) is formed from polyetheretherketone. The present invention also has a drug detection device (2210) that can detect the volume of drug in the device (10) or whether the barrier (122) has been compromised.

WO 2006/098936 A3



RO, SE, SI, SK, TR), OAPI (BF, BJ, CF, CG, CI, CM, GA, GN, GQ, GW, ML, MR, NE, SN, TD, TG).

(88) Date of publication of the international search report:  
10 May 2007

**Published:**

- with international search report
- before the expiration of the time limit for amending the claims and to be republished in the event of receipt of amendments

For two-letter codes and other abbreviations, refer to the "Guidance Notes on Codes and Abbreviations" appearing at the beginning of each regular issue of the PCT Gazette.

**INTERNATIONAL SEARCH REPORT**

International application No.  
PCT/US06/07973

**A. CLASSIFICATION OF SUBJECT MATTER**  
 IPC: A61M 15/00( 2006.01);A61M 11/00( 2006.01)  
  
 USPC: 128/200.11,200.13,200.14,200.16,200.21,200.24  
 According to International Patent Classification (IPC) or to both national classification and IPC

**B. FIELDS SEARCHED**  
 Minimum documentation searched (classification system followed by classification symbols)  
 U.S. : 128/200.11,200.13,200.14,200.16,200.21,200.24

Documentation searched other than minimum documentation to the extent that such documents are included in the fields searched

Electronic data base consulted during the international search (name of data base and, where practicable, search terms used)

**C. DOCUMENTS CONSIDERED TO BE RELEVANT**

Category *	Citation of document, with indication, where appropriate, of the relevant passages	Relevant to claim No.
Y	WO 03/035152 a1 (PARI GMBH SPEZIALSTEIN FUR EFFEKTIVE INHALTION.) 01 May 2003 (01.05.03), whole document.	9-11,15-40,42-44

Further documents are listed in the continuation of Box C.  See patent family annex.

* Special categories of cited documents:	
"A" document defining the general state of the art which is not considered to be of particular relevance	"T" later document published after the international filing date or priority date and not in conflict with the application but cited to understand the principle or theory underlying the invention
"E" earlier application or patent published on or after the international filing date	"X" document of particular relevance; the claimed invention cannot be considered novel or cannot be considered to involve an inventive step when the document is taken alone
"L" document which may throw doubts on priority claim(s) or which is cited to establish the publication date of another citation or other special reason (as specified)	"Y" document of particular relevance; the claimed invention cannot be considered to involve an inventive step when the document is combined with one or more other such documents, such combination being obvious to a person skilled in the art
"O" document referring to an oral disclosure, use, exhibition or other means	"&" document member of the same patent family
"P" document published prior to the international filing date but later than the priority date claimed	

Date of the actual completion of the international search  
16 January 2007 (16.01.2007)

Date of mailing of the international search report  
**12 MAR 2007**

Name and mailing address of the ISA/US  
 Mail Stop PCT, Attn: ISA/US  
 Commissioner for Patents  
 P.O. Box 1450  
 Alexandria, Virginia 22313-1450  
 Facsimile No. (571) 273-3201

Authorized officer  
 Justine Yu *Sharon D. Greene Jr*  
 Telephone No. (571) 272-3700