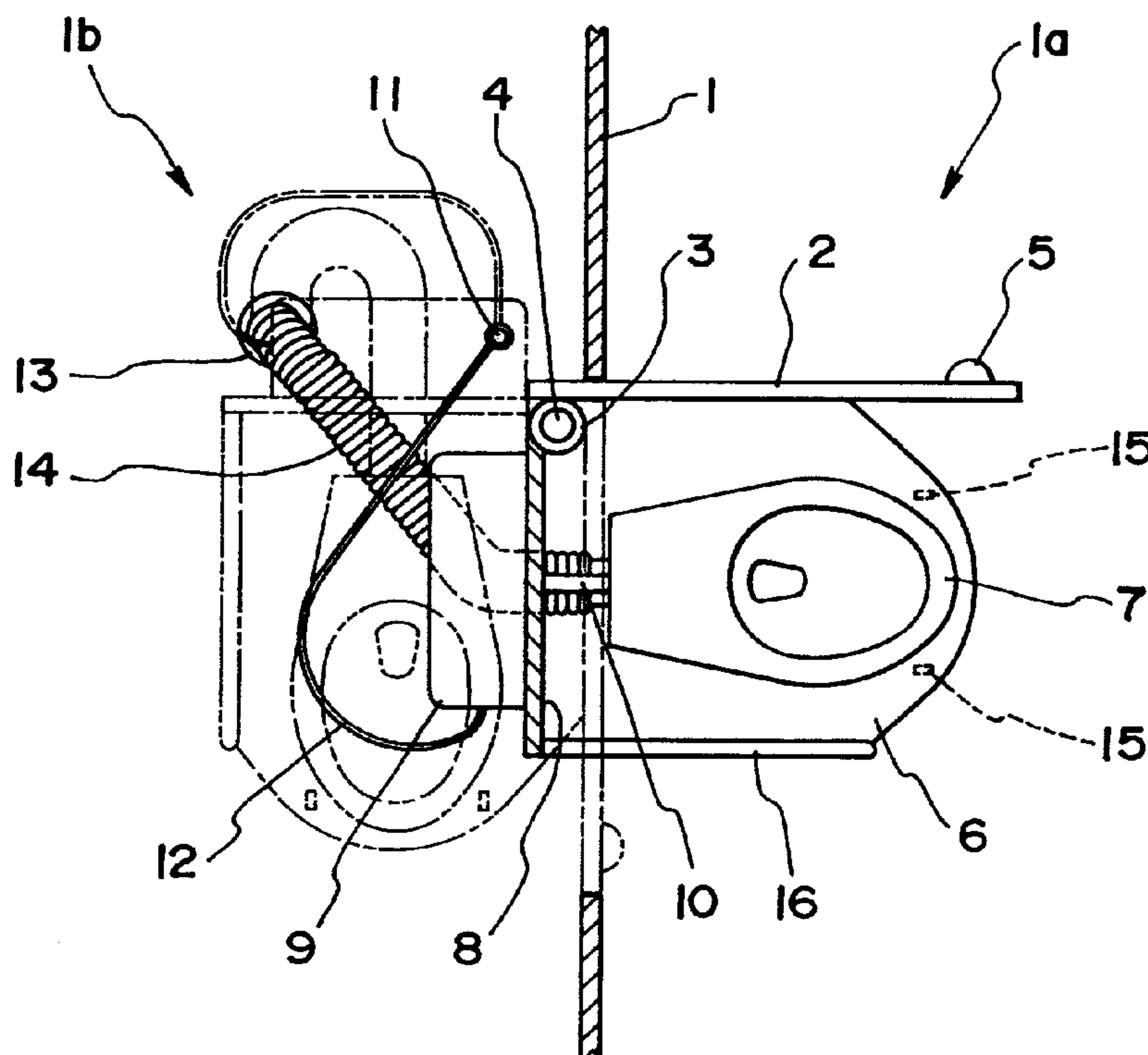




(22) Date de dépôt/Filing Date: 1996/10/29
 (41) Mise à la disp. pub./Open to Public Insp.: 1997/07/26
 (45) Date de délivrance/Issue Date: 2002/02/26
 (30) Priorité/Priority: 1996/01/25 (030145/1996) JP

(51) Cl.Int.⁶/Int.Cl.⁶ A61G 9/00
 (72) Inventeurs/Inventors:
 Nakayama, Hironobu, JP;
 Okamoto, Kiyoshi, JP
 (73) Propriétaires/Owners:
 Nakayama, Hironobu, JP;
 Tama Juki Construction Co., Ltd., JP
 (74) Agent: MARKS & CLERK

(54) Titre : POT FERME SI NON EMPLOYE, POUR UTILISATEURS NECESSITANT DES SOINS
 (54) Title: FLUSH POT ASSEMBLY FOR USER REQUIRING CARE-TAKING



(57) Abrégé/Abstract:

It is sought to provide a flush pot assembly, in which a pot is concealed when it is not used, can be easily taken out for use and washed with washing water after use even a disabled person or a patient. A pot 7, to which a flexible hose for passing washing water, is provided such that it is integral with the back surface of a door 2, which can be opened and closed and constitutes part of one side of a room. A flexible draining hose 14 is connected between the pot 7 and a draining pipe 13 led to the outside of a room. The pot 7 is brought into the room when the door 2 is opened and accommodated in a space outside the room when the door 2 is closed.

2189083

ABSTRACT

It is sought to provide a flush pot assembly, in which a pot is concealed when it is not used, can be easily taken out for use and washed with washing water after use even a disabled person or a patient.

A pot 7, to which a flexible hose for passing washing water, is provided such that it is integral with the back surface of a door 2, which can be opened and closed and constitutes part of one side of a room. A flexible draining hose 14 is connected between the pot 7 and a draining pipe 13 led to the outside of a room. The pot 7 is brought into the room when the door 2 is opened and accommodated in a space outside the room when the door 2 is closed.

FLUSH POT ASSEMBLY FOR USER REQUIRING CARE-TAKING

BACKGROUND OF THE INVENTION

1. FIELD OF THE INVENTION

This invention relates to a flush pot assembly for users requiring care-taking, which is installed in home, a hospital room or the like inhabited by a disabled person or a patient requiring care-taking such that it is accommodated in an accommodation space outside the room when it is not used and can be taken out smoothly when using it.

2. PRIOR ART

A movable simplified pot which is used by being seated on it for urination and emptying, is conventionally provided in a room inhabited by a disabled person or a patient, who can not easily go by walking to the toilette.

Where such a pot is provided, it is necessary to wash the pot after use and also provide de-odorizing and ventilation, requiring great labor of the care-taker. Besides, the presence of the pot in the room so that the pot is seen by people in the room is undesired view of the freedom from undesired odor and the comfortable layout, cleanliness and effective space utility of the room.

SUMMARY OF THE INVENTION

A first object of the present invention is to provide a pot, which is accommodated and concealed in an accommodation space outside the room when it is not used and can be easily accessed by a disabled person or patient as well as the care-taker when it is to be used, thus suppressing undesired odor as much as possible and maintaining a clean and sanitary environment even in the room, in which the pot is used by the disabled person or patient.

A second object of the present invention is to provide a pot, which is not present in the room and provides for a broader dwelling space when it is not being used.

A third object of the present invention is to provide a pot assembly, which, unlike the conventional movable simplified pot, employs a flush pot and can minimize the necessary labor of the care-taker.

The present invention provides a flush pot assembly for individuals requiring caretaking, the flush pot assembly comprising a door adapted to be movably mounted in an opening formed in a wall of a room, wherein the door constitutes a portion of the room wall when mounted in the wall opening, a pot integrally connected to a back side of the door such that the pot is moveable with the door, and a

water tank integrally connected to the back side of the door such that the water tank is moveable with the door, the water tank being in fluid communication with the pot. The flush pot assembly also comprises a flexible water supply hose fluidly connected to the water tank for delivering water to the water tank from a water supply, and a flexible drain hose fluidly connected to the pot, wherein the pot is moved to a use position on a first side of the room wall when the door is moved to an open position, wherein the pot is moved to a storage position on a second side of the room wall when the door is moved to a closed position, and wherein the water tank remains on the second side of the room wall in both the open and closed positions of the door.

BRIEF DESCRIPTION OF THE DRAWINGS

FIG. 1 is a plan view showing a first embodiment of the flush pot assembly according to the invention with a pot in an accessed state;

FIG. 2 is a side view showing the flush pot assembly shown in FIG. 1;

FIG. 3 is a plan view showing a second embodiment of the flush pot assembly according to the invention with a

pot in a taken-out state;

Fig. 4 is a plan view, partly in section, showing a third embodiment of the flush pot assembly according to the invention with a pot in a taken-out state;

Fig. 5 is a side view showing the flush pot assembly shown in Fig. 4;

Fig. 6 is a side view, partly in section, showing the flush pot assembly shown in Fig. 4;

Fig. 7 is a sectional view showing the third embodiment of the flush pot assembly with the pot in an accommodated state;

Fig. 8 is a plan view, partly in section, showing a fourth embodiment of the flush pot assembly according to the invention with a pot in a taken-out state;

Fig. 9 is a side view, partly in section, showing the fourth embodiment of the flush pot assembly with the pot in the taken-out state;

Fig. 10 is a plan view, partly in section, showing a fifth embodiment of the flush pot assembly according to the invention with a pot in a taken-out state;

Fig. 11 is a side view showing the fifth embodiment of the flush pot assembly with the pot in the taken-out state;

Fig. 12 is a side view, partly in section, showing the fifth embodiment of the flush pot assembly when the pot is

being accommodated;

Fig. 13 is a plan view, partly in section, showing a sixth embodiment of the flush pot assembly according to the invention with a pot in a taken-out state;

Fig. 14 is a side view showing the sixth embodiment of the flush pot assembly with the pot in the taken-out state;

Fig. 15 is a plan view, partly in section, showing a seventh embodiment of the flush pot assembly according to the invention with a pot in a taken-out state;

Fig. 16 is a side view showing the seventh embodiment of the flush pot assembly with the pot in the taken-out state;

Fig. 17 is a view illustrating the seventh embodiment of the flush pot assembly with the provision of a balance weight;

Fig. 18 is a plan view, partly in section, showing an eighth embodiment of the flush pot assembly with a pot in a taken-out state; and

Fig. 19 is a side view, partly in section, showing the eighth embodiment of the flush pot assembly with the pot in the taken-out state.

DETAILED DESCRIPTION OF THE PREFERRED EMBODIMENTS

Preferred embodiments of the invention will now be described with reference to the drawings.

Figs. 1 and 2 show a first embodiment of the flush pot assembly according to the invention. Reference numeral 1 in the Figures designates the wall of a room in home, a hospital, etc. inhabited by a disabled person or a patient requiring care-taking. Referring to Fig. 1, on the right side of the wall 1 is the room 1a inhabited by the disabled person or patient. On the left side of the wall 1 is a closet, a toilette, a separate room, etc. as a pot accommodation space 1b used when the flush pot assembly is not used. Reference numeral 2 designates a door, which constitutes part of the wall 1 in its closed state. For its opening and closing, the door 2 is rotatable about its fulcrum, which is supported in a bearing 3 provided in the wall 1. The door 2 has a knob 5.

The door 2 carries a base 6 with a pot 7 provided thereon, the base 6 extending rearwardly and horizontally from its lower end.

Reference numeral 8 designates a back plate which is provided on the back side of the pot 7 and coupled to the door 2 and also to the base 6. The back plate 8 has a washing water tank 9 provided on its back side for accommodating washing water. Washing water can be supplied from the washing water tank 9 through a washing water supply pipe 10 to the pot 7.

Reference numeral 11 is a water supply pipe leading to the outside, and a flexible water supply hose 12, for instance a rubber hose, is connected between the water supply pipe 11 and the washing water tank 9.

Reference numeral 13 is a draining pipe leading to the outside. A bellows-like flexible draining hose 14 is connected between the draining pipe 13 and the pot 7.

Reference numeral 15 designates casters mounted on the underside of the base 6. These casters 15 can roll over the floor to facilitate the movement of the pot 7.

Reference numeral 16 is a grip, which is to be gripped by the person using the pot 7 when seating thereon or standing up. The grip 16 is mounted on the back plate 8.

The flush pot assembly in this embodiment is used as follows. For taking out the pot 7 in the accommodated state in the accommodation space 1b as shown by the phantom lines in Fig. 1 into the room 1a, the grip 5 of the door 2 is pulled toward the front. The door 2 is thus turned about its right side fulcrum and opened, whereby the pot 7 is brought into the room 1a. The movement of the pot 7 causes bending, extension or contraction of the flexible water supply hose 12 and the flexible draining hose 14. This gives rise to no trouble because the two hoses are both flexible.

After its use, the pot 7 is washed with washing water discharged from the washing water tank 9 by operating a lever (not shown). Thereafter, the door 2 is closed by pushing it, thus accommodating the pot 7 to be in the initial position thereof outside the room 1a.

Fig. 3 shows a second embodiment of the invention. In this flush pot assembly, the washing water tank 9 is provided on the back surface of the wall 1, and a flexible water supply hose 17 is connected between the washing water tank 9 and the pot 7. The water supply pipe 11 is directly secured to the washing water tank 9. The bellows-like flexible draining hose 14 is connected between the draining pipe 13 and the pot 7.

The pot 7 is brought into the room 1a by opening the door 2 and is accommodated in the pot accommodation space 1b by closing the door 2. The movement of the pot 7 causes bending, extension or contraction of the flexible water supply hose 17 and the flexible draining hose 14. However, this causes no trouble because the two hoses are both flexible.

Figs. 4 to 7 show a third embodiment of the invention. Reference numeral 18 in these Figures designates a pot accommodation box for accommodating the flush pot. The pot accommodation box 18 may be provided in a room or installed

in a closet or the like. The door 2 can rotatably open and close a front opening of the pot accommodation box 18. A washing water tank 9 is provided such that it is integral with the top of the pot 7. A suitable number of ball bearings 19 are embedded in the bottom 20 of the pot accommodation box 18 to ensure ready and smooth movement of the base 6 in the pot accommodation box 18. Where the upper surface of the bottom 20 is smooth, no ball bearing may be necessary. The grip 16 for helping the user is mounted on the back plate 8.

The water supply hose 12, for instance a rubber hose, is connected between the water supply pipe 11 and the washing water tank 9. The bellows-like draining hose 14 is connected between the draining pipe 13 and the pot 7.

The pot 7 is taken out of the pot accommodation box 18 by opening the door 2 and accommodated therein by closing the door 2.

The movement of the pot 7 causes bending, extension and contraction of the flexible water supply hose 12 and the flexible draining hose 14, but this gives rise to no trouble because these two hoses are both flexible.

Figs. 8 and 9 show a fourth embodiment of the invention. Reference numeral 21 in these Figures designates a pot accommodation box. The door 2 is provided

in front of the pot accommodation box 21, and it carries the base 6 with the pot 7 provided thereon and aside it. The base 6 extends horizontally rearwardly from the lower end of the door 2, and it is capable of forward and rearward sliding over the bottom 22 of the pot accommodation box 21. Like the preceding third embodiment, this pot accommodation box 21 may be provided in a room or installed in a closet or the like with the door 2 exposed to a room.

On the back of the pot 7, a side plate 8 extends upright from the base 6, and the grip 16 for helping the user is mounted on the side plate 8. Casters 15 are mounted on the underside of the front end of the base 6, and can roll over the floor. Reference numeral 23 designates a partitioning wall, which partitions the inside of the pot accommodation box 21 with respect to the pot 7.

The flexible water supply hose 12, for instance a rubber hose, is connected between the water supply pipe 11 and the washing water tank 9, and the bellows-like flexible draining hose 14 is connected between the draining pipe 13 and the pot 7.

By pulling the door 2 toward the front, the pot accommodation box 21 is opened, and the pot 7 is taken out. The pot 7 is accommodated in the pot accommodation box 21

by pushing the door 2 toward the pot accommodation box 21. The movement of the pot 7 causes bending, extension or contraction of the flexible water supply hose 12 and the flexible draining Hose 14, but this gives rise to no trouble because the two hoses are both flexible.

Figs. 10 to 12 show a fifth embodiment of the invention. Reference numeral 24 in these Figures designates a pot accommodation box. The door 2 is provided in front of the pot accommodation box 24, and it carries the base 6 with the pot 7 provided thereon and directed toward it. The base 6 extends horizontally rearwardly from the lower end of the door 2 and is capable of forward and rearward sliding over the bottom 25 of the pot accommodation box 25. The door 2 is normally closing the front side of the pot 7 and constitutes an obstacle when the pot 7 is used. Accordingly, the door 2 is hinged by a hinge 26 to the side plate 8 so that it can open the front side of the pot 7.

The casters 15 are mounted on the underside of front end of the base 6 and can roll over the floor. The partitioning wall 23 partitions the inside of the pot accommodation box 24 from the side of the pot 7, and the grip 16 for helping the user is mounted on the partitioning wall 23.

The flexible water supply hose 12, for instance a rubber hose, is connected between the water supply pipe 11 and the washing water tank 9, and the bellows-like flexible draining hose 14 is connected between the draining pipe 13 and the pot 7.

By opening the door 2 toward the front and pulling out the pot 7 together with the door 2 and the base 6, the flush pot assembly is made ready for use. By closing the door 2 and pushing the pot 7 into the pot accommodation box 24, the pot 7 is accommodated, and the pot accommodation box 24 is closed. The movement of the pot 7 causes bending, extension or contraction of the flexible water supply hose 12 and the flexible draining hose 14, this gives rise to no trouble because the two hoses are both flexible.

Figs. 13 and 14 show a sixth embodiment of the invention. Reference numeral 27 in these Figures a pot accommodation box, which has such a size that it can be installed under a bed 28. Like the previous third embodiment, the door 2 is pivoted to a side wall of the frame of the bed 28 with the pot accommodation box 27 installed under the top member of the bed frame. The washing water tank 9 is provided on a wall of the bed frame outside the pot accommodation box 27. A bellows-like

flexible water supply hose 29 is connected between the washing water tank 9 and the pot 7 and on the side thereof.

Reference numeral 30 designates a switch provided on the grip 16. By operating the switch 30, an electromagnetic valve 31 provided on the water supply hose 29 is opened, causing washing water to flow from the washing water tank 9 into the pot 7. The bellows-like flexible draining hose 14 is connected between the draining pipe 13 and the pot 7.

When the pot 7 is taken out from and put into the pot accommodation box 27 by opening and closing the door 2, the flexible water supply hose 29 and the flexible draining hose 14 are bent, extended or contracted, but this gives rise to no problem because the two hoses are both flexible.

Figs. 15 to 17 show a seventh embodiment of the invention. Reference numeral 32 in these Figures designates a pot accommodation box. The door 2 is provided in front of the pot accommodation box 32 and pivotally supported by a shaft 33 provided at the lower end of the pot accommodation box 32. In its closed state the door 2 extends upright from the floor, and in its open state it is horizontal and in close contact with the floor. The pot 7 is integral with the back surface of the door 2, so that it can be used in the open state of the door 2. An upright

partitioning wall 23 partitions the inside of the pot accommodation box 32 with respect to the side of the pot 7, and the grip 16 is mounted on the partitioning wall 23.

The washing water tank 9 is mounted on an inner wall surface of the pot accommodation box 32, and a bellows-like flexible water supply hose 17 is connected between the water washing tank 9 and the pot 7. By operating the switch 30 provided on the grip 16, the electromagnetic valve 31 provided on the water supply hose 17 is opened to cause washing water to flow from the washing water tank 9 into the tank 7.

After it has been used, the pot 7 can be accommodated in the pot accommodation box 32 by turning it about the shaft 33 such as to raise it. By so doing, the front of the pot accommodation box 32 is closed by the door 2.

Reference numeral 34 in Fig. 17 designates a balance weight which may be provided, if necessary, underneath the floor to facilitate the operation of turning the door 2 and the pot 7. The balance weight has a stem suspended from a shaft arm 35 which is integral with the shaft 33 supporting the door.

Figs. 18 and 19 show an eighth embodiment of the invention. Reference numeral 36 in these Figures designates a pot accommodation box which is installed under

the floor. The door 2 is mounted on the rear end of the base 6 with the pot 7 provided thereon such that it is perpendicular to the base 6. In its closed state, the door 2 is closing the top of the pot accommodation box 36 and constituting part of the floor. It is opened by turning it about the shaft 33 to be perpendicular to the floor. The base 6 is supported by the shaft 33 which is provided on the floor, and can be turned in unison with the door 2.

In the closed state of the door 2, the pot 7 and the base 6 are accommodated in the pot accommodation box 36. In the open state of the door 2, the base 6 is held horizontally at the top of the pot accommodation box 36, and the pot 7 is ready for use. Reference numeral 37 designates a stopper for holding the base 6 in the horizontal state. Reference numeral 38 is a stopper for holding the base 6 in an accommodated position.

A bellows-like, partly flexible water supply hose 17 is connected between the washing water tank 9 which is secured to the floor and the pot 7, so that washing water can be supplied from the washing water tank 9 to the pot 7.

The bellows-like flexible draining hose 14 is connected between the draining pipe 14 which extends underneath the floor and the pot 7.

After it has been used, the pot 7 can be accommodated

in the pot accommodation box 36 by detaching the stopper 37 from the base 6 and downwardly turning it about the shaft 33. At this time, the top of the pot accommodation box 36 is closed by the door 2.

By installing the flush pot assembly having the construction as described above according to the invention in a closet or the like of a room in home or a hospital room, which is inhabited by a disabled person or a patient requiring care-taking, the pot which is accommodated in the space outside the room when it is not used, can be taken out smoothly and as desired for use by the disabled person or the patient as well as the care-taker. Besides, the pot is not present in the room when it is not used, thus providing for a broader dwelling space. Further, undesired odor in the room can be reduced to reduce the necessity of ventilation or the like, and a clean and sanitary environment can be maintained in the room.

The flush pot assembly according to the invention also can be used commonly in two adjacent rooms in home or a hospital, one of which is inhabited by a disabled person or a patient requiring care-taking, by installing it in a space between the two rooms. It is further possible to use the flush pot assembly commonly in a usual toilette in home or in a hospital and a room, which is inhabited by a

disabled person or a patient requiring care-taking, by installing it in the wall between the toilette and the room.

With the pot of the flush pot assembly according to the invention accommodated in the pot accommodation box for being taken out as desired, it is possible to install the assembly in a closet or the like of a room without need of greatly modifying the room.

Since the pot itself is the flush pot, manual washing of the pot, de-odorizing or ventillation is substantially unnecessary, thus extremely reducing the labor of care-taking by the care-taker.

Moreover, the flush pot assembly according to the invention can be utilized as a portable flush pot assembly so long as the place where it is to be used is provided with water supply and draining equipment.

The embodiments of the invention in which an exclusive property or privilege is claimed are defined as follows:

1. A flush pot assembly for individuals requiring caretaking, said flush pot assembly comprising:

a door adapted to be movably mounted in an opening formed in a wall of a room, wherein said door constitutes a portion of the room wall when mounted in the wall opening;

a pot integrally connected to a back side of said door such that said pot is moveable with said door;

a water tank integrally connected to said back side of said door such that said water tank is moveable with said door, said water tank being in fluid communication with said pot;

a flexible water supply hose fluidly connected to said water tank for delivering water to said water tank from a water supply; and

a flexible drain hose fluidly connected to said pot; wherein said pot is moved to a use position on a first side of the room wall when said door is moved to an open position, wherein said pot is moved to a storage position on a second side of the room wall when said door is moved to a closed position, and wherein said water tank remains on the second side of the room wall in both the open and closed positions of said door.

2. The flush pot assembly as claimed in claim 1, further comprising a base extending horizontally from a lower portion of said door, wherein said pot is directly mounted on said base.

3. The flush pot assembly as claimed in claim 2, further comprising a vertical back plate extending perpendicularly from said back side of said door and connected to a peripheral edge portion of said base, wherein said water tank is mounted on said back plate.

4. The flush pot assembly as claimed in claim 3, further comprising a gripping bar having a first end and a second end, wherein said first end is connected to said back plate and said second end is connected to said base.

5. The flush pot assembly as claimed in claim 2, 3 or 4, further comprising a plurality of casters mounted on a bottom surface of said base.

FIG. 1

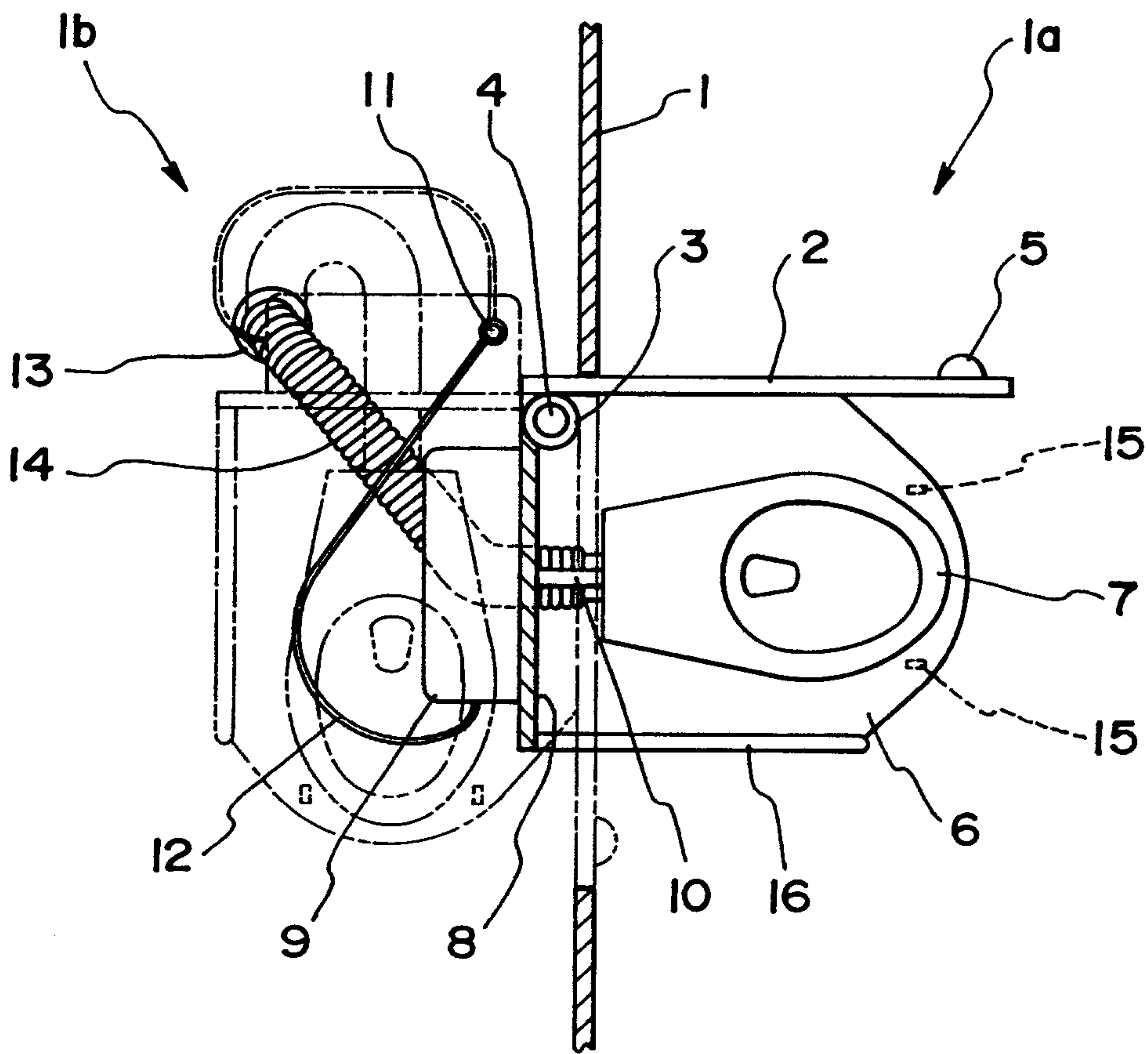


FIG. 2

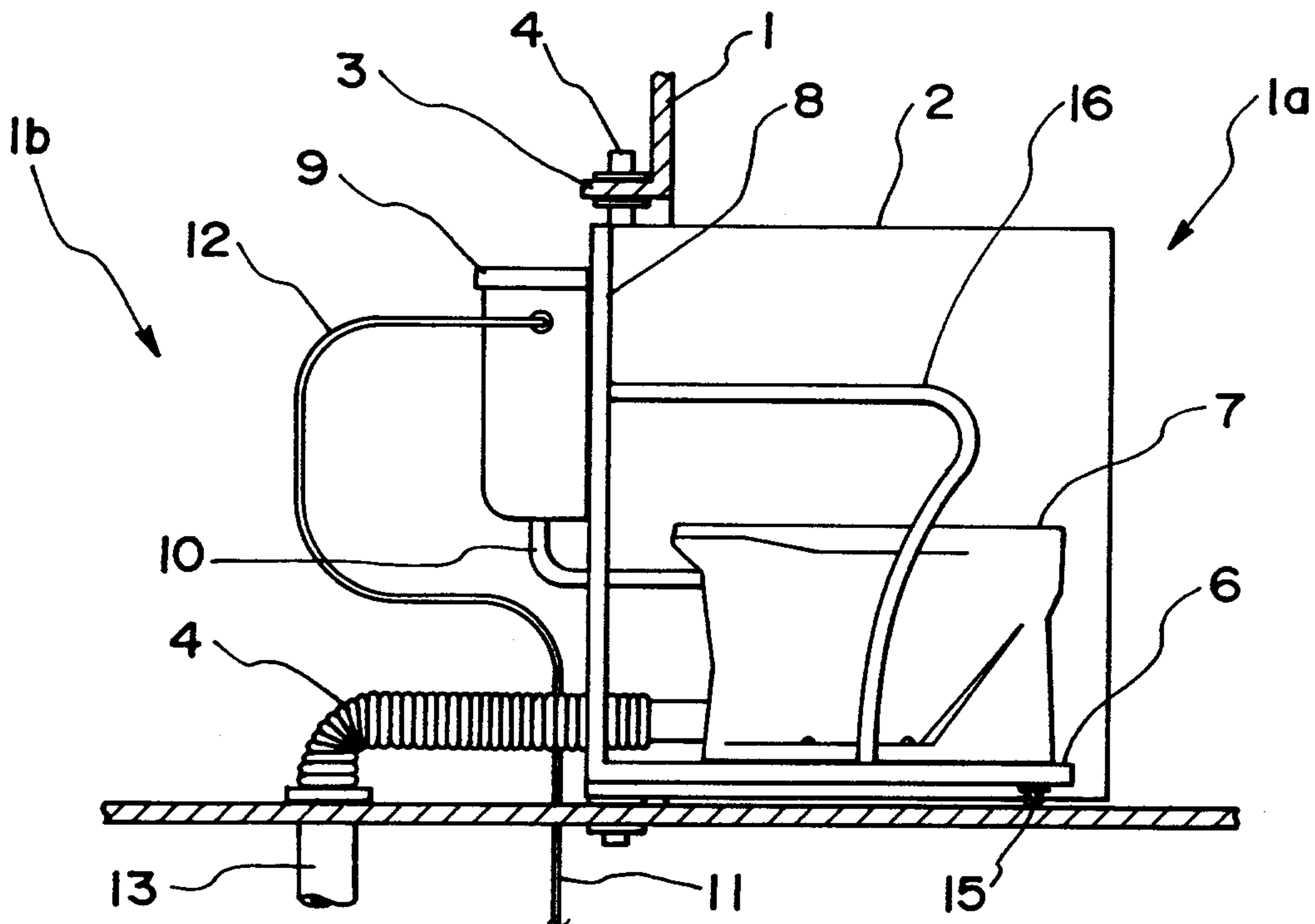


FIG. 3

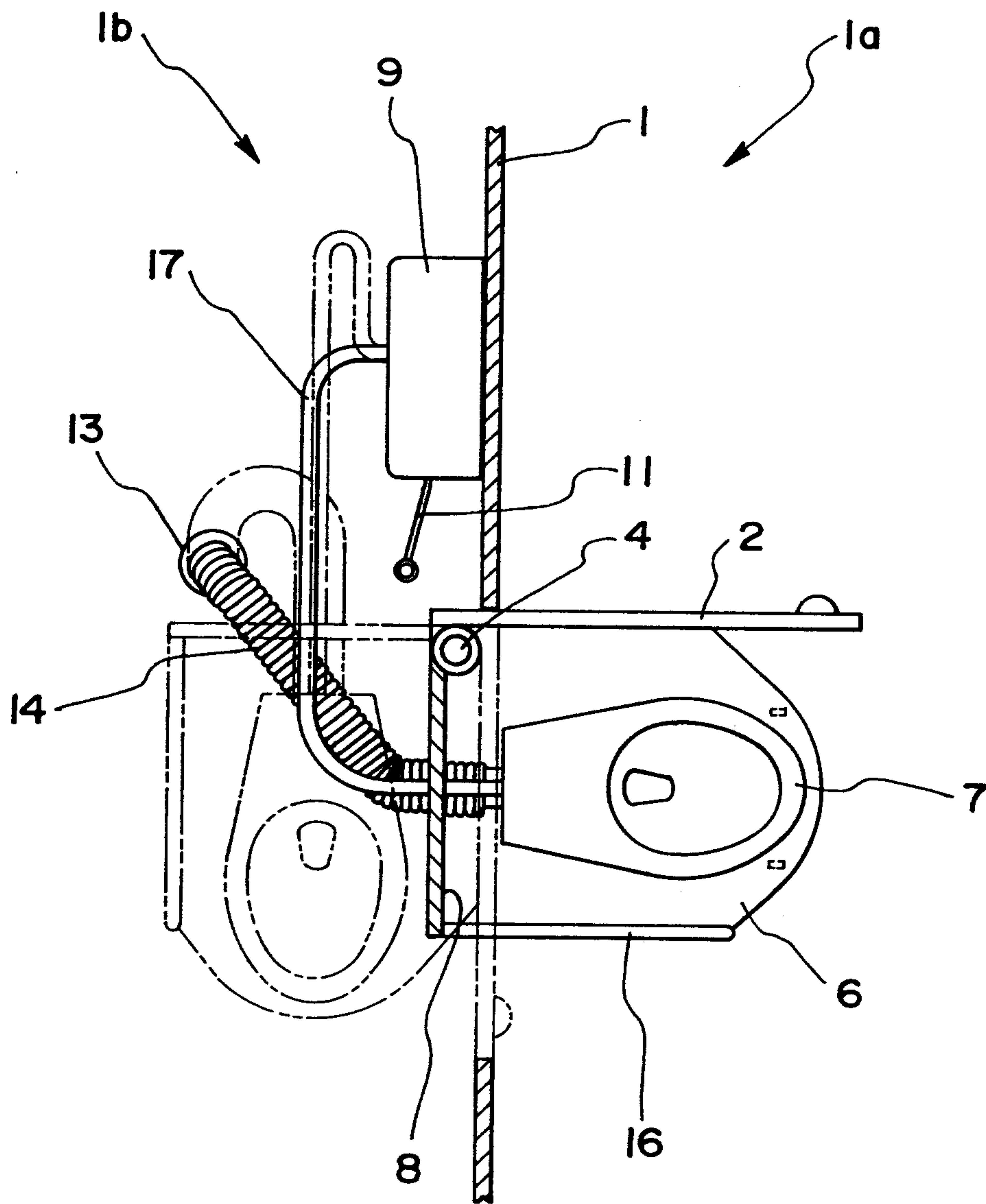


FIG. 4

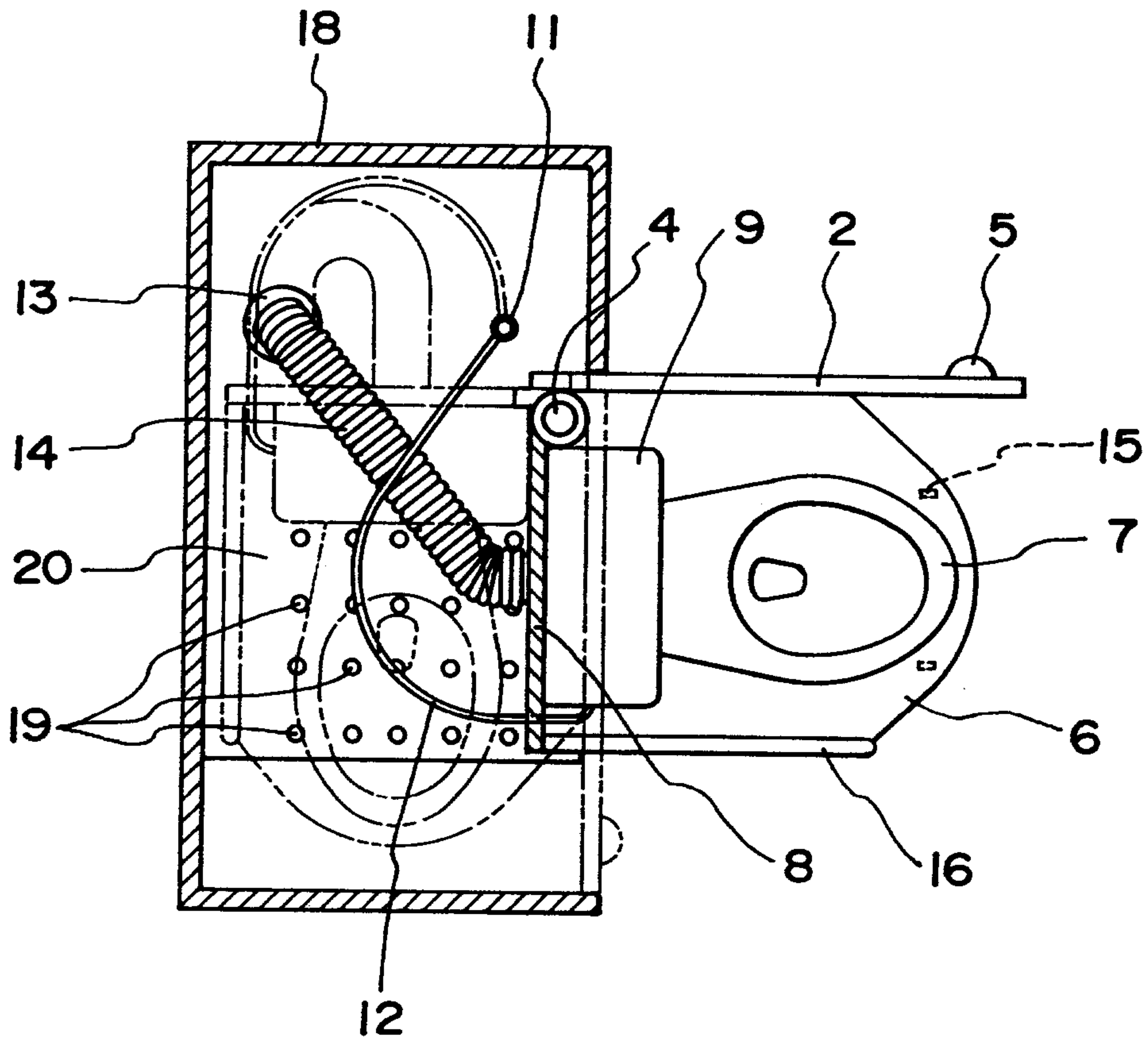


FIG. 5

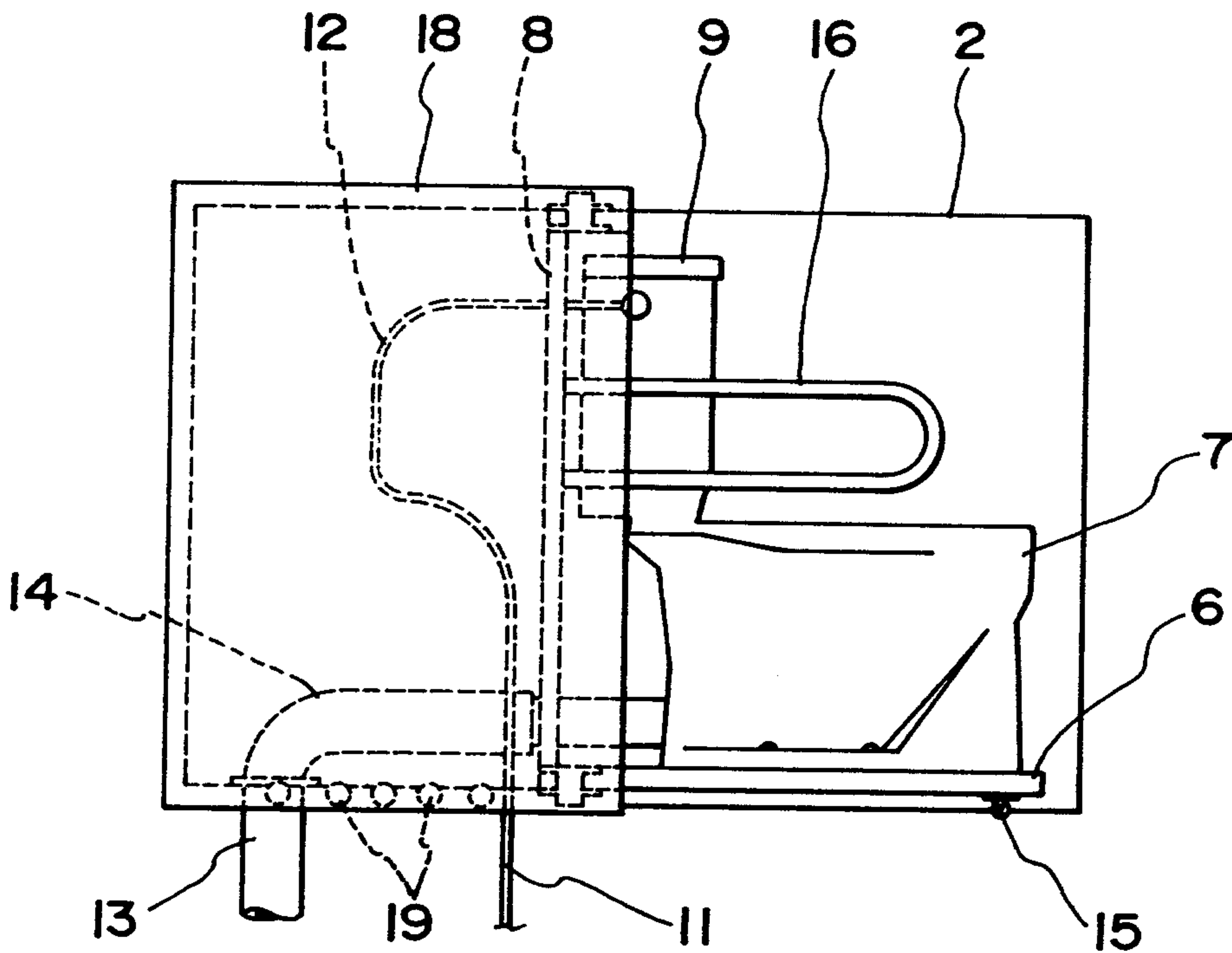
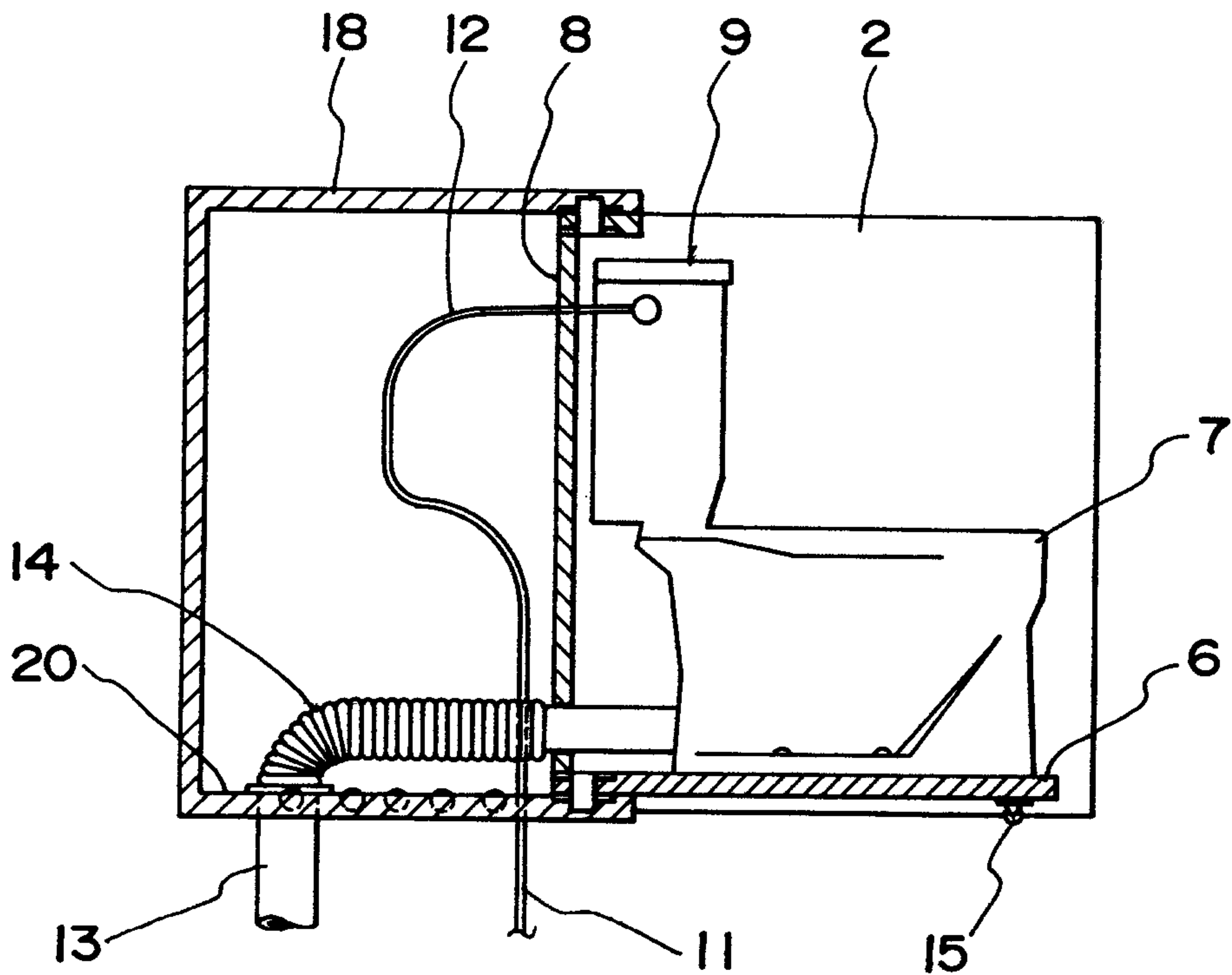
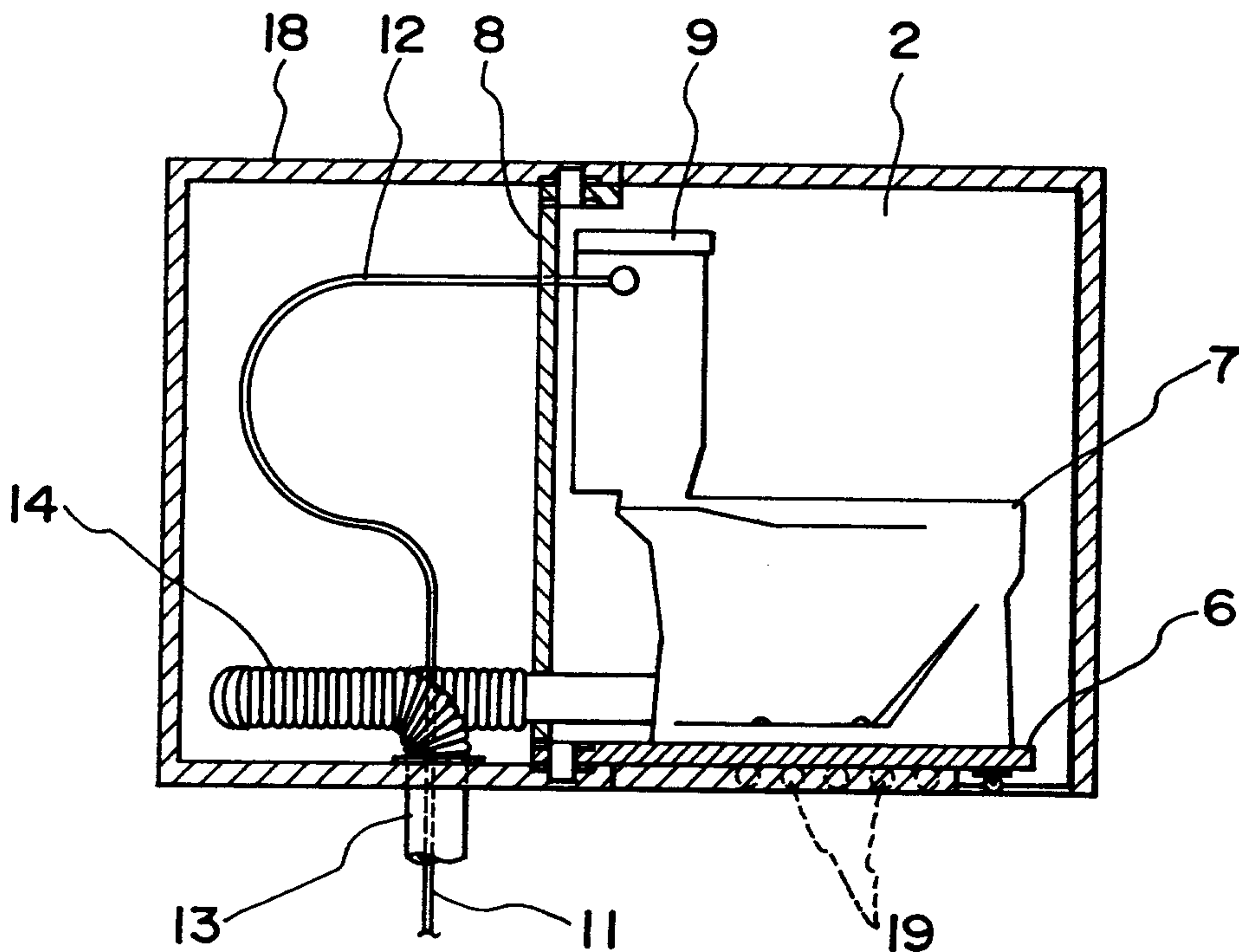


FIG. 6**FIG. 7**

Marks & Clerk

FIG. 8

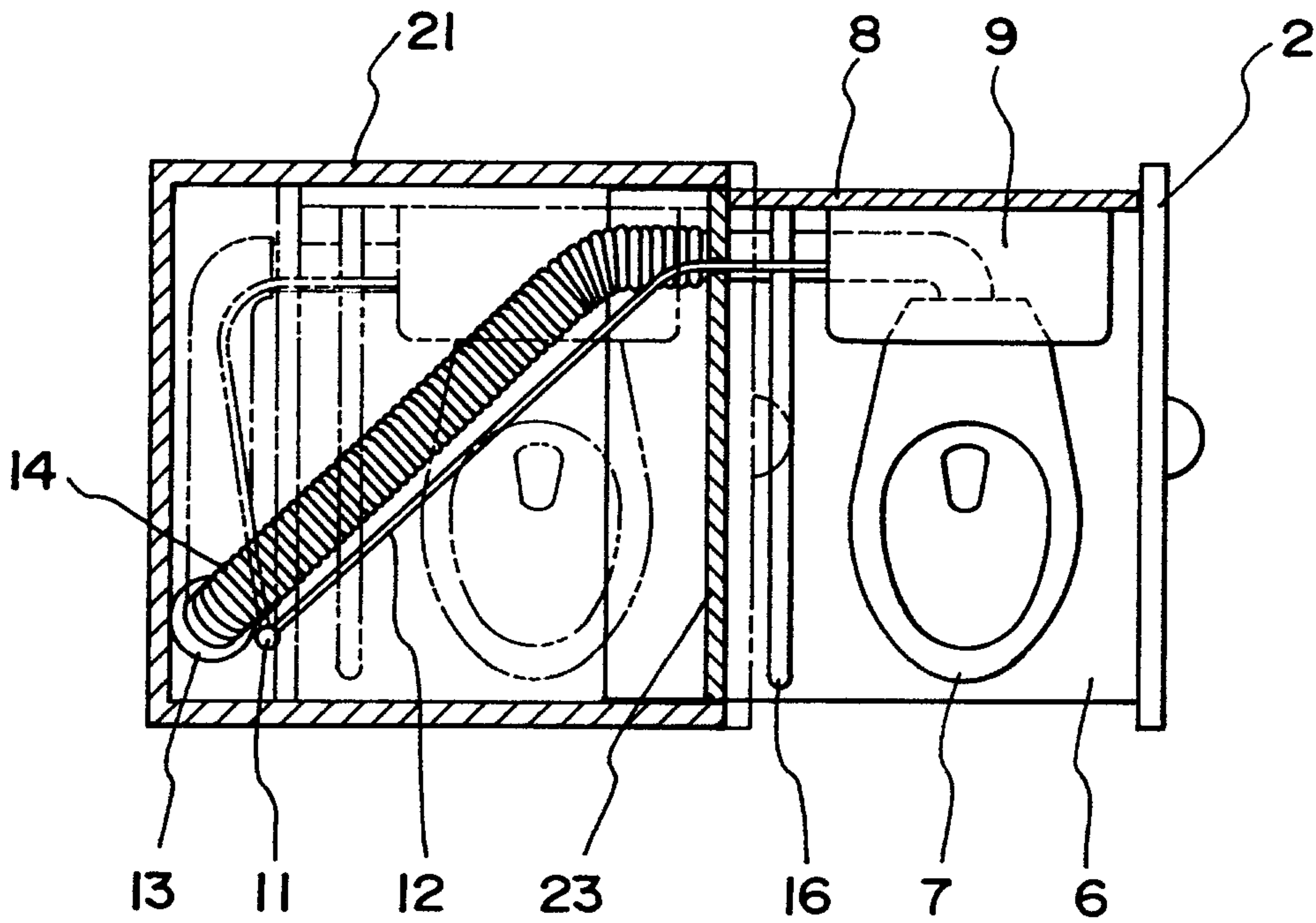
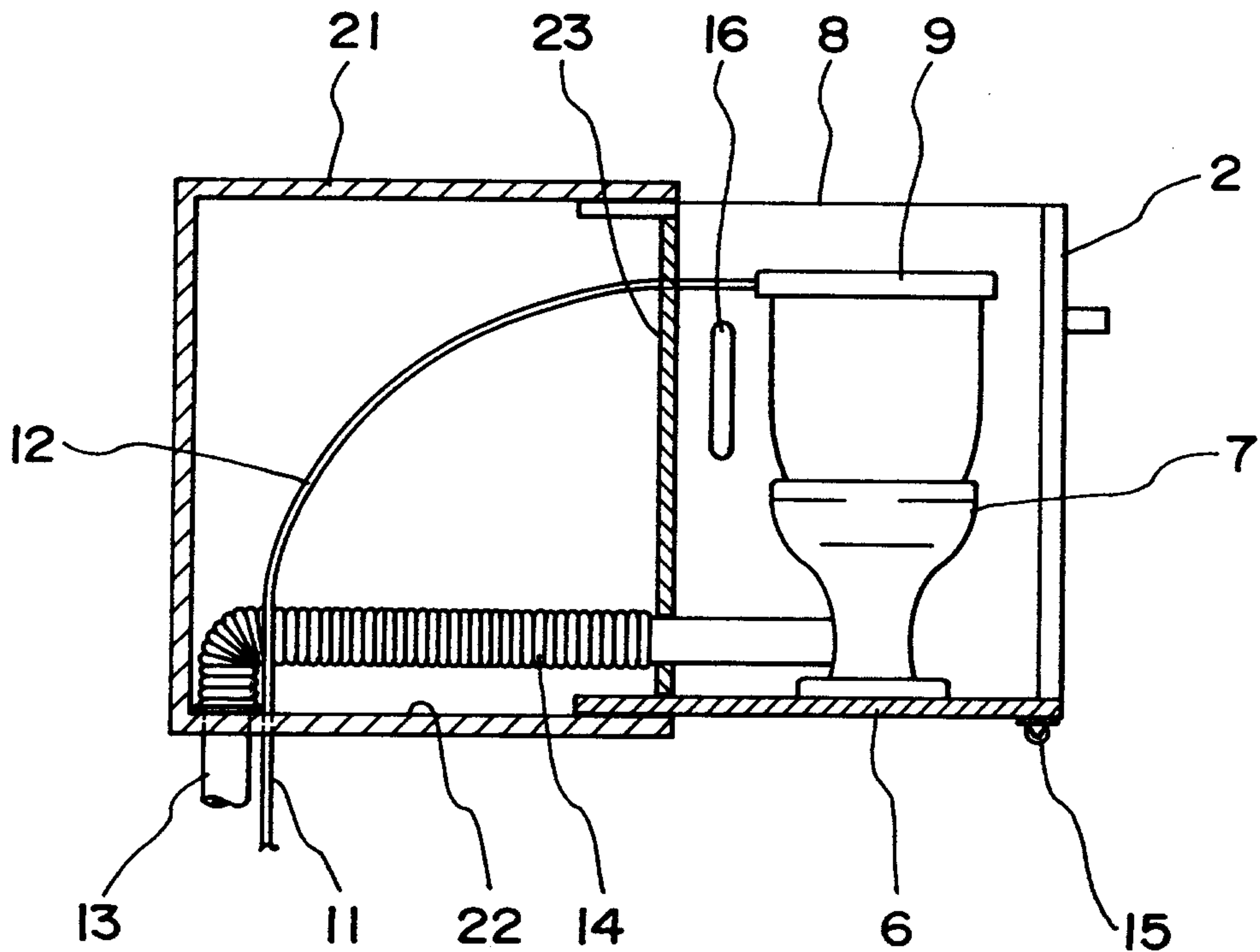


FIG. 9



Marks & Clerk

FIG. 10

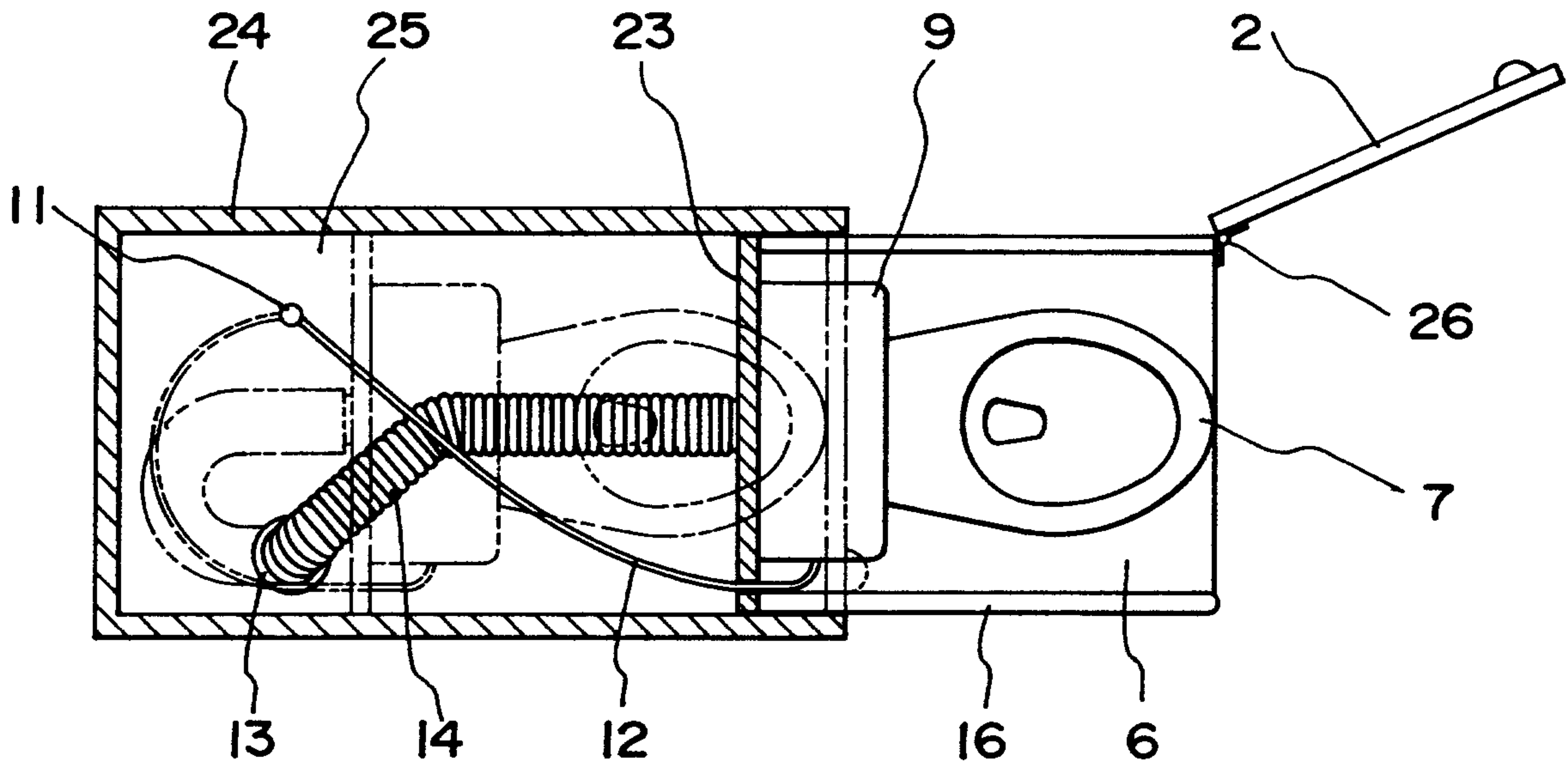
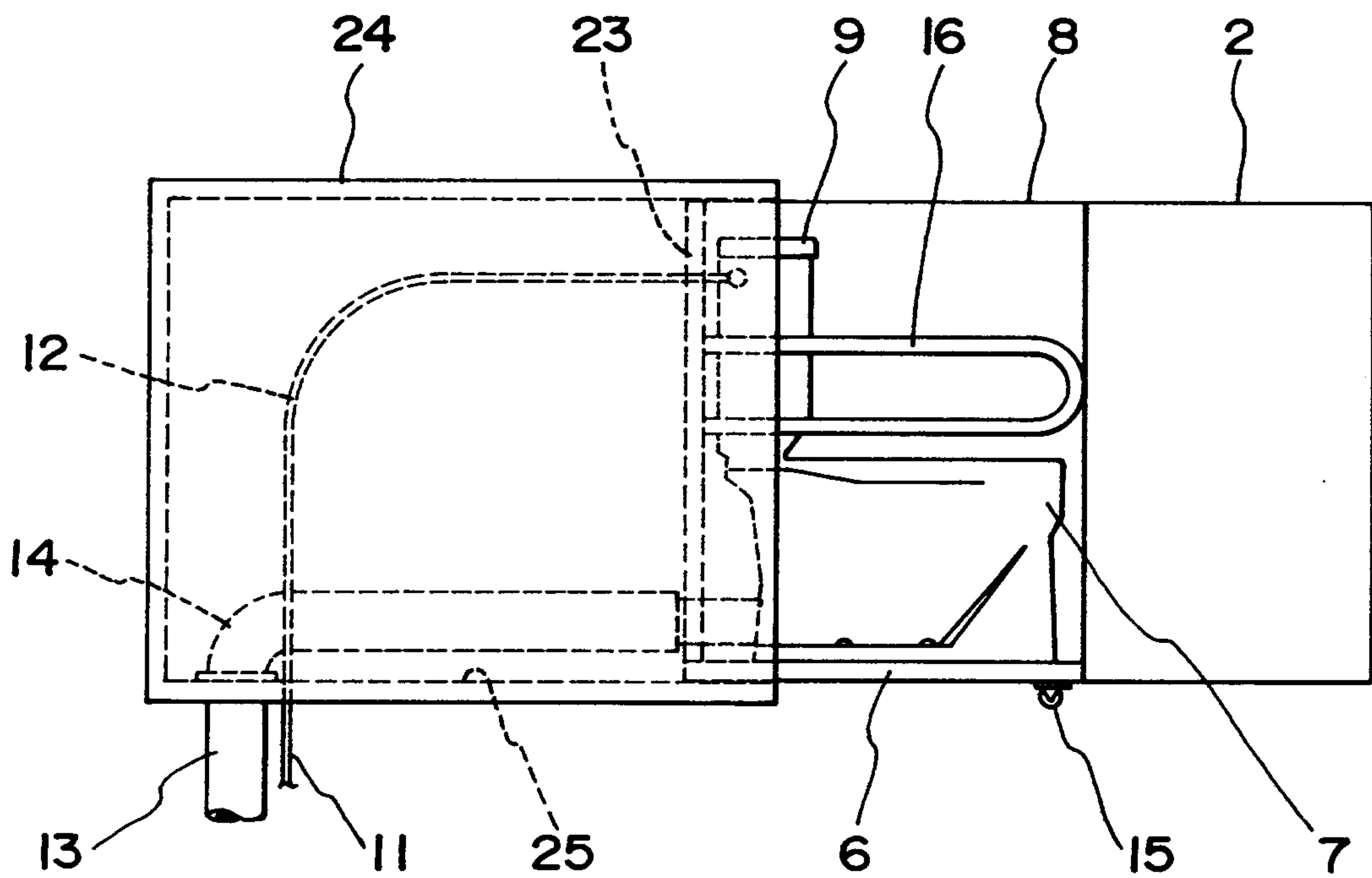


FIG. 11



Marks & Clerk

FIG. 12

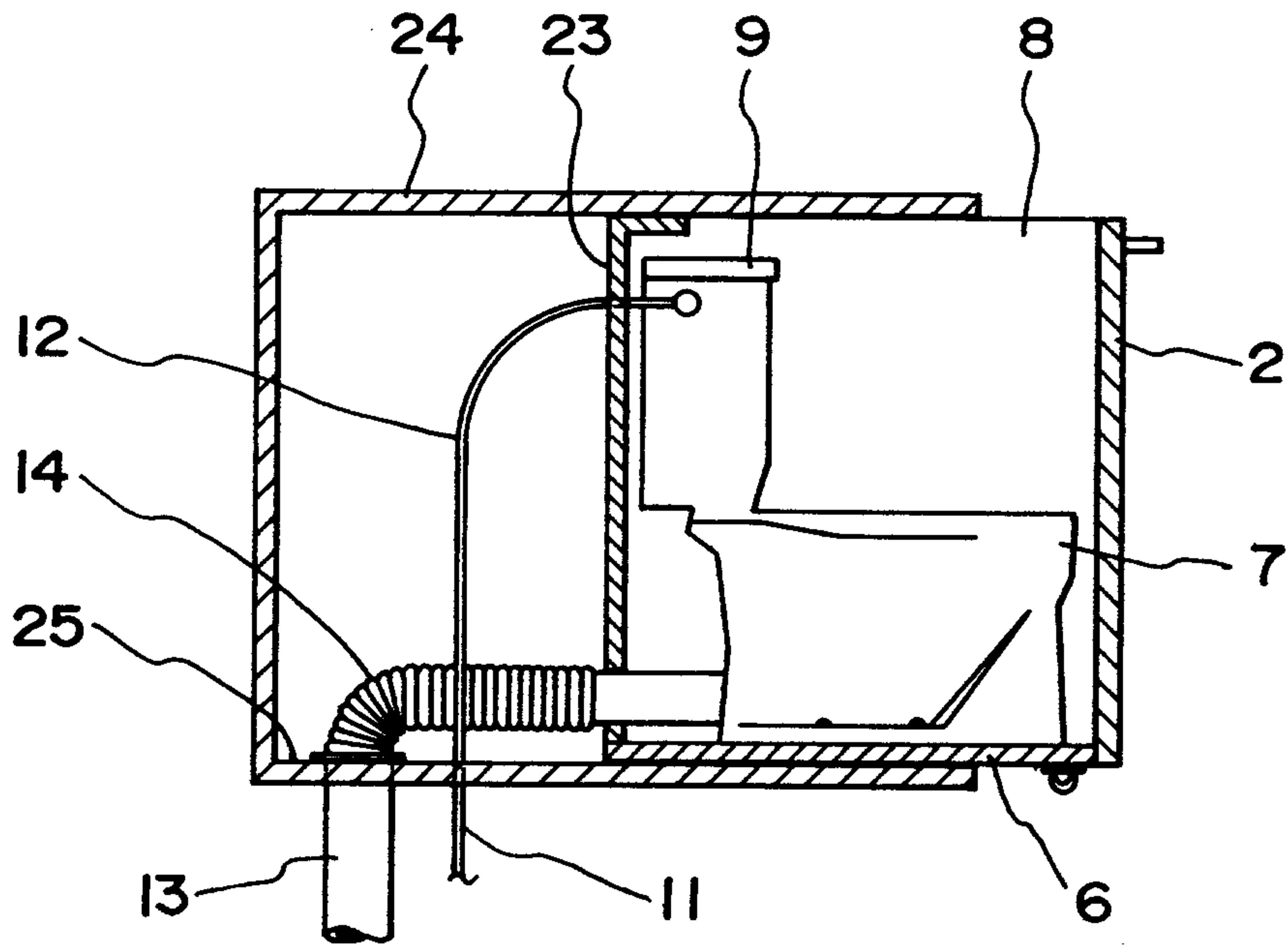
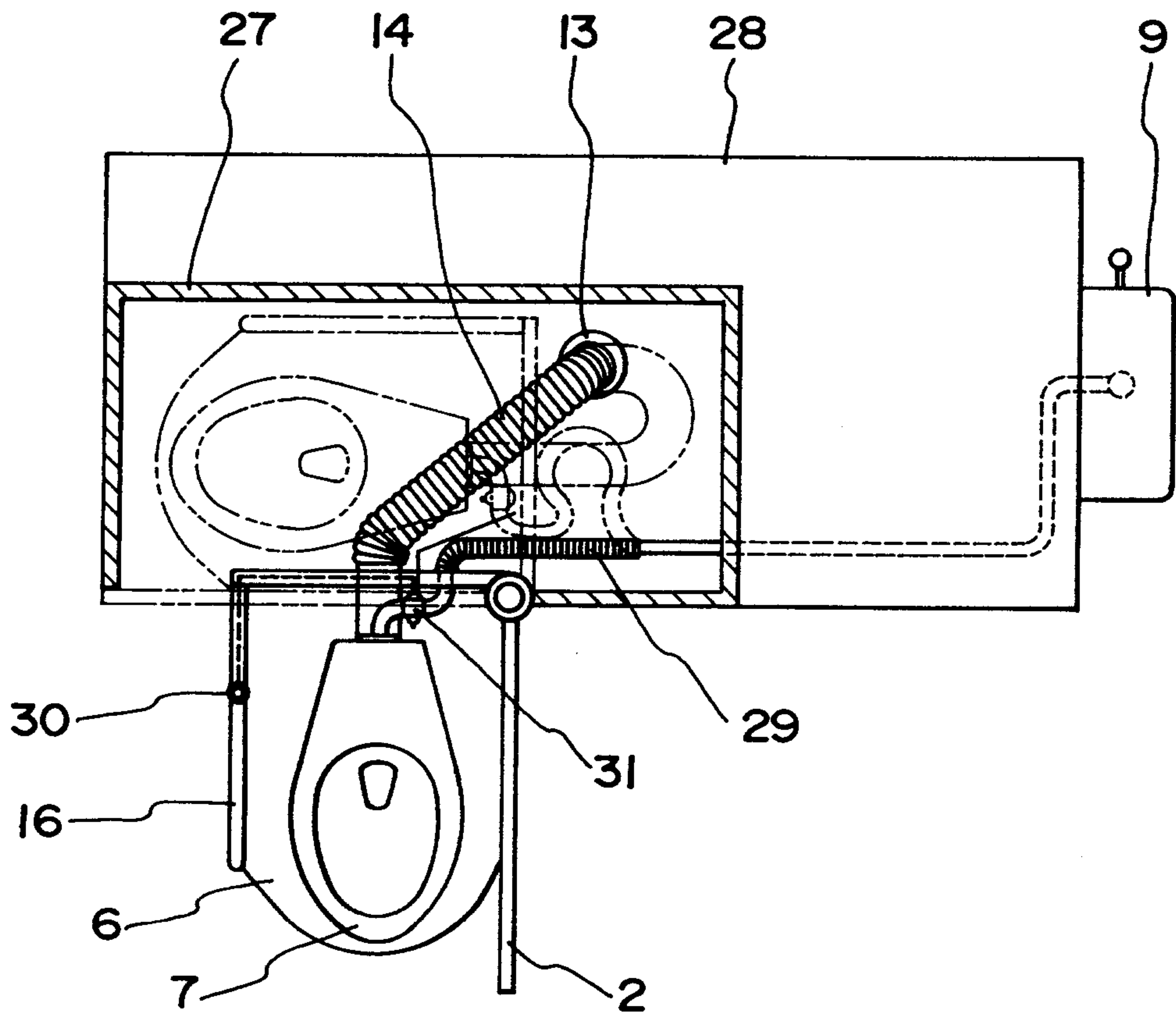


FIG. 13



Marks & Clerk

FIG. 14

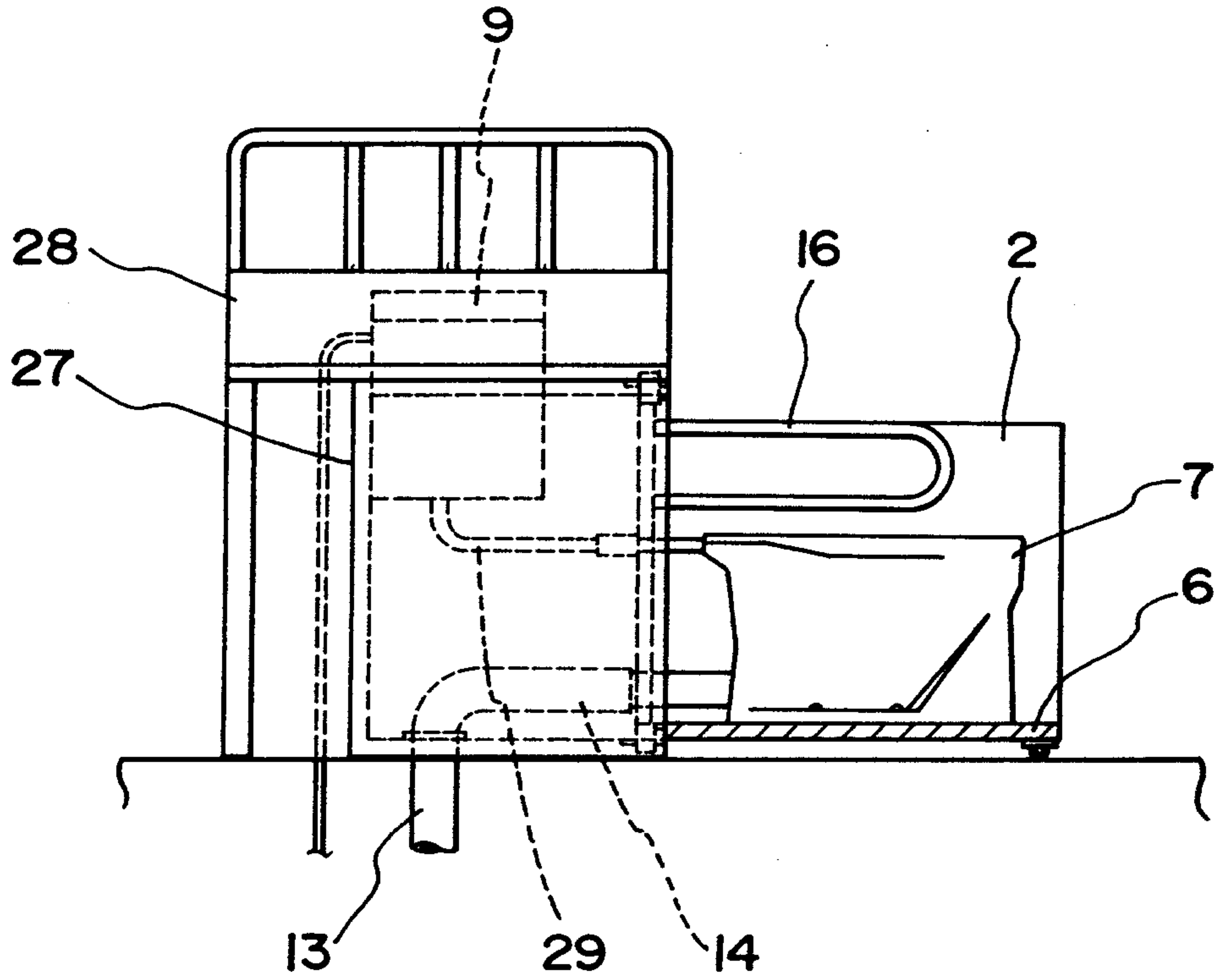


FIG. 15

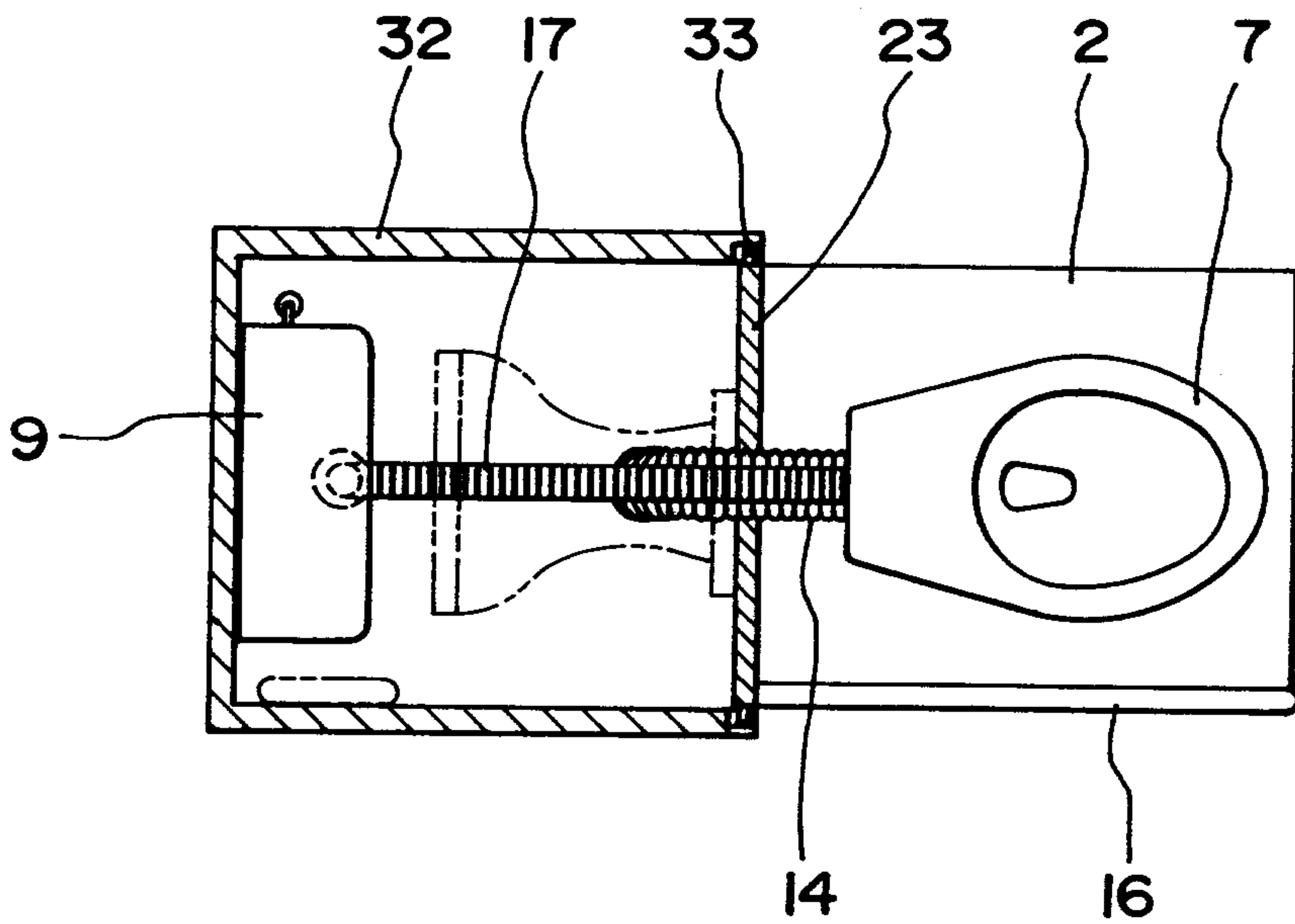


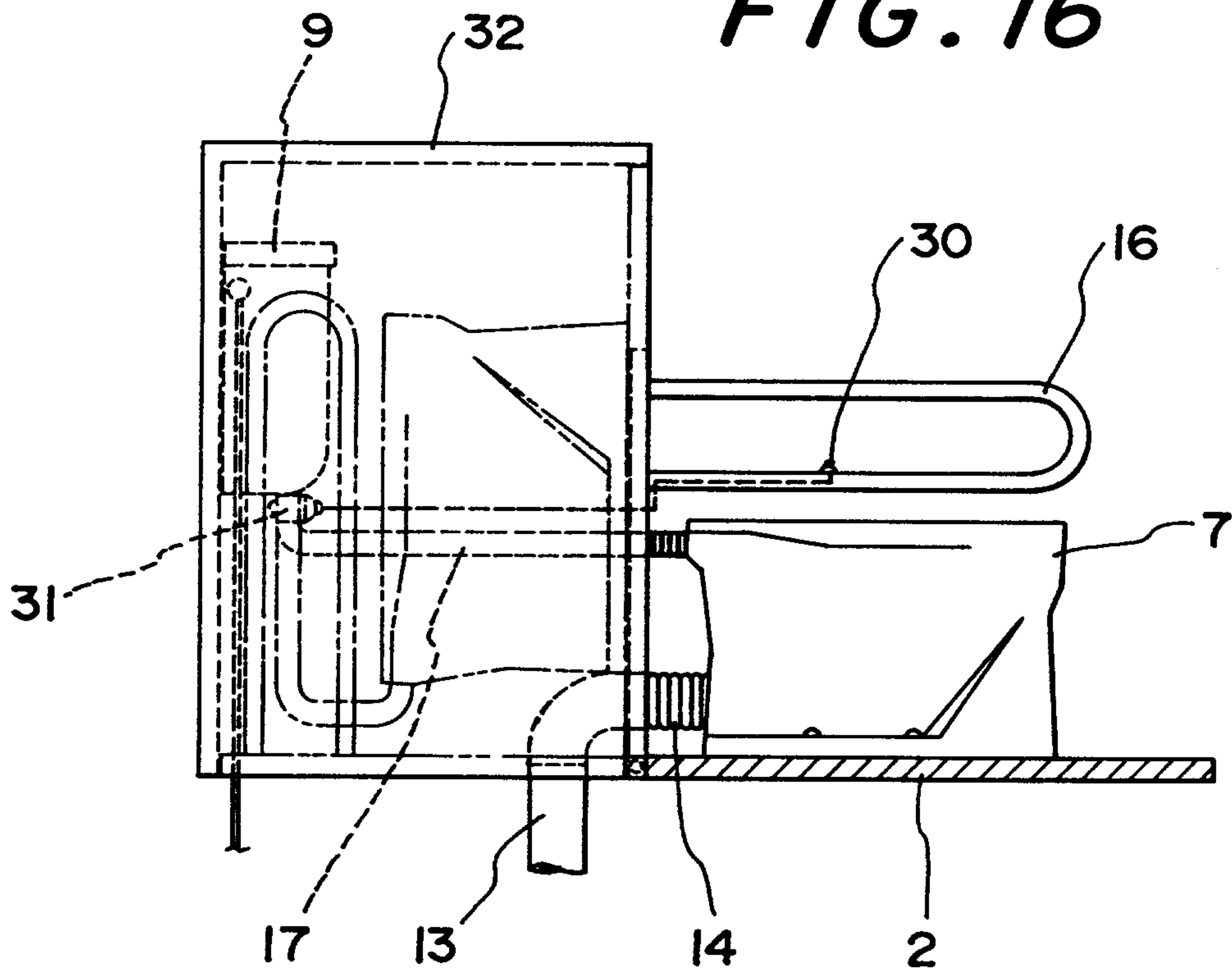
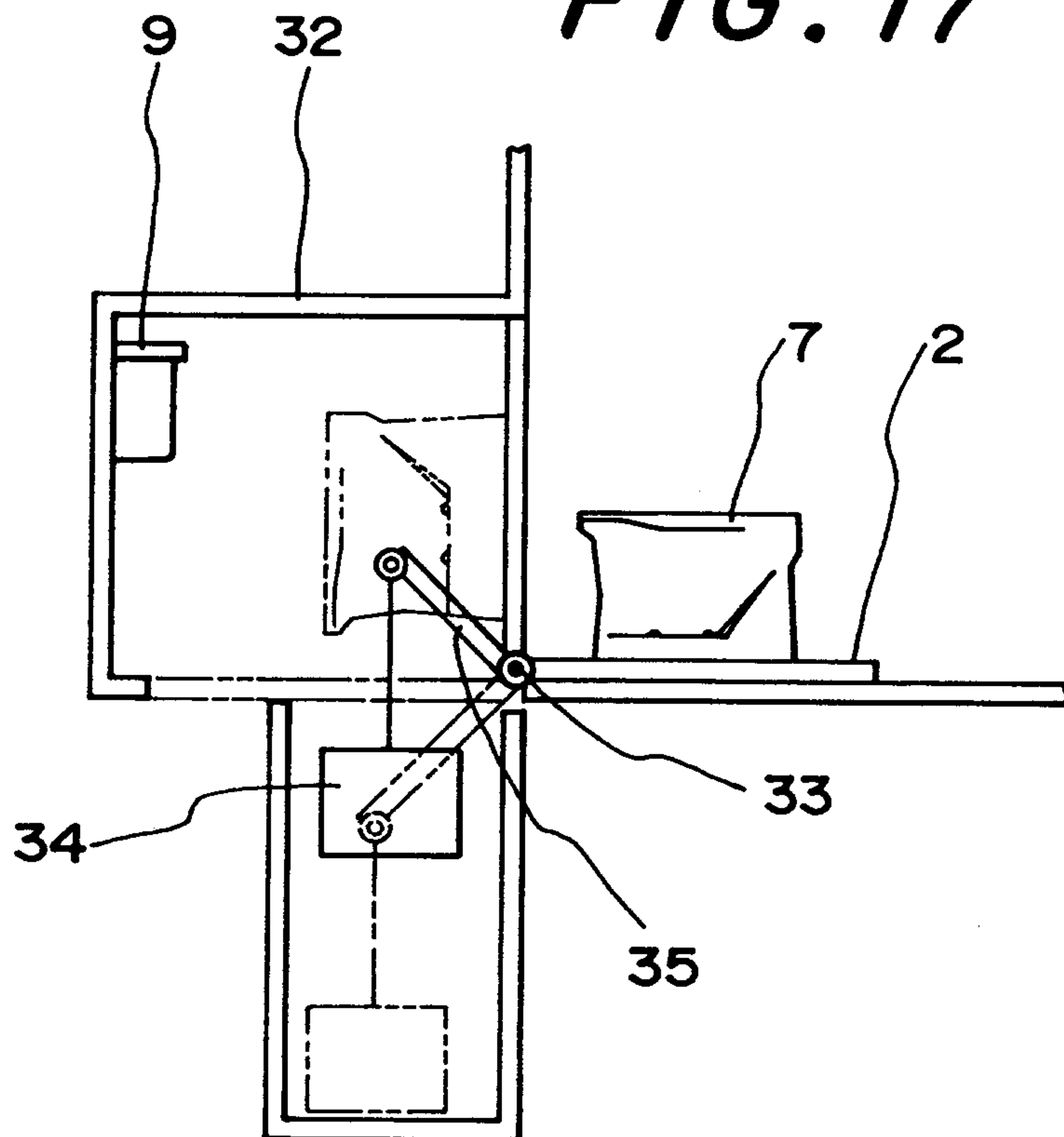
FIG. 16**FIG. 17**

FIG. 18

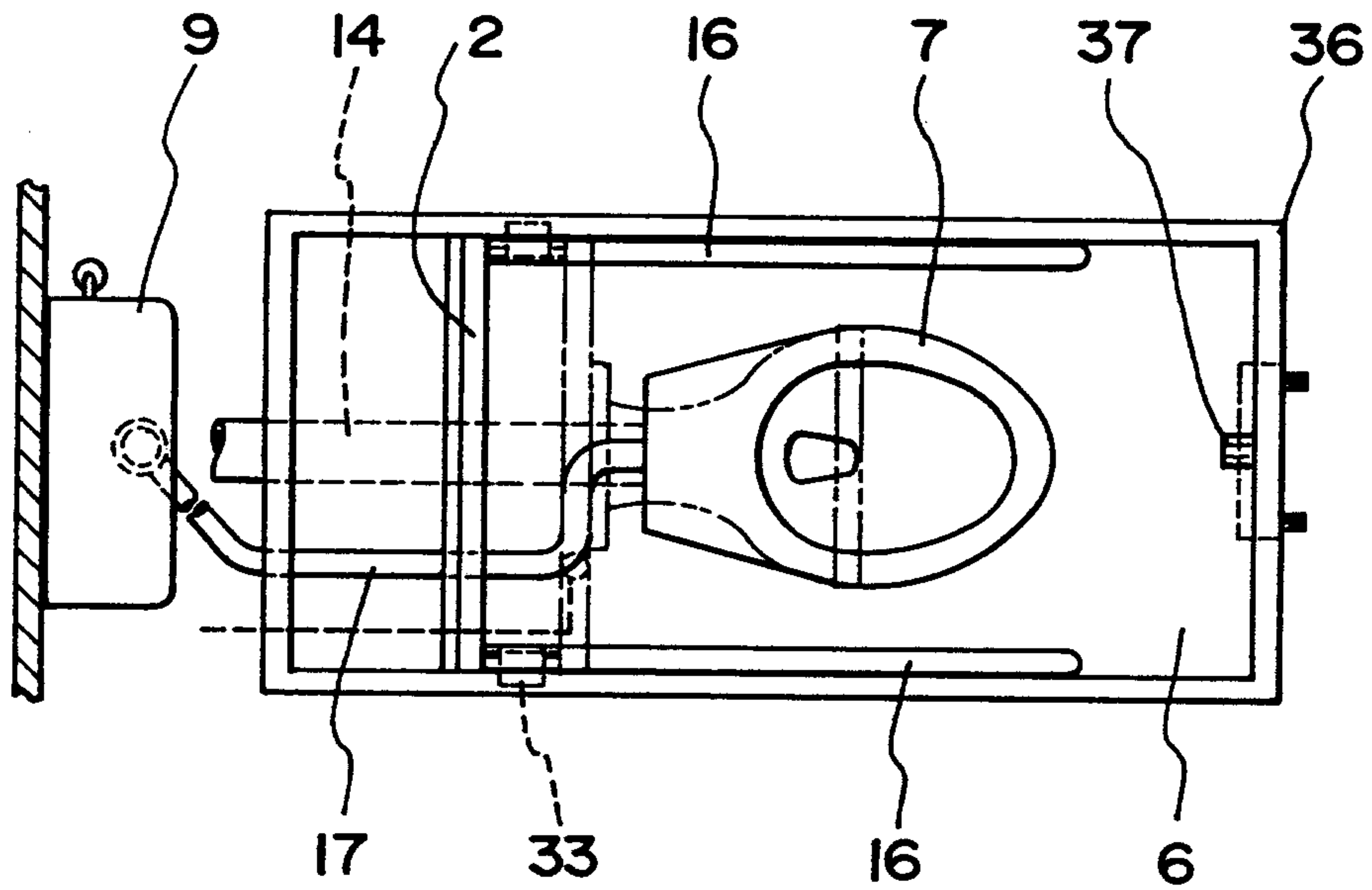


FIG. 19

