



US00D596346S

(12) **United States Design Patent**
Boissevain

(10) **Patent No.:** **US D596,346 S**

(45) **Date of Patent:** **** Jul. 14, 2009**

(54) **LUMINAIRE**

(57) **CLAIM**

(75) Inventor: **Chris Boissevain**, Wimberley, TX (US)

The ornamental design for a luminaire, as shown and described.

(73) Assignee: **Koninklijke Philips Electronics, N.V.**, Eindhoven (NL)

(**) Term: **14 Years**

DESCRIPTION

(21) Appl. No.: **29/324,550**

FIG. 1 is a perspective view of a first embodiment of a luminaire showing my design;

(22) Filed: **Sep. 15, 2008**

FIG. 2 is a front elevational view thereof;

(51) **LOC (9) Cl.** **26-99**

FIG. 3 is a rear elevational view thereof;

(52) **U.S. Cl.** **D26/120**

FIG. 4 is a left side elevational view thereof, a right side elevational view thereof being a mirror image of the right side elevational view;

(58) **Field of Classification Search** D11/131, D11/141; D26/85, 76, 118, 87, 86, 128, D26/74, 138, 60, 72, 75, 113, 120, 129, 140, D26/141, 142, 152, 153, 154, 155, 143, 144, D26/81; D8/381; D10/118; D13/180; D34/1; D5/1, 2, 41; D6/310; 119/233, 266, 267, 119/269, 256, 257; 362/148, 364, 365, 606, 362/612, 576, 581, 121, 125, 147, 217, 257, 362/317, 330, 351, 356, 363, 396, 404, 405, 362/101, 366

FIG. 5 is a top plan view thereof;

FIG. 6 is a bottom plan view thereof;

See application file for complete search history.

FIG. 7 is a perspective view of a second embodiment of the luminaire of my design;

FIG. 8 is a left side elevational view thereof, a right side elevational view thereof being a mirror image of the right side elevational view;

FIG. 9 is a top plan view thereof;

FIG. 10 is a bottom plan view thereof;

(56) **References Cited**

U.S. PATENT DOCUMENTS

D278,461	S	*	4/1985	Pepall	D24/210
D300,953	S	*	5/1989	Hughes et al.	D26/78
D308,730	S	*	6/1990	Nakagawa	D26/107
D434,519	S	*	11/2000	Herst et al.	D26/113
D437,959	S	*	2/2001	Lewis	D26/76
6,273,592	B1	*	8/2001	Herst et al.	362/342
D521,172	S	*	5/2006	Chen	D26/76
D528,649	S	*	9/2006	Wilson	D23/411

FIG. 11 is a perspective view of a third embodiment of the luminaire of my design;

FIG. 12 is a left side elevational view thereof, a right side elevational view thereof being a mirror image of the right side elevational view;

FIG. 13 is a top plan view thereof; and,

FIG. 14 is a bottom plan view thereof.

The broken lines showing environmental structure are for illustrative purposes only and form no part of the claimed design. It is understood that the front and rear views of the second and third embodiment are identical to the front and rear views of the first embodiment.

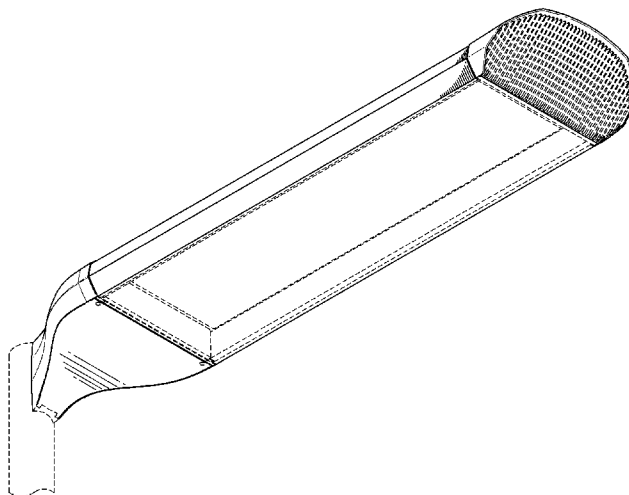
* cited by examiner

Primary Examiner—Cathron C Brooks

Assistant Examiner—Kevin K Rudzinski

(74) *Attorney, Agent, or Firm*—John F. Salazar; Middleton Reutlinger

1 Claim, 13 Drawing Sheets



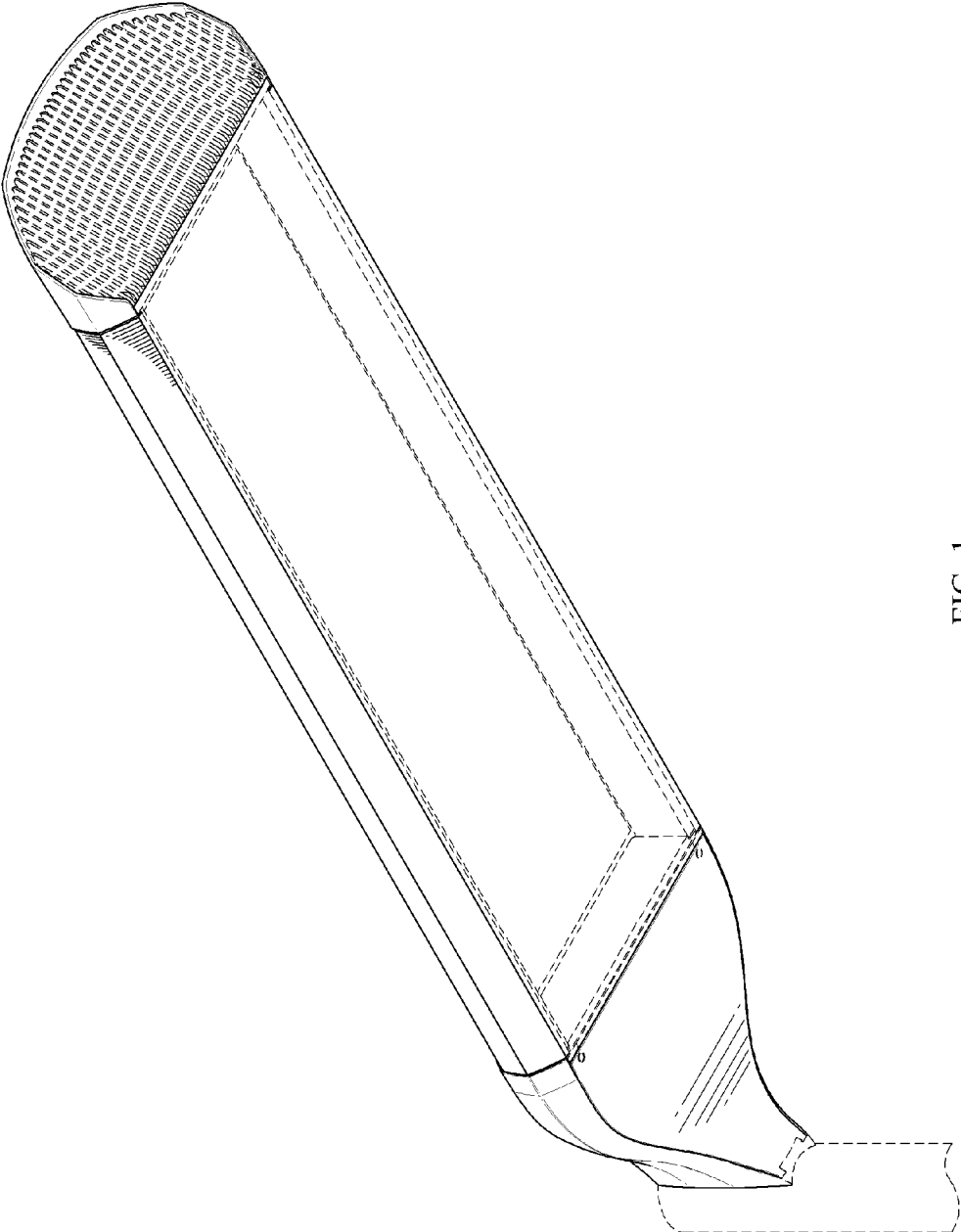


FIG. 1

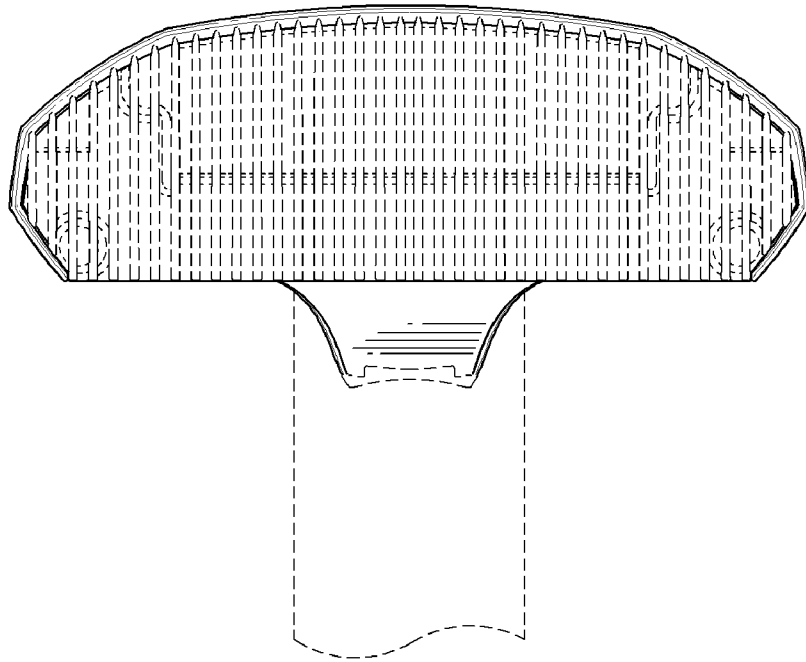


FIG. 2

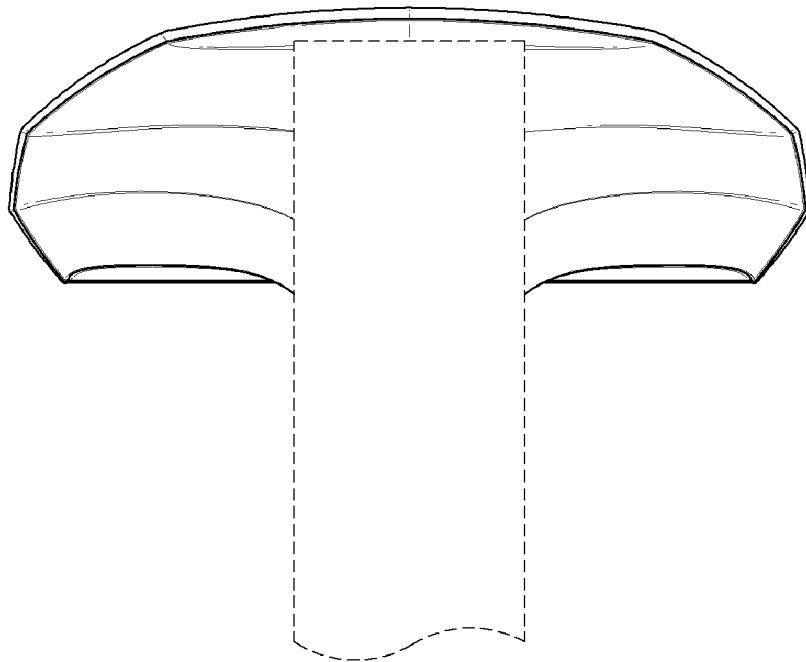


FIG. 3

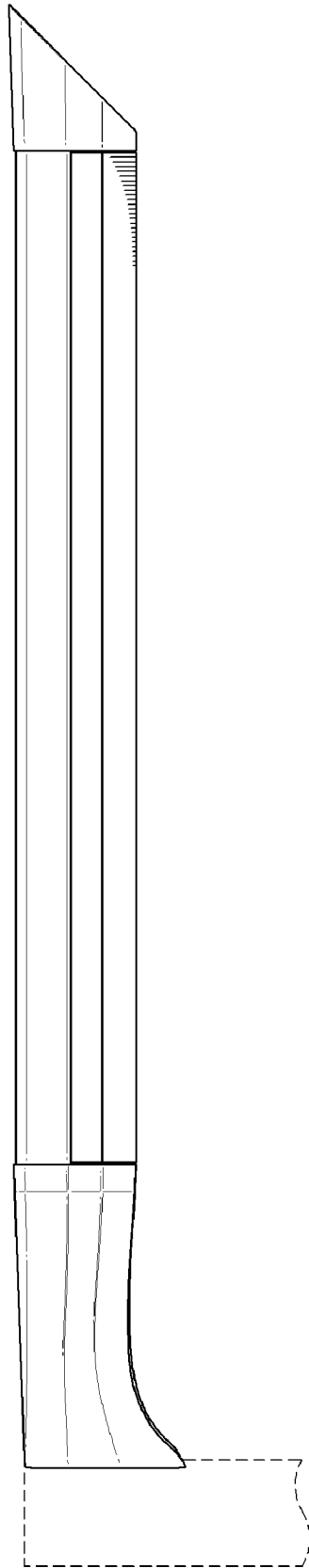


FIG. 4

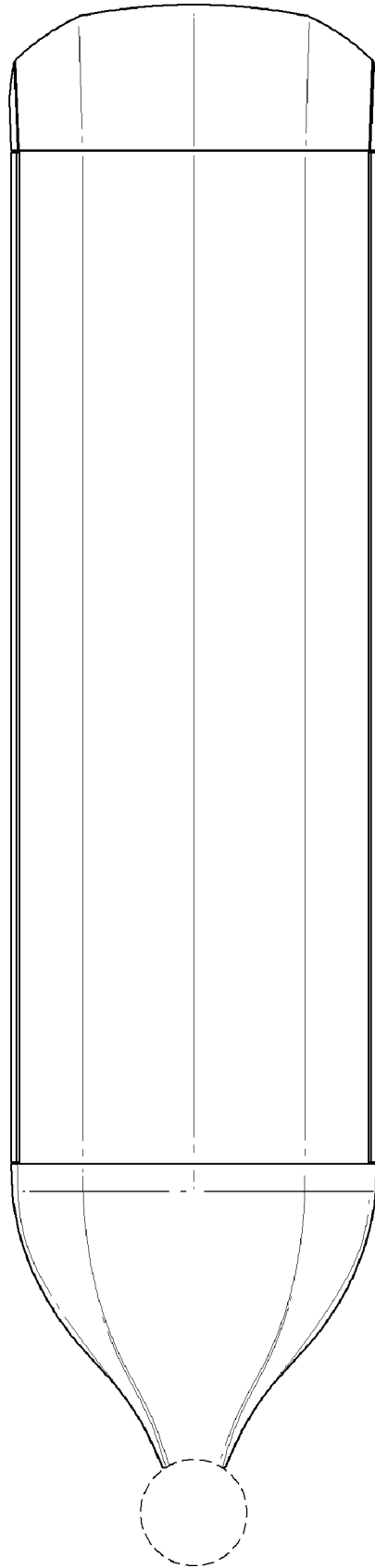


FIG. 5

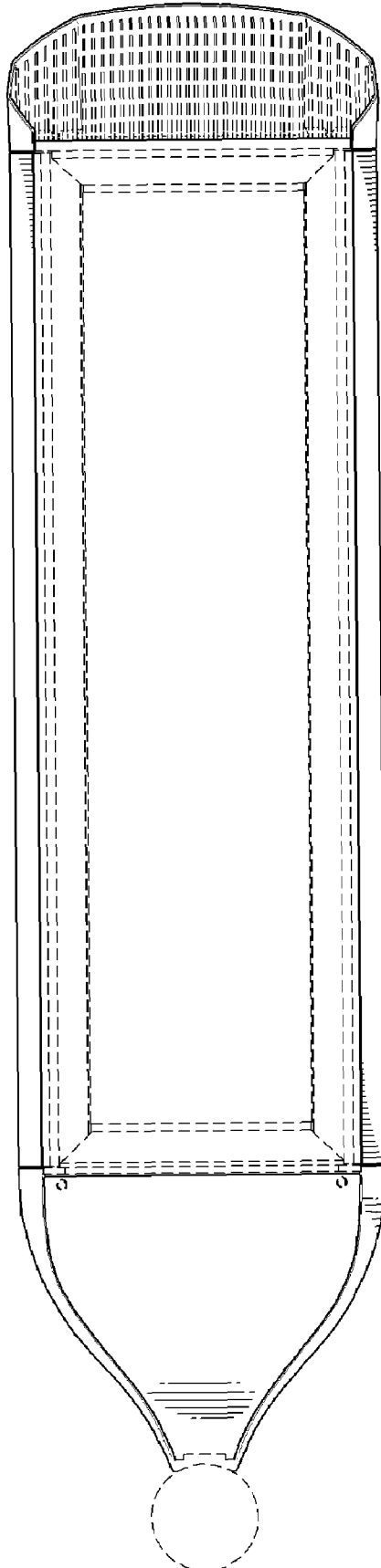


FIG. 6

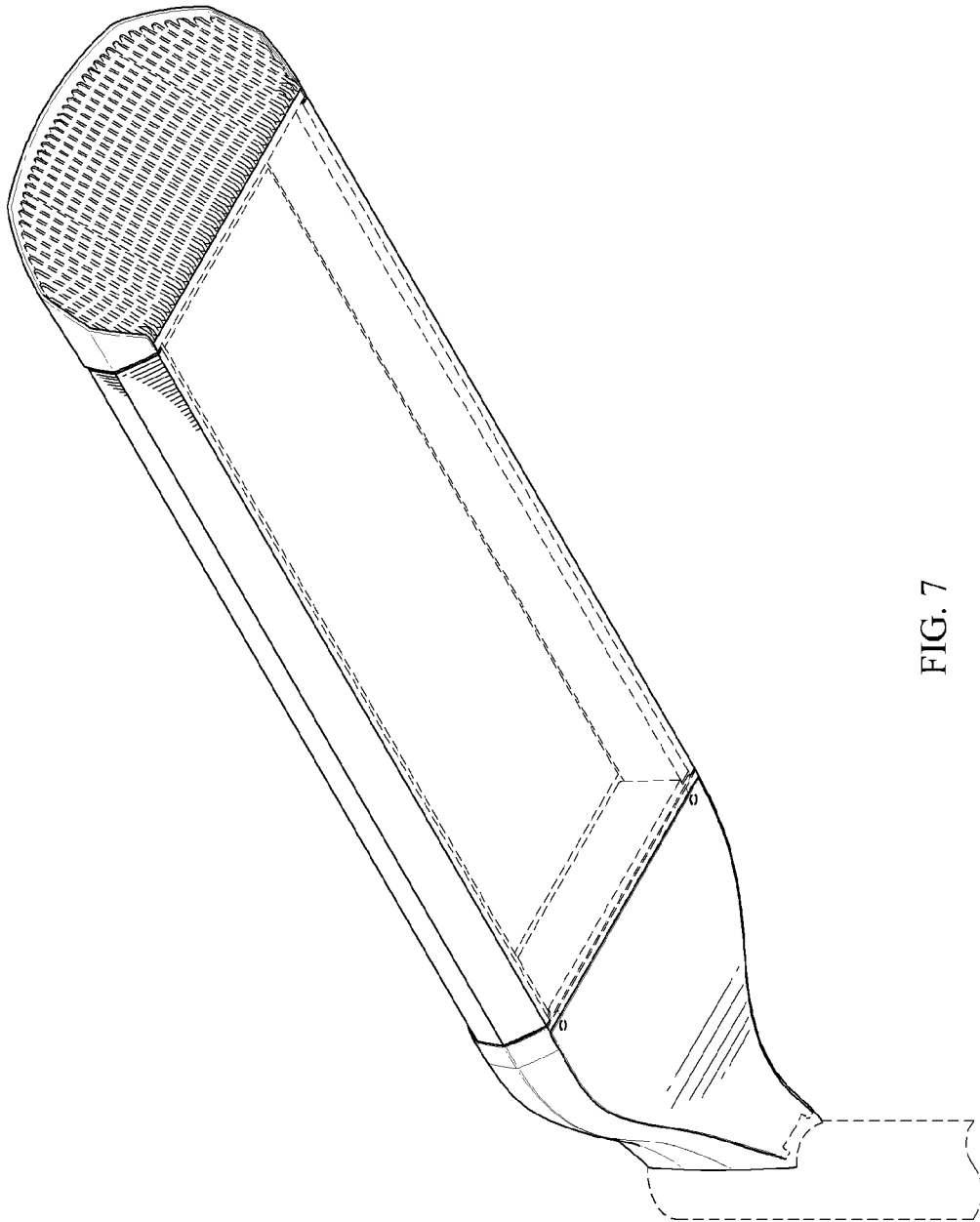


FIG. 7

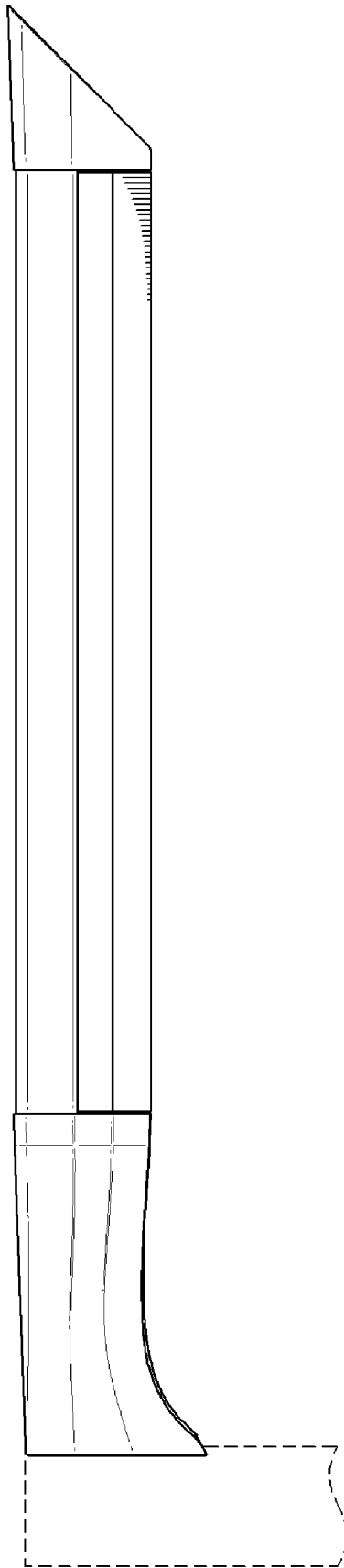


FIG. 8

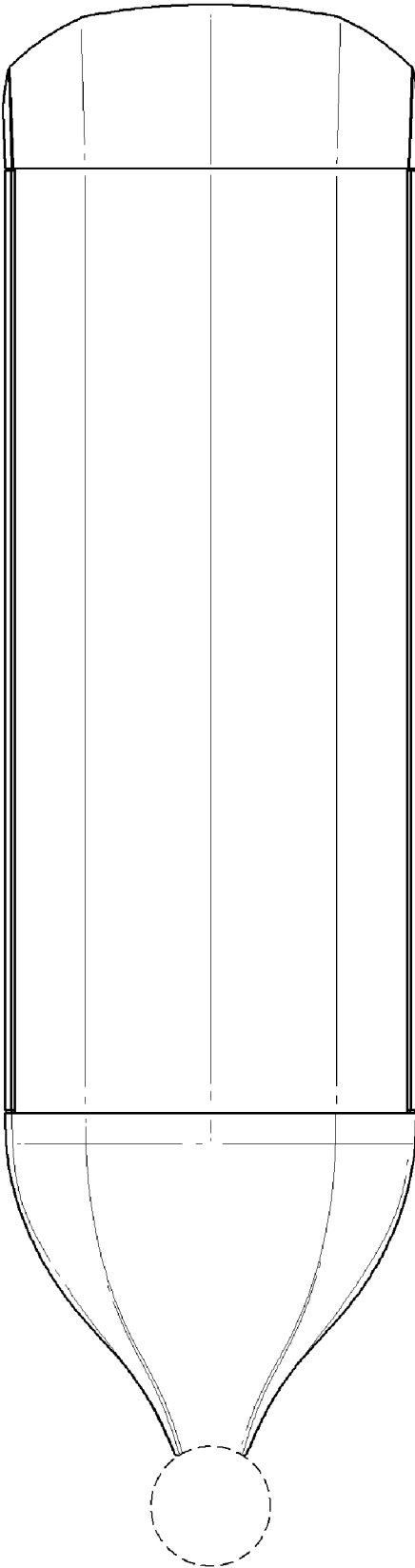


FIG. 9

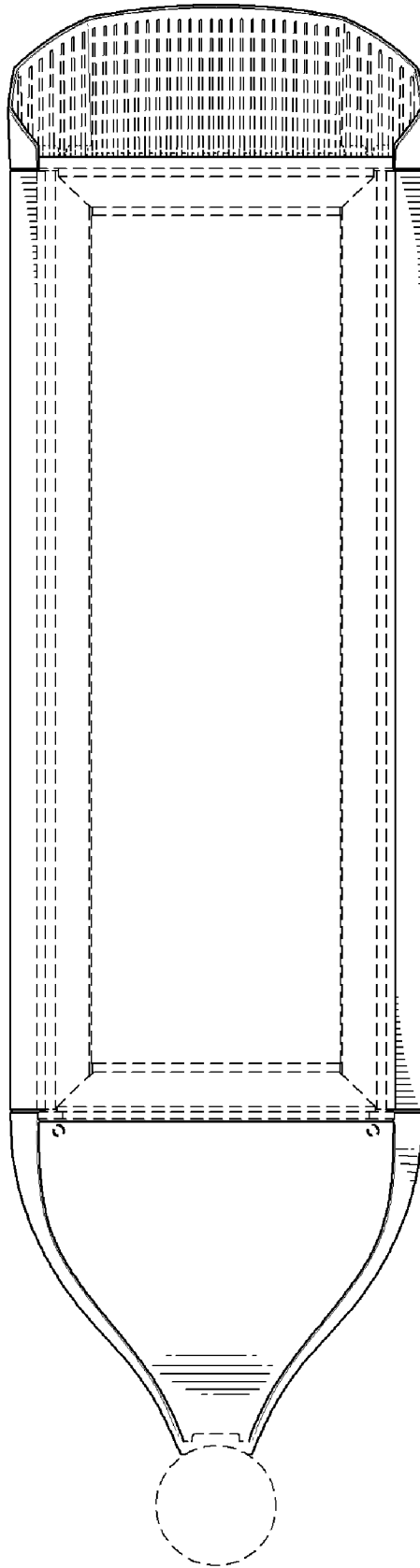


FIG. 10

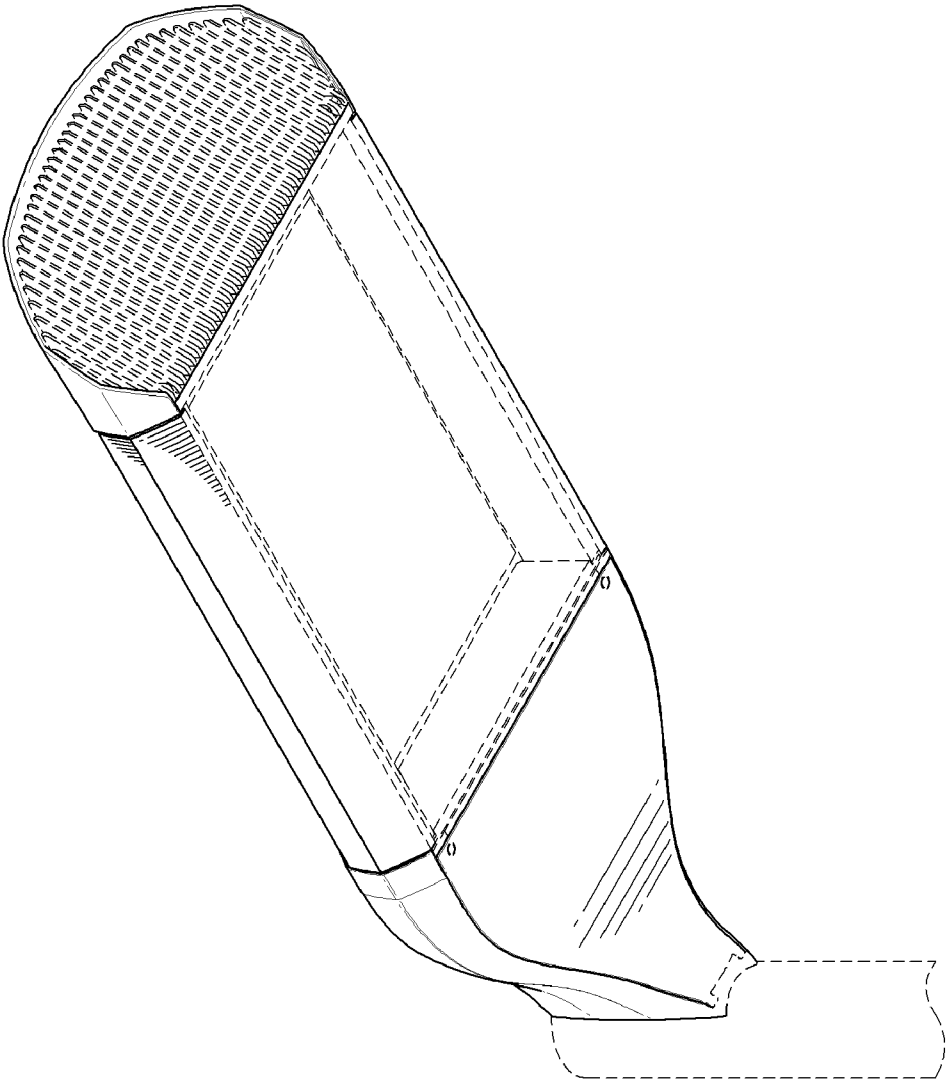


FIG. 11

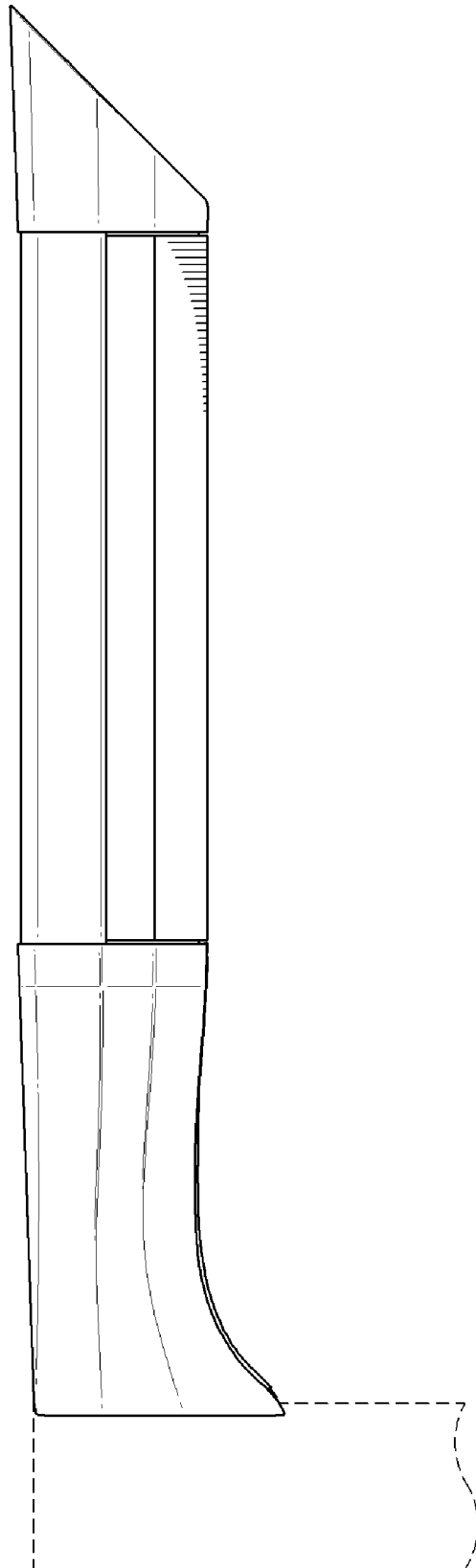


FIG. 12

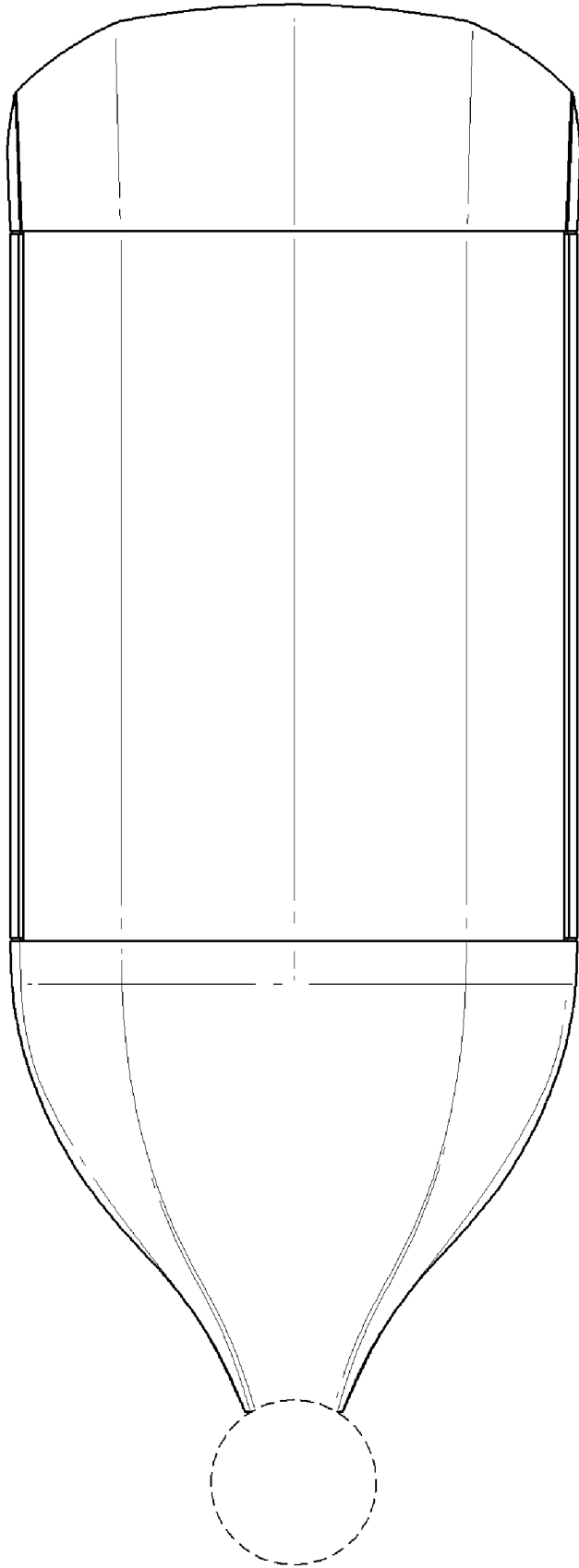


FIG. 13

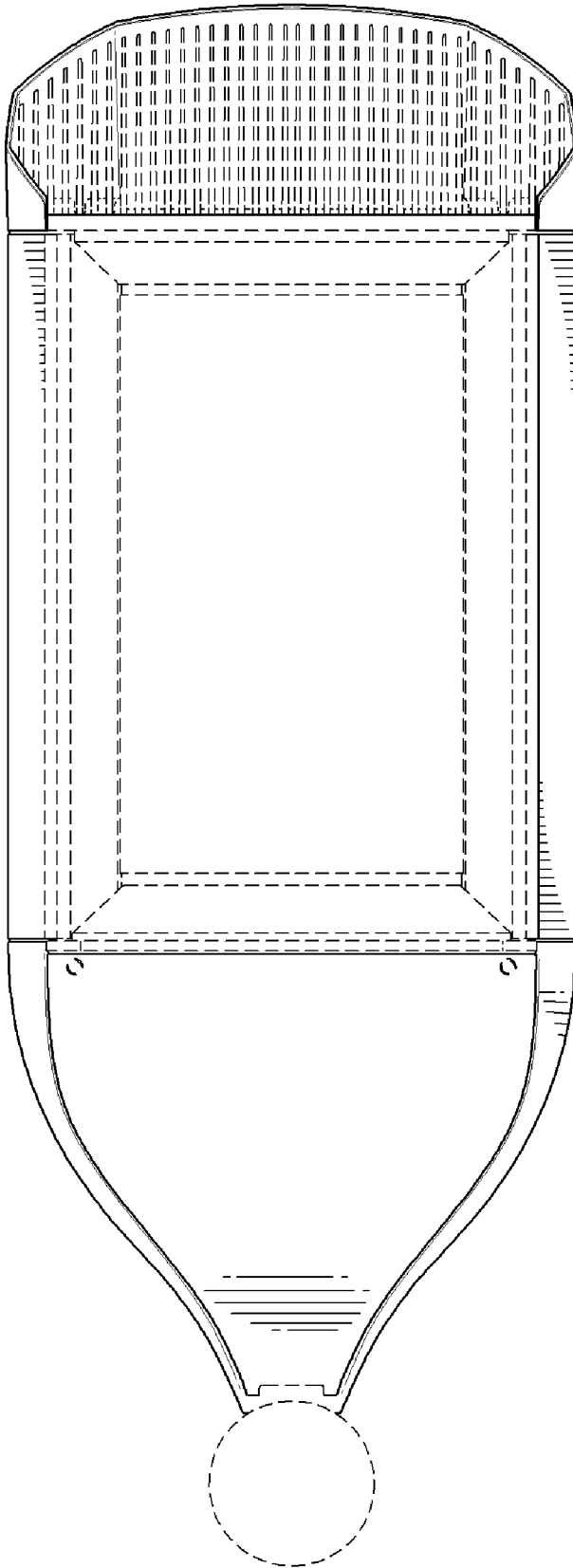


FIG. 14