

(19) World Intellectual Property Organization
International Bureau



(43) International Publication Date
20 February 2003 (20.02.2003)

PCT

(10) International Publication Number
WO 03/014595 A3

(51) International Patent Classification⁷: F16F 9/08, A61F 2/60, 2/74

(21) International Application Number: PCT/US02/25234

(22) International Filing Date: 7 August 2002 (07.08.2002)

(25) Filing Language: English

(26) Publication Language: English

(30) Priority Data: 60/311,318 10 August 2001 (10.08.2001) US

(71) Applicant and

(72) Inventor: MASON, James, D. [US/US]; 8301 Spanish Meadows Avenue, Las Vegas, NV 89131-1448 (US).

(74) Agent: MCCLAIN, James, W.; Brown Martin Haller & McClain, LLP, 1660 Union Street, San Diego, CA 92101-2926 (US).

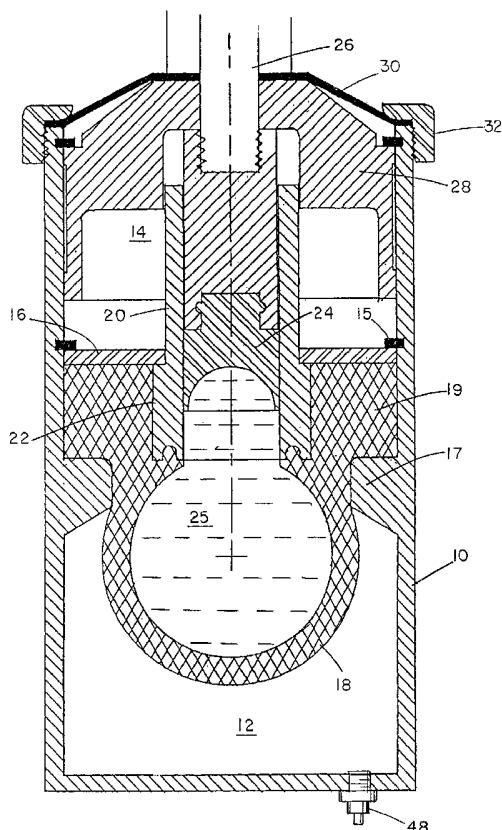
(81) Designated States (national): AE, AG, AL, AM, AT, AU, AZ, BA, BB, BG, BR, BY, BZ, CA, CH, CN, CO, CR, CU, CZ, DE, DK, DM, DZ, EC, EE, ES, FI, GB, GD, GE, GH, GM, HR, HU, ID, IL, IN, IS, JP, KE, KG, KP, KR, KZ, LC, LK, LR, LS, LT, LU, LV, MA, MD, MG, MK, MN, MW, MX, MZ, NO, NZ, OM, PH, PL, PT, RO, RU, SD, SE, SG, SI, SK, SL, TJ, TM, TN, TR, TT, TZ, UA, UG, UZ, VN, YU, ZA, ZM, ZW.

(84) Designated States (regional): ARIPO patent (GH, GM, KE, LS, MW, MZ, SD, SL, SZ, TZ, UG, ZM, ZW), Eurasian patent (AM, AZ, BY, KG, KZ, MD, RU, TJ, TM), European patent (AT, BE, BG, CH, CY, CZ, DE, DK, EE, ES, FI, FR, GB, GR, IE, IT, LU, MC, NL, PT, SE, SK, TR), OAPI patent (BF, BJ, CF, CG, CI, CM, GA, GN, GQ, GW, ML, MR, NE, SN, TD, TG).

Published: — with international search report

[Continued on next page]

(54) Title: ATTENUATOR APPARATUS



(57) Abstract: An attenuator apparatus has an outer housing (10) with a first chamber (12) filled with a first fluid, and a bellows member (18) of elastomeric material mounted in the first chamber (25) and having a second chamber filled with a second fluid, the bellows member having a first end facing away from the first chamber. A piston (24) is slidably mounted in the housing at the first end of the bellows member for acting on the bellows member in response to a force applied to the piston so as to expand the bellows member in the first chamber and cushion the force. The bellows member returns to its original configuration and biases the piston back in a second direction opposite to the first direction on removal of the force.



WO 03/014595 A3



(88) Date of publication of the international search report:
1 May 2003

For two-letter codes and other abbreviations, refer to the "Guidance Notes on Codes and Abbreviations" appearing at the beginning of each regular issue of the PCT Gazette.

INTERNATIONAL SEARCH REPORT

Int. Application No

PCT/US 02/25234

A. CLASSIFICATION OF SUBJECT MATTER

IPC 7 F16F9/08 A61F2/60 A61F2/74

According to International Patent Classification (IPC) or to both national classification and IPC

B. FIELDS SEARCHED

Minimum documentation searched (classification system followed by classification symbols)

IPC 7 F16F A61F

Documentation searched other than minimum documentation to the extent that such documents are included in the fields searched

Electronic data base consulted during the international search (name of data base and, where practical, search terms used)

EPO-Internal, PAJ

C. DOCUMENTS CONSIDERED TO BE RELEVANT

Category *	Citation of document, with indication, where appropriate, of the relevant passages	Relevant to claim No.
X	US 5 098 071 A (UMETSU CHIHARU) 24 March 1992 (1992-03-24) figure 1 column 3, line 57 -column 4, line 34	1-3, 5, 7, 12-17
A	---	8
X	FR 2 672 355 A (ROBINETTERIE INDLE STE NLE) 7 August 1992 (1992-08-07) figure 3 page 8, line 30 -page 9, line 35	1-3, 5-7, 12-17
A	---	12
A	US 5 092 902 A (ADAMS THOMAS C ET AL) 3 March 1992 (1992-03-03) figures abstract	
A	---	
A	DE 10 82 810 B (FRIESEKE & HOEPFNER GMBH) 2 June 1960 (1960-06-02) ---	
	-/--	

 Further documents are listed in the continuation of box C. Patent family members are listed in annex.

* Special categories of cited documents:

- *A* document defining the general state of the art which is not considered to be of particular relevance
- *E* earlier document but published on or after the international filing date
- *L* document which may throw doubts on priority claim(s) or which is cited to establish the publication date of another citation or other special reason (as specified)
- *O* document referring to an oral disclosure, use, exhibition or other means
- *P* document published prior to the international filing date but later than the priority date claimed

- *T* later document published after the international filing date or priority date and not in conflict with the application but cited to understand the principle or theory underlying the invention
- *X* document of particular relevance; the claimed invention cannot be considered novel or cannot be considered to involve an inventive step when the document is taken alone
- *Y* document of particular relevance; the claimed invention cannot be considered to involve an inventive step when the document is combined with one or more other such documents, such combination being obvious to a person skilled in the art.
- *&* document member of the same patent family

Date of the actual completion of the international search

29 October 2002

Date of mailing of the international search report

06/11/2002

Name and mailing address of the ISA

European Patent Office, P.B. 5818 Patentlaan 2
NL - 2280 HV Rijswijk
Tel. (+31-70) 340-2040, Tx. 31 651 epo nl,
Fax: (+31-70) 340-3016

Authorized officer

Beaumont, A

INTERNATIONAL SEARCH REPORT

Serial Application No
PCT/US 02/25234

C.(Continuation) DOCUMENTS CONSIDERED TO BE RELEVANT		
Category °	Citation of document, with indication, where appropriate, of the relevant passages	Relevant to claim No.
A	DE 11 26 747 B (BOGE GMBH) 29 March 1962 (1962-03-29) -----	

INTERNATIONAL SEARCH REPORT

International Application No
PCT/US 02/25234

Patent document cited in search report		Publication date	Patent family member(s)	Publication date
US 5098071	A	24-03-1992	JP 2817963 B2 JP 3086397 A DE 4027486 A1	30-10-1998 11-04-1991 04-04-1991
FR 2672355	A	07-08-1992	FR 2672355 A1	07-08-1992
US 5092902	A	03-03-1992	NONE	
DE 1082810	B	02-06-1960	NONE	
DE 1126747	B	29-03-1962	NONE	