



US00D867758S

(12) **United States Design Patent**  
**Jerabek**

(10) **Patent No.:** **US D867,758 S**

(45) **Date of Patent:** **\*\* Nov. 26, 2019**

(54) **HOLDALL**

(71) Applicant: **Eva-Maria Jerabek**, Klagenfurt (AT)

(72) Inventor: **Eva-Maria Jerabek**, Klagenfurt (AT)

(\*\*) Term: **15 Years**

(21) Appl. No.: **35/505,245**

(22) Filed: **Jan. 11, 2018**

(80) **Hague Agreement Data**

Int. Filing Date: **Jan. 11, 2018**

Int. Reg. No.: **DM/101660**

Int. Reg. Date: **Jan. 11, 2018**

Int. Reg. Pub. Date: **Jul. 6, 2018**

(30) **Foreign Application Priority Data**

Jul. 21, 2017 (EM) ..... 4113975-001

(51) **LOC (12) Cl.** ..... **03-01**

(52) **U.S. Cl.**  
USPC ..... **D3/295**

(58) **Field of Classification Search**  
USPC ..... D3/201, 269, 272-274, 284, 294, 295,  
D3/315

CPC ... B29C 66/71; B29C 66/8322; A45C 13/008;  
A45C 13/1084; A45C 13/02; A45C 11/00

See application file for complete search history.

(56) **References Cited**

U.S. PATENT DOCUMENTS

4,506,798 A *	3/1985	Goutille .....	B65D 88/121
			220/1.5
D336,152 S *	6/1993	Bunger .....	D3/201
D478,811 S *	8/2003	Huang .....	D3/294
D484,694 S *	1/2004	Leen .....	D3/273
D496,530 S *	9/2004	Wolf .....	D3/273
D691,804 S *	10/2013	Wang .....	D3/294
8,813,985 B2 *	8/2014	Schloesser .....	B65D 7/24
			206/600
D771,944 S *	11/2016	Epicureo .....	D3/305
D778,608 S *	2/2017	Hsu .....	D3/294
D818,712 S *	5/2018	Fleming .....	D3/294
D818,713 S *	5/2018	Fleming .....	D3/295
D836,339 S *	12/2018	Winn .....	D3/294
D837,513 S *	1/2019	Makela .....	D3/273

\* cited by examiner

*Primary Examiner* — Jennifer L Watkins

(57) **CLAIM**

The ornamental design for a holdall, as shown and described.

**DESCRIPTION**

1. Holdall

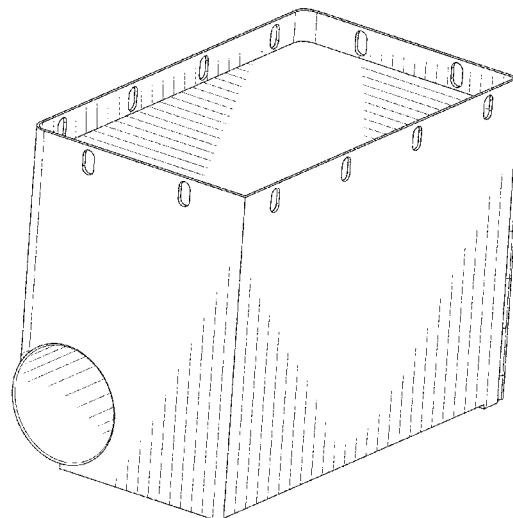
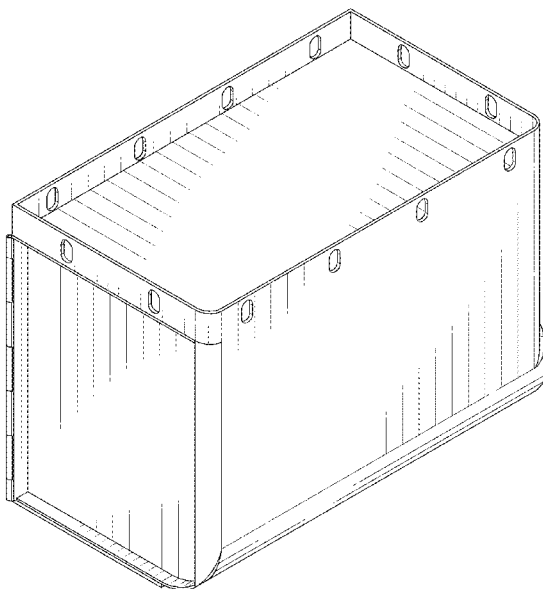
1.1 : front perspective view with closed access opening

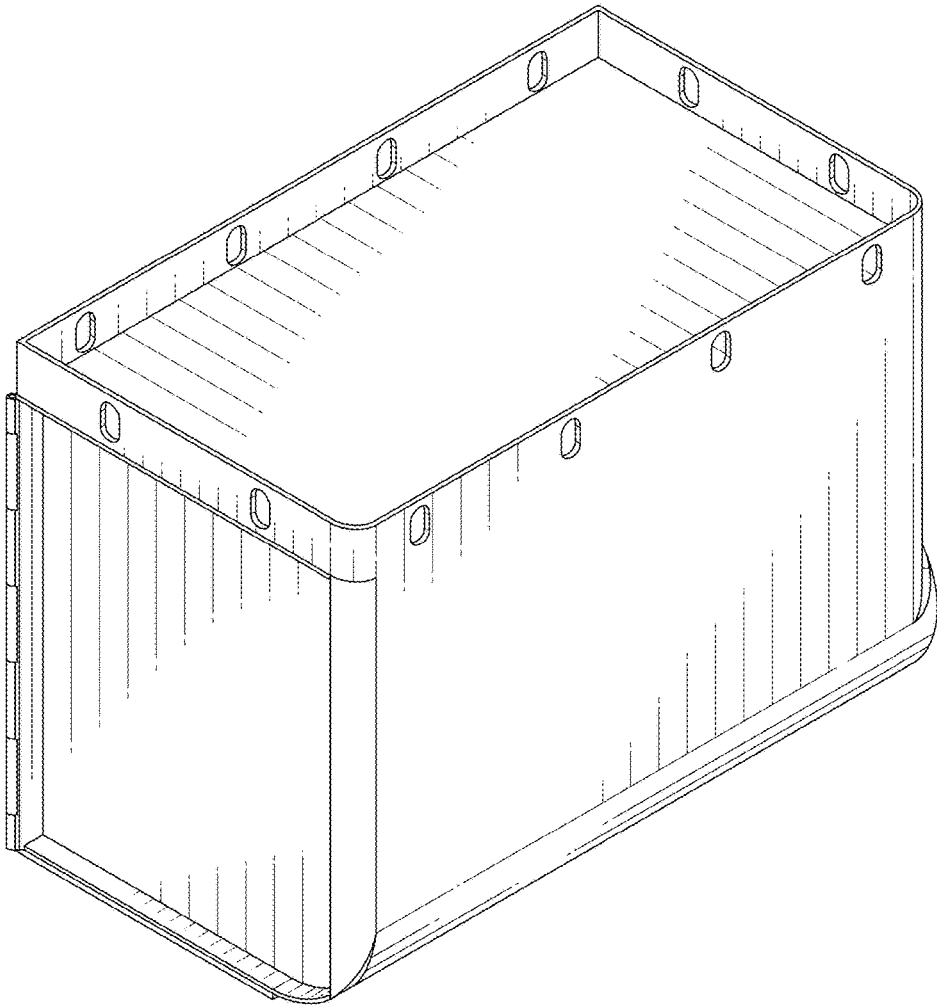
1.2 : front perspective view with opened access opening

1.3 : back perspective view

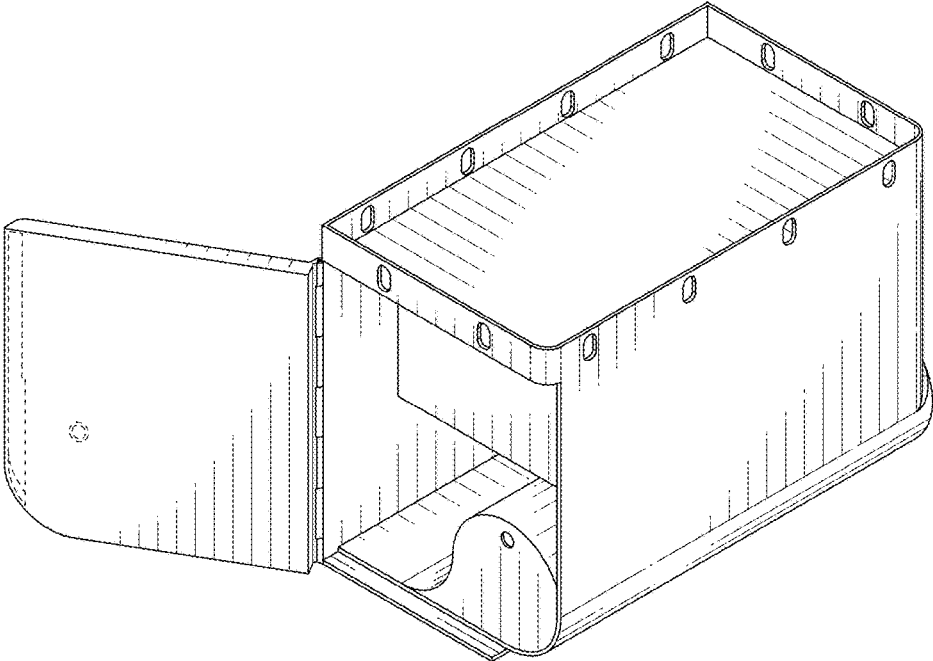
The broken line representation in view 1.2 is for the purpose of depicting portions of the holdall and form no part of the claim.

**1 Claim, 3 Drawing Sheets**

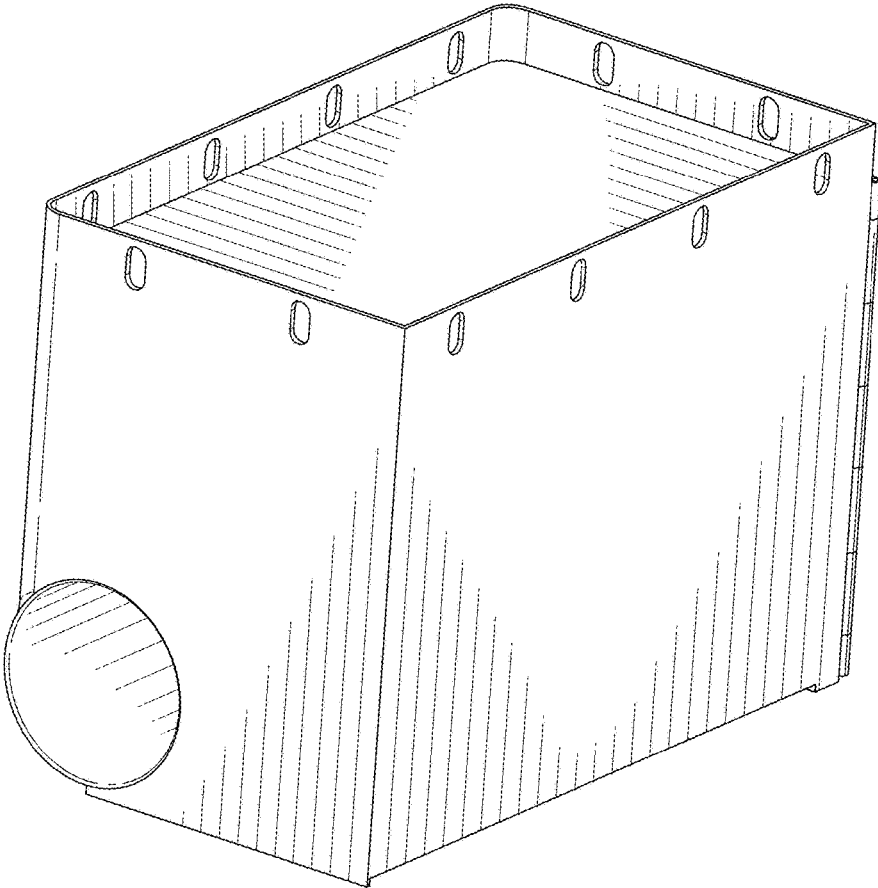




1.1



1.2



1.3