



US00D875692S

(12) **United States Design Patent**
Shi

(10) **Patent No.:** **US D875,692 S**

(45) **Date of Patent:** **** Feb. 18, 2020**

(54) **LED CONTROLLER**

(71) Applicant: **Jianjie Shi**, Puyang He'nan (CN)

(72) Inventor: **Jianjie Shi**, Puyang He'nan (CN)

(**) Term: **15 Years**

(21) Appl. No.: **29/708,825**

(22) Filed: **Oct. 9, 2019**

(51) **LOC (12) Cl.** **14-03**

(52) **U.S. Cl.**
USPC **D13/168**

(58) **Field of Classification Search**
USPC D13/168; D14/155, 205, 206, 218, 223,
D14/240; D21/333
CPC H03J 1/0025; H03J 9/00; H03J 9/02; H03J
9/04; H03J 9/06; H01H 9/0235; H04B
1/202; G05B 11/01; G08C 17/00; G08C
17/02; G08C 19/28; G08C 23/04; H04M
1/6058; H04R 1/1041
See application file for complete search history.

(56) **References Cited**

U.S. PATENT DOCUMENTS

D441,185 S *	5/2001	Shimizu	D13/168
D497,881 S *	11/2004	Rishar	D13/168
D512,968 S *	12/2005	Jiyang	D13/168
D638,806 S *	5/2011	Kim	D13/168
D671,091 S *	11/2012	Hauser	D14/155
D706,248 S *	6/2014	Myung	D14/240
D726,831 S *	4/2015	Lee	D13/168
D760,177 S *	6/2016	Gassner	D13/168
D781,272 S *	3/2017	Virhia	D14/240
D789,366 S *	6/2017	Jentz	D14/218
D818,971 S *	5/2018	Peng	D13/171
D830,979 S *	10/2018	Hung	D13/171
D840,954 S *	2/2019	Wu	
D856,941 S *	8/2019	Chen	D13/168

OTHER PUBLICATIONS

LED Light Strip Controller; before Oct. 9, 2019; 1 pg. <https://www.google.com/search?hl=en&biw=2048&bih=717&tbm=isch&sa=1>

&ei=ypr7XbXqO_K3ggftgq5w&q=Led+light+controller+before%3A2019-10-09&oq=Led+light+controller+before%3A2019-10-09&gs_l=img.3...58878.72627..73633...3.0..1.185.1423.22j1...2.0...1.gws-wiz-i.*

T-H-Marine LED Light Controller; before Oct. 9, 2019; 1 pg.; https://www.google.com/search?hl=en&biw=2048&bih=717&tbm=isch&sa=1&ei=ypr7XbXqO_K3ggftgq5w&q=Led+light+controller+before%3A2019-10-09&oq=Led+light+controller+before%3A2019-10-09&gs_l=img.3...58878.72627..73633...3.0..1.185.1423.22j1...2.0...1.gws.*

Cooler Master RGB LED Controller; before Oct. 9, 2019; 1 pg.; https://www.google.com/search?hl=en&biw=2048&bih=717&tbm=isch&sa=1&ei=Fpr7XY7AC62vggeivLvAAQ&q=COOLER+MASTER+TECHNOLOGY+Led+light+controller+before%3A2019-10-09&oq=COOLER+MASTER+TECHNOLOGY+Led+light+controller+before%3A2019-10-09&gs_l=img.12...24603.*

Fractal Design RGB Controller; before Oct. 9, 2019; 1 pg.; https://www.google.com/search?hl=en&biw=2048&bih=717&tbm=isch&sa=1&ei=uKP7XbDGNeY0ggfo64agAg&q=RGB+controller+before%3A2019-10-09&oq=RGB+controller+before%3A2019-10-09&gs_l=img.12...1294576.1295236..1317536...1.0..0.91.230.4.....0...1.gws-wiz-Img.Du.*

Wireless Bluetooth LED Strip Light Controller; before Dec. 19, 2019; 1pg.; https://www.google.com/search?hl=en&biw=2048&bih=717&tbm=isch&sa=1&ei=xq_7XbWyCqS3ggeVj4vC213w&q=RGB+light+controller&oq=RGB+light+controller&gs_l=img.3..0i67j0i8i30l4j0i24l3.132044.132044..135126...0.0..0.60.115.2.....0...1.gws-wiz-Img.*

* cited by examiner

Primary Examiner — Selina Sikder
(74) *Attorney, Agent, or Firm* — Justin Lampel

(57) **CLAIM**

An ornamental design for a LED controller, as shown in the drawings and described herein.

DESCRIPTION

FIG. 1 is a perspective view of a LED controller showing the claimed design;
FIG. 2 is a top plan view thereof;
FIG. 3 is a rear elevational view thereof;
FIG. 4 is a bottom plan view thereof;
FIG. 5 is a right side view thereof;

(Continued)

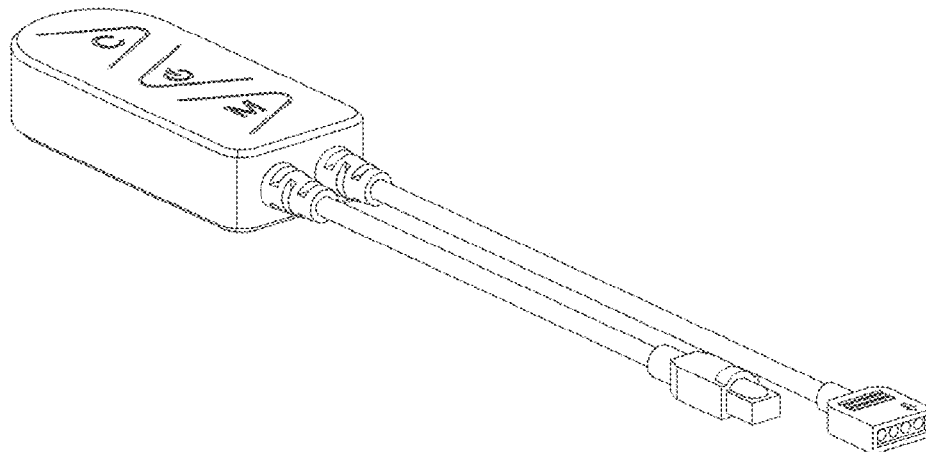


FIG. 6 is a front elevational view thereof; and,
FIG. 7 is a left side view thereof.

1 Claim, 7 Drawing Sheets

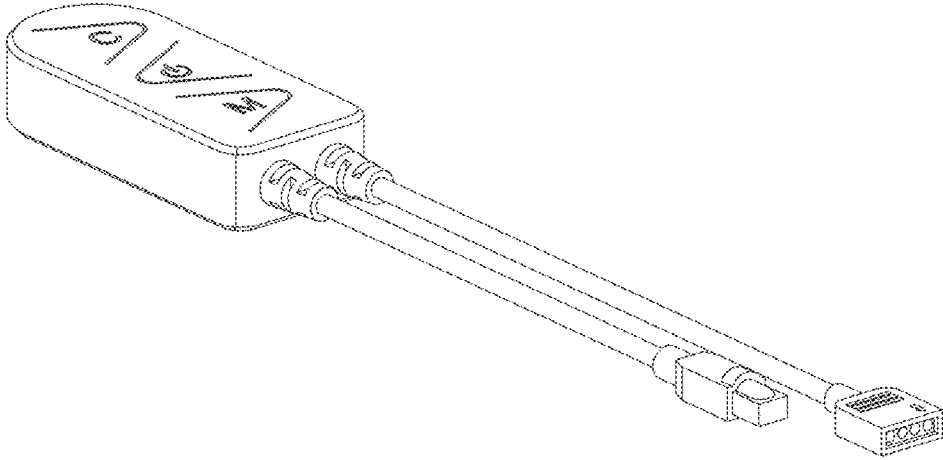


FIG.1

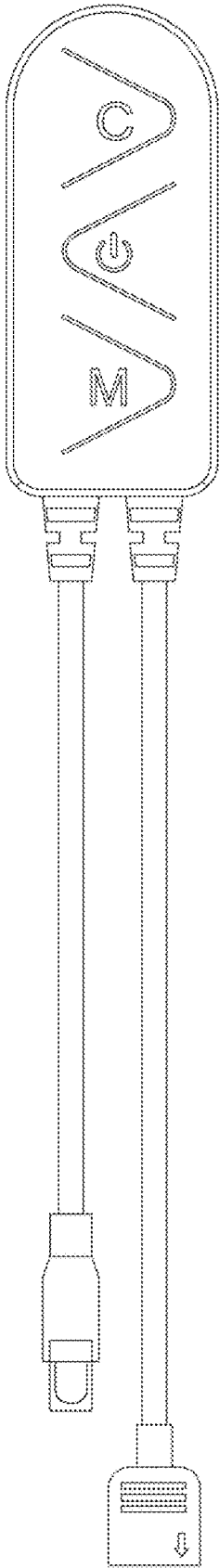


FIG.2



FIG.3

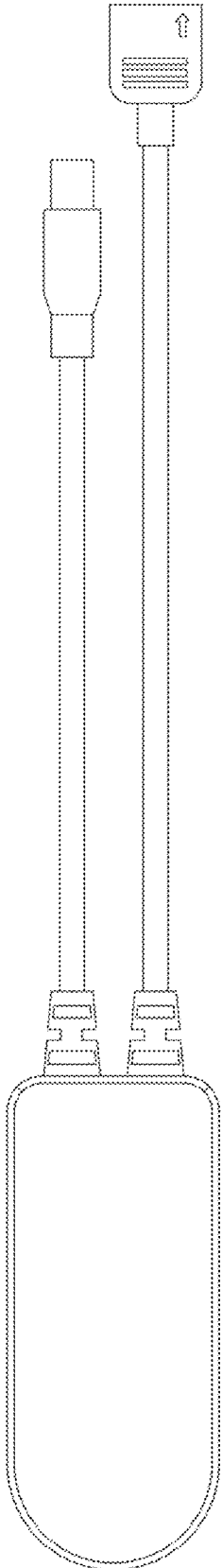


FIG.4

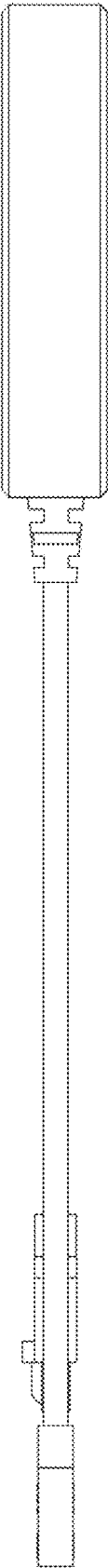


FIG.5

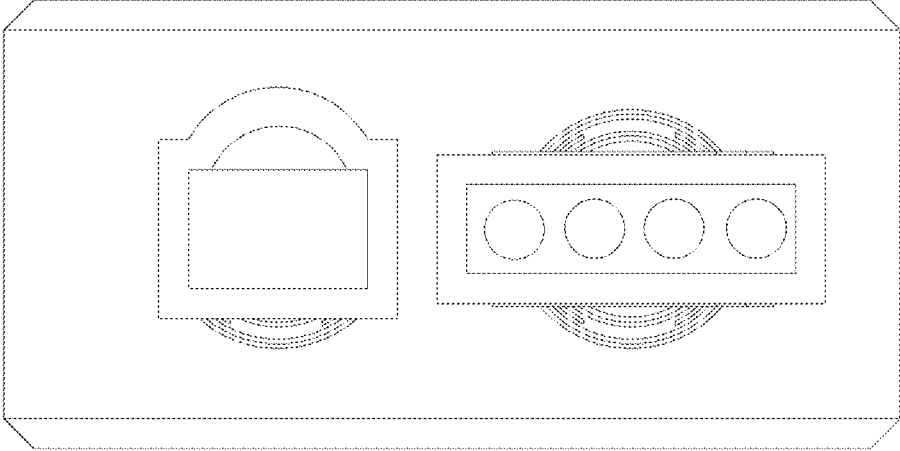


FIG. 6

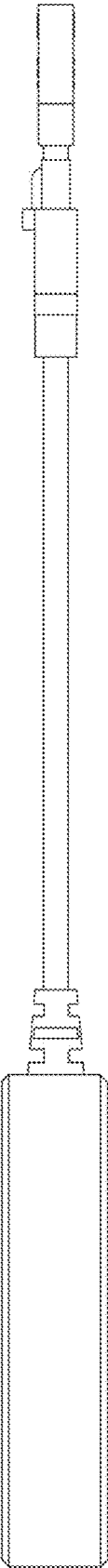


FIG.7