



(12) **United States Design Patent**
Arndt et al.

(10) **Patent No.:** **US D812,284 S**
(45) **Date of Patent:** **** Mar. 6, 2018**

(54) **LUMINAIRE**

(71) Applicant: **Oldenburg Group Incorporated,**
Milwaukee, WI (US)

(72) Inventors: **Michael A. Arndt,** Franklin, WI (US);
Scott Louis Nejedlo, Random Lake, WI
(US); **Jay M. Eissner,** Sheboygan, WI
(US)

(73) Assignee: **Oldenburg Group Incorporated,**
Milwaukee, WI (US)

(**) Term: **15 Years**

(21) Appl. No.: **29/596,489**

(22) Filed: **Mar. 8, 2017**

Related U.S. Application Data

(63) Continuation of application No. 29/559,644, filed on
Mar. 30, 2016, now Pat. No. Des. 783,197.

(51) **LOC (11) Cl.** **26-03**

(52) **U.S. Cl.**
USPC **D26/88; D26/90**

(58) **Field of Classification Search**
USPC D26/72, 80, 81, 84, 85, 86, 88, 90, 91,
D26/118, 138, 142

(Continued)

(56) **References Cited**

U.S. PATENT DOCUMENTS

D45,313 S 2/1914 Schoenhardt
D90,938 S 10/1933 Beck

(Continued)

OTHER PUBLICATIONS

“Meridian Square” pendant Model #CP5710 found at visalighting.
com visited Sep. 27, 2017. (6 pages).*

(Continued)

Primary Examiner — Clare E Heflin

(74) *Attorney, Agent, or Firm* — Michael Best &
Friedrich LLP

(57) **CLAIM**

We claim the ornamental design for a luminaire, as shown
and described.

DESCRIPTION

FIG. 1 is a perspective view of a luminaire showing a first
embodiment of the new design;

FIG. 2 is a front view of the luminaire shown in FIG. 1.

FIG. 3 is a rear view of the luminaire shown in FIG. 1.

FIG. 4 is a right side view of the luminaire shown in FIG.
1.

FIG. 5 is a left side view of the luminaire shown in FIG. 1.

FIG. 6 is a top view of the luminaire shown in FIG. 1.

FIG. 7 is a bottom view of the luminaire shown in FIG. 1.

FIG. 8 is a perspective view of a luminaire showing a second
embodiment of the new design;

FIG. 9 is a front view of the luminaire shown in FIG. 8.

FIG. 10 is a rear view of the luminaire shown in FIG. 8.

FIG. 11 is a right side view of the luminaire shown in FIG.
8.

FIG. 12 is a left side view of the luminaire shown in FIG. 8.

FIG. 13 is a top view of the luminaire shown in FIG. 8.

FIG. 14 is a bottom view of the luminaire shown in FIG. 8.

FIG. 15 is a perspective view of a luminaire showing a third
embodiment of the new design;

FIG. 16 is a front view of the luminaire shown in FIG. 15.

FIG. 17 is a rear view of the luminaire shown in FIG. 15.

FIG. 18 is a right side view of the luminaire shown in FIG.
15.

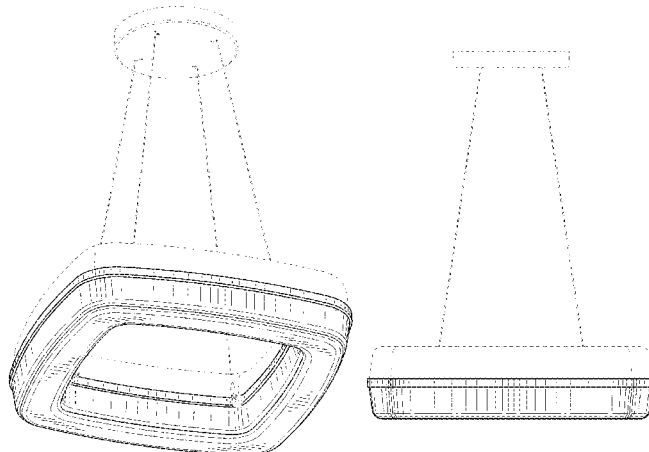
FIG. 19 is a left side view of the luminaire shown in FIG. 15.

FIG. 20 is a top view of the luminaire shown in FIG. 15; and,
FIG. 21 is a bottom view of the luminaire shown in FIG. 15.

The broken lines shown represent unclaimed subject matter
and form no part of the claimed design.

Any line in a drawing may provide a boundary line of a
claimed design element. Broken lines having unequal length
segments may be used to illustrate the boundary of the
claimed design and form no part of the claimed design. A
boundary line of a claimed design element may also be

(Continued)



defined in an area between lines in a drawing. An element or a subset of any combination of elements in a drawing may form a claimed design.

1 Claim, 15 Drawing Sheets

(58) **Field of Classification Search**

CPC F21S 8/043; F21S 8/046; F21S 8/06; F21S 8/061; F21S 8/063; F21S 8/065; F21S 8/066; F21S 8/068; F21V 21/008; F21V 21/02; F21V 21/03; F21V 21/112; F21V 21/38

See application file for complete search history.

(56)

References Cited

U.S. PATENT DOCUMENTS

D128,478 S 7/1941 Carter, Jr.
 D315,612 S 3/1991 Hughes
 D321,408 S 11/1991 Hughes
 D321,933 S 11/1991 Markwardt
 D477,104 S 7/2003 Wang
 D482,484 S 11/2003 Benghozi
 D482,485 S 11/2003 Benghozi
 D593,704 S 6/2009 Lovegrove

D596,338 S 7/2009 Sabemig
 D596,784 S * 7/2009 Silver D26/88
 D672,493 S 12/2012 Lee
 D698,983 S 2/2014 Rampolla
 D768,905 S 10/2016 Sonneman
 D768,906 S 10/2016 Sonneman
 D783,196 S * 4/2017 Arndt D26/90
 D783,197 S * 4/2017 Arndt D26/90
 2013/0329424 A1 * 12/2013 Clark F21S 8/061
 362/235
 2015/0285451 A1 10/2015 Luo et al.
 2015/0338038 A1 11/2015 Felt et al.

OTHER PUBLICATIONS

“P2432 Pendant”, Cammonlighting.com, 2016, <http://cammanlighting.com/fixtures/pendants/p2432-details>, 2 pages, Cammon Lighting, Derry, Pennsylvania.
 “Zenith Series”, Prulite.com, <http://www.prulite.com/series/zenith/>, 2 pages, Prudential LTG., Los Angeles, California.
 “Cylindro II Lux White LED with Opal Acrylic Diffuser”, [delraylighting.com](http://www.delraylighting.com/spec_pg_pdfs/cylindro2_lux.pdf), http://www.delraylighting.com/spec_pg_pdfs/cylindro2_lux.pdf, Feb. 2016, 2 pages, Delray Lighting Inc., Burbank, California.
 “Cylindro III Lux White LED with Opal Acrylic Diffuser”, http://www.delraylighting.com/spec_pg_pdfs/cylindro3_lux.pdf, Feb. 2016, 2 pages, Delray Lighting Inc., Burbank, California.

* cited by examiner

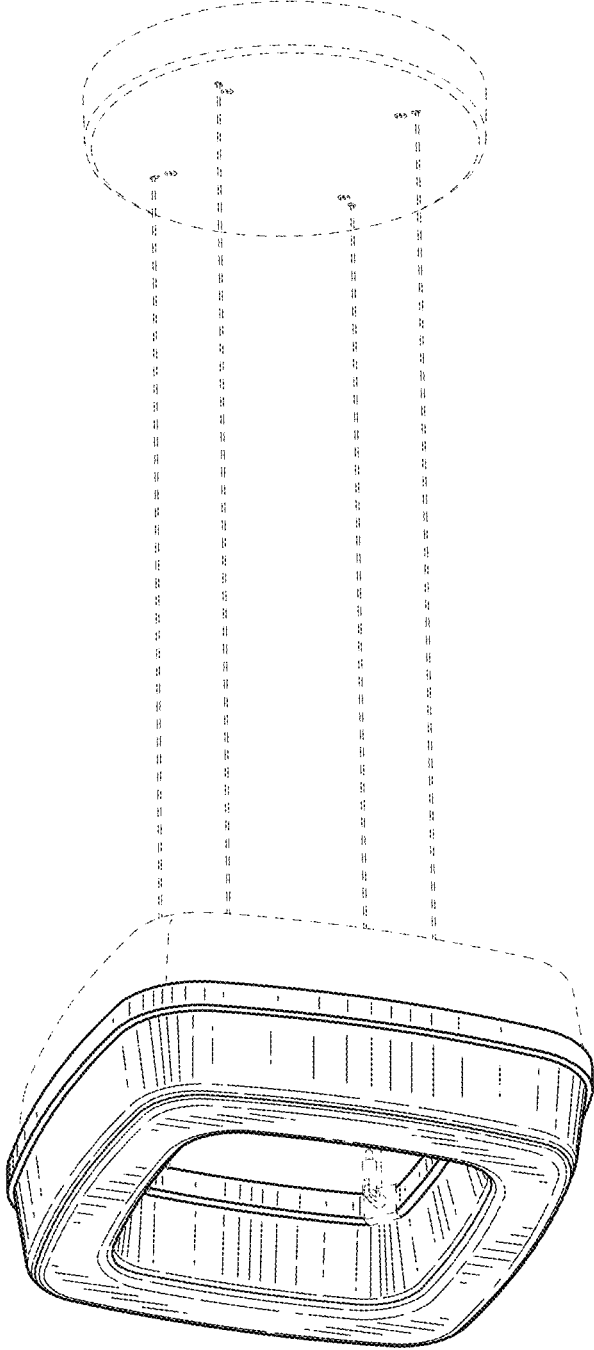


FIG. 1

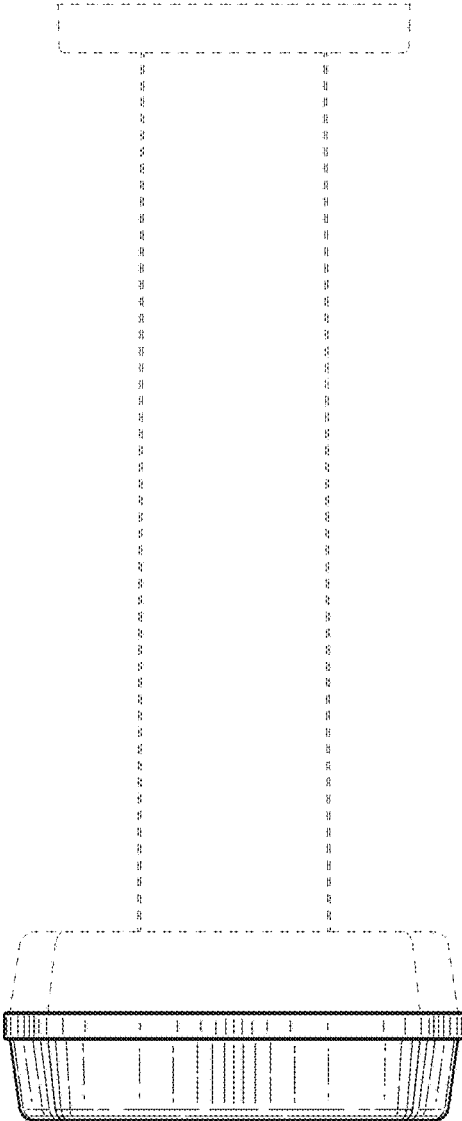


FIG. 2

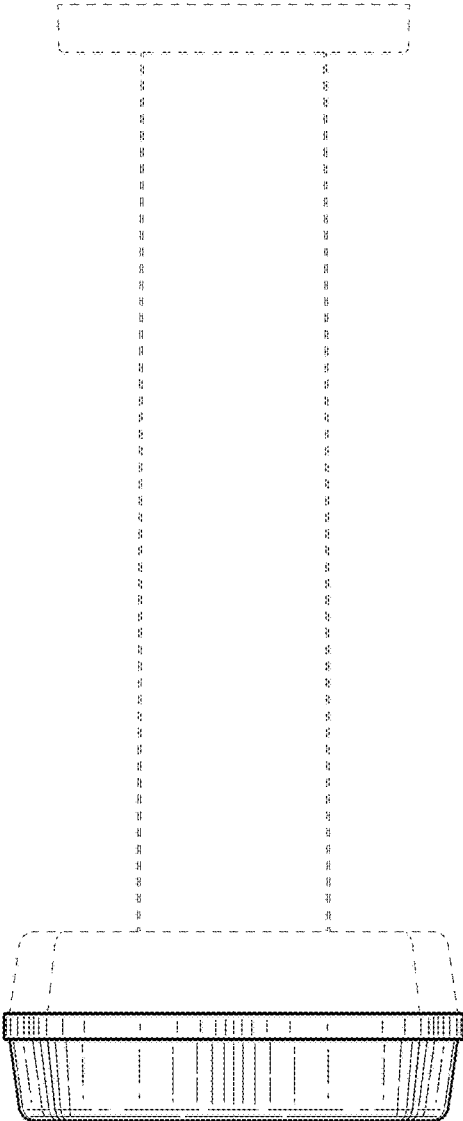


FIG. 3

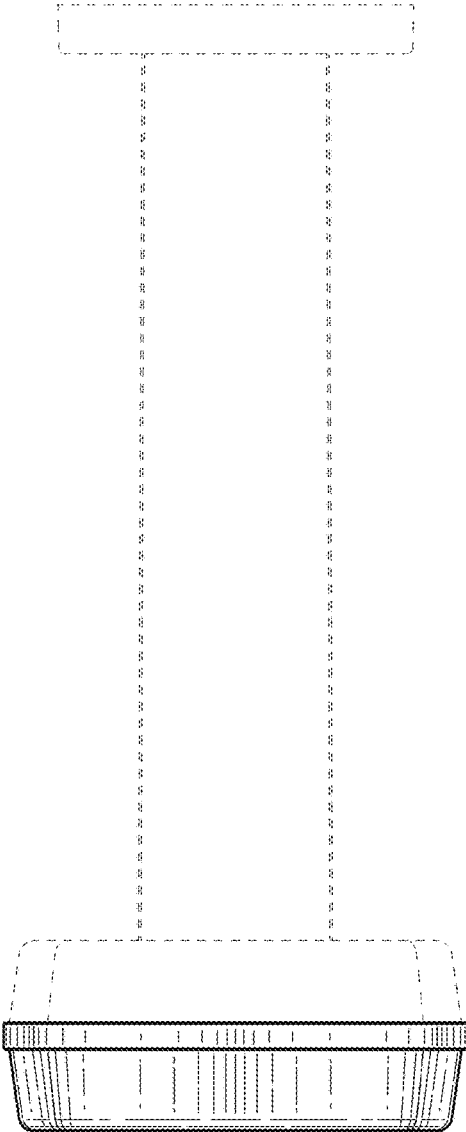


FIG. 4

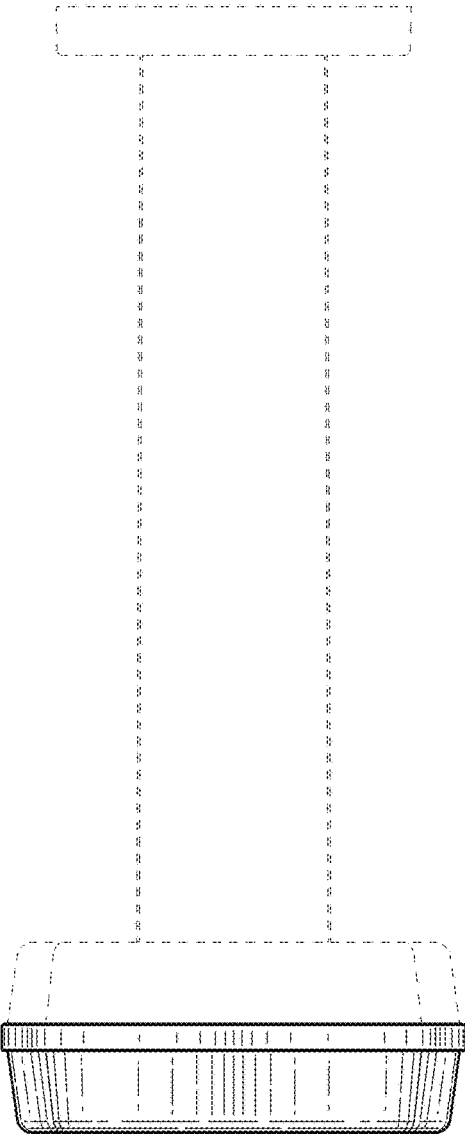


FIG. 5

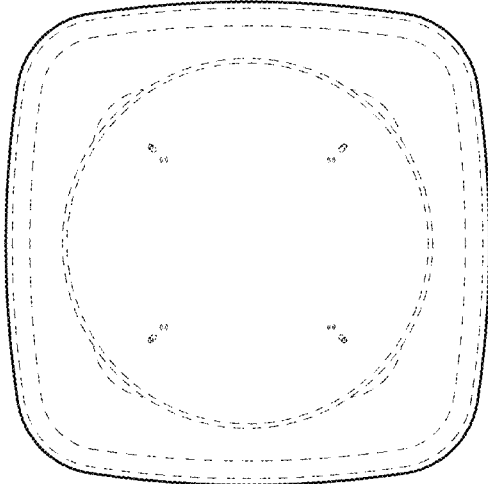


FIG. 6

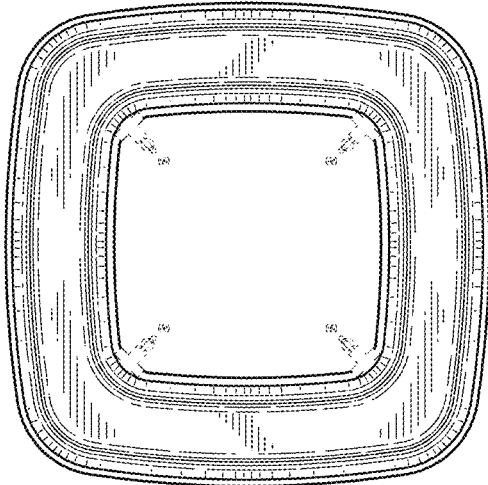


FIG. 7

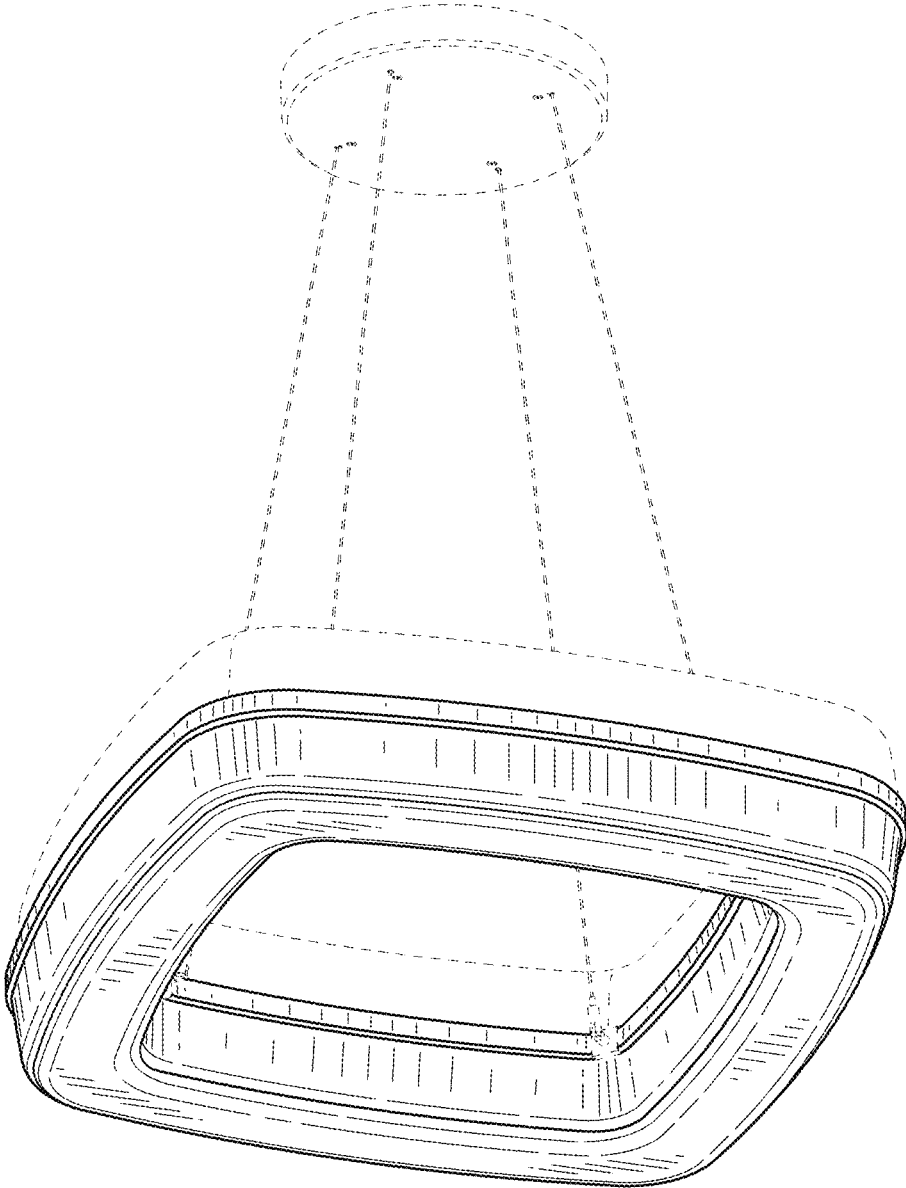


FIG. 8

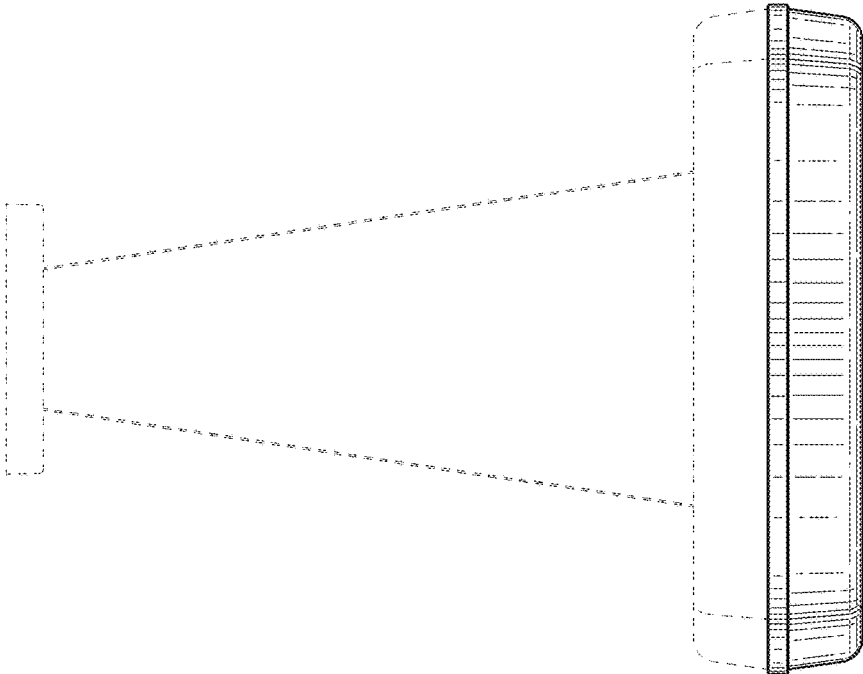


FIG. 10

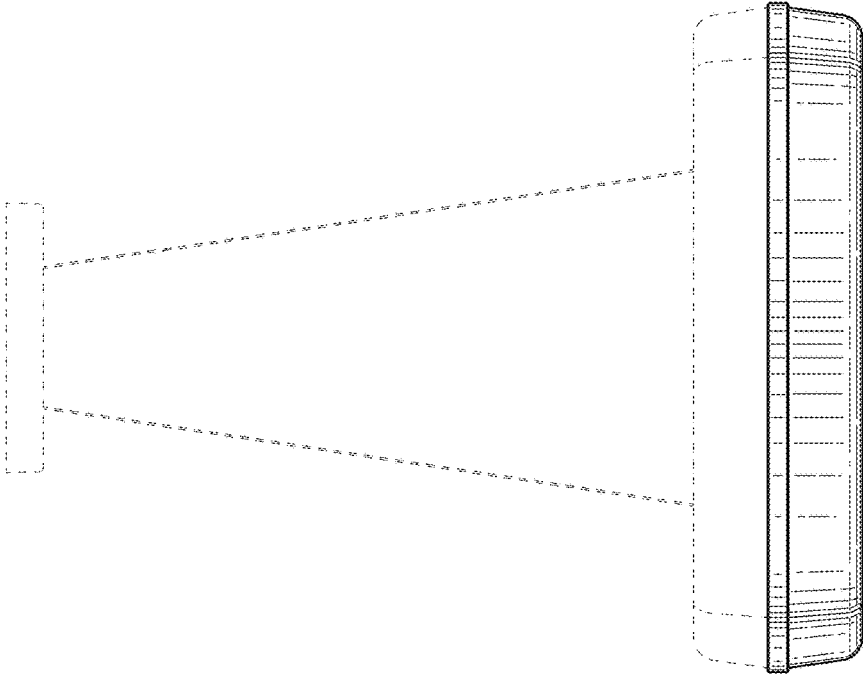


FIG. 9

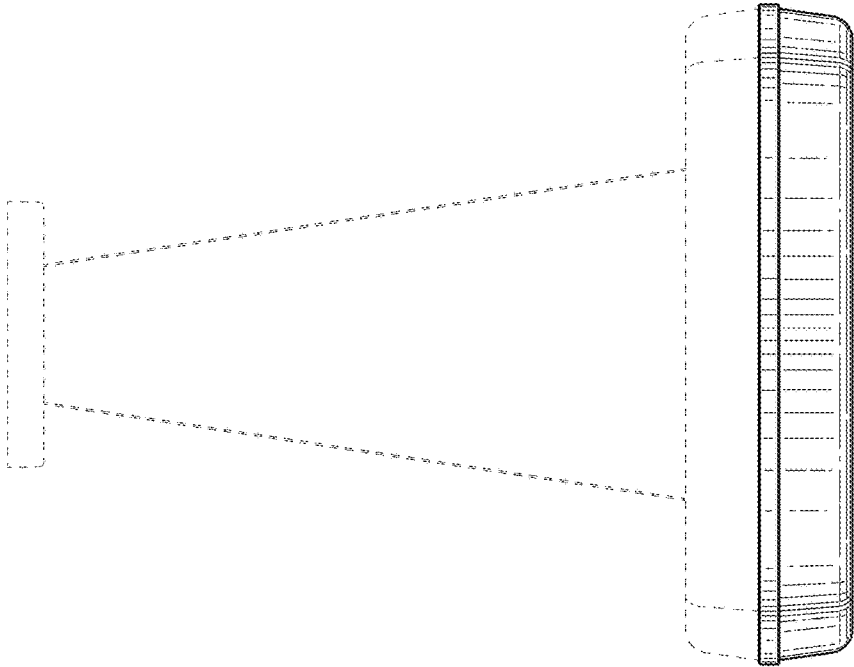


FIG. 12

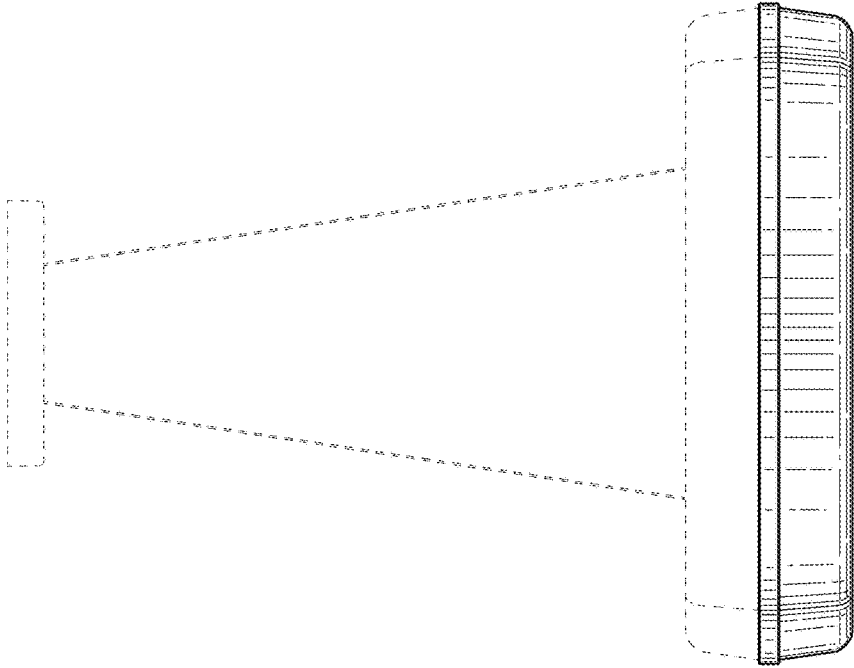


FIG. 11

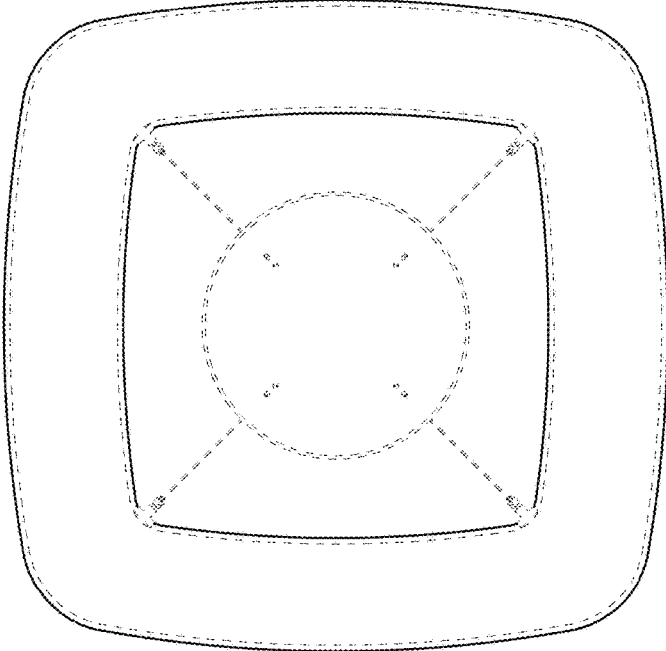


FIG. 13

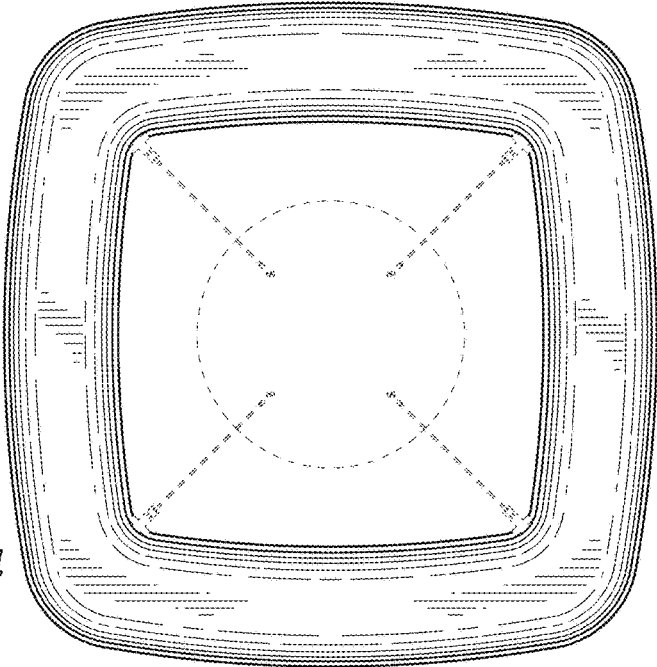


FIG. 14

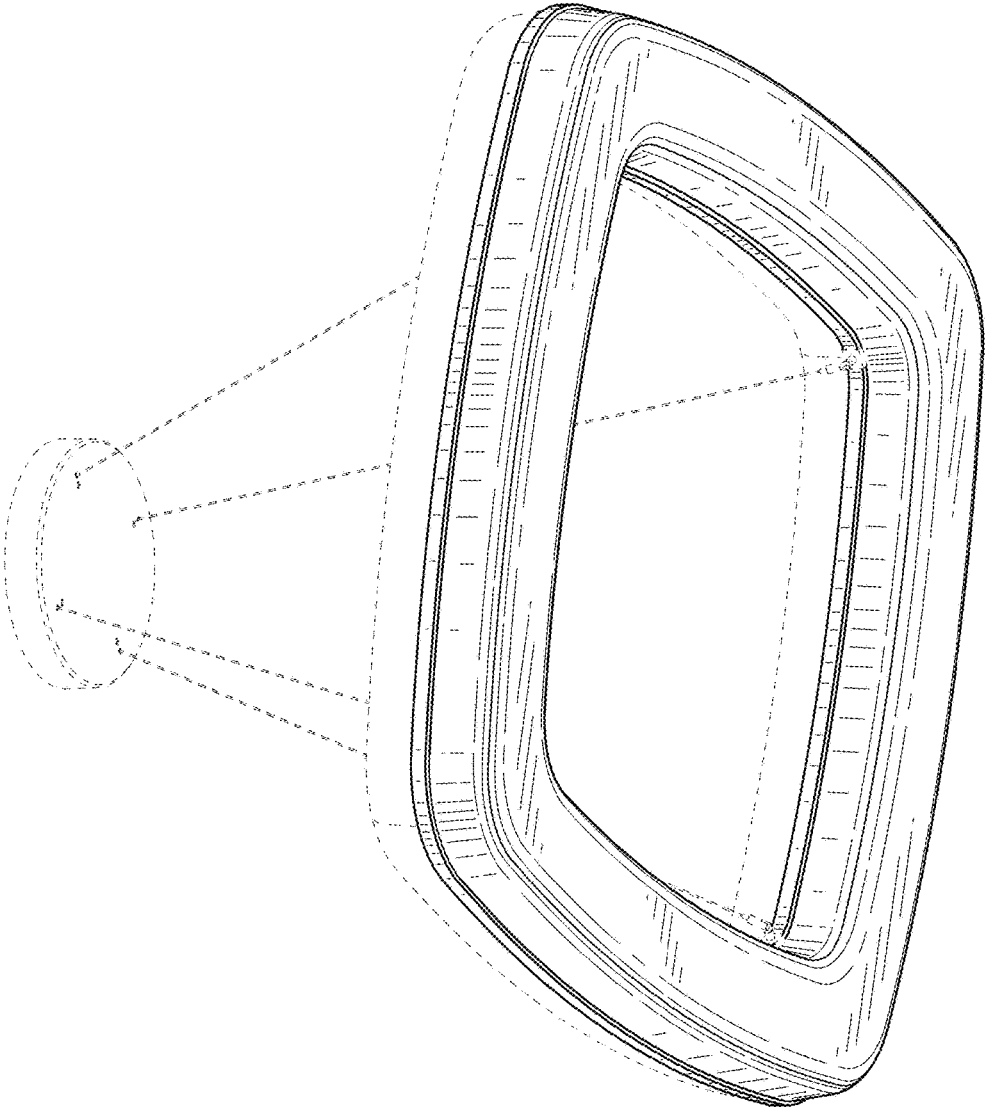


FIG. 15

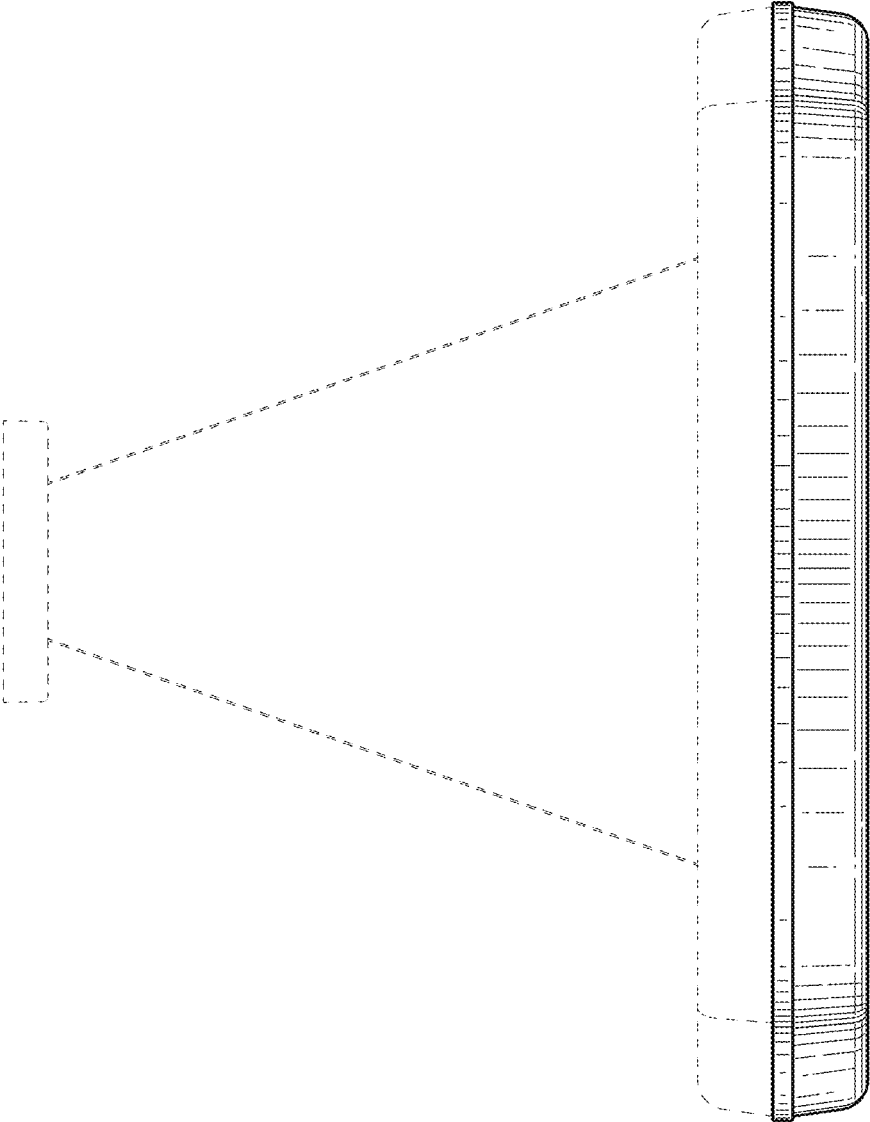


FIG. 16

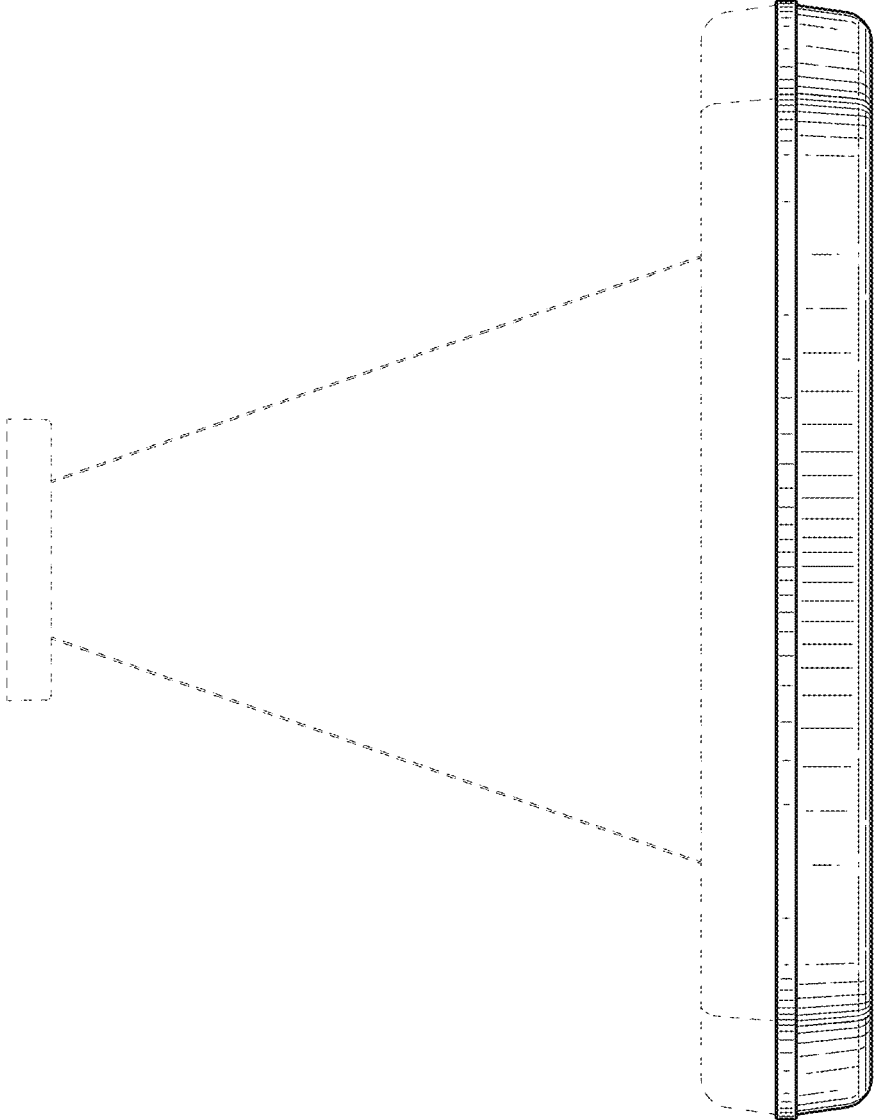


FIG. 17

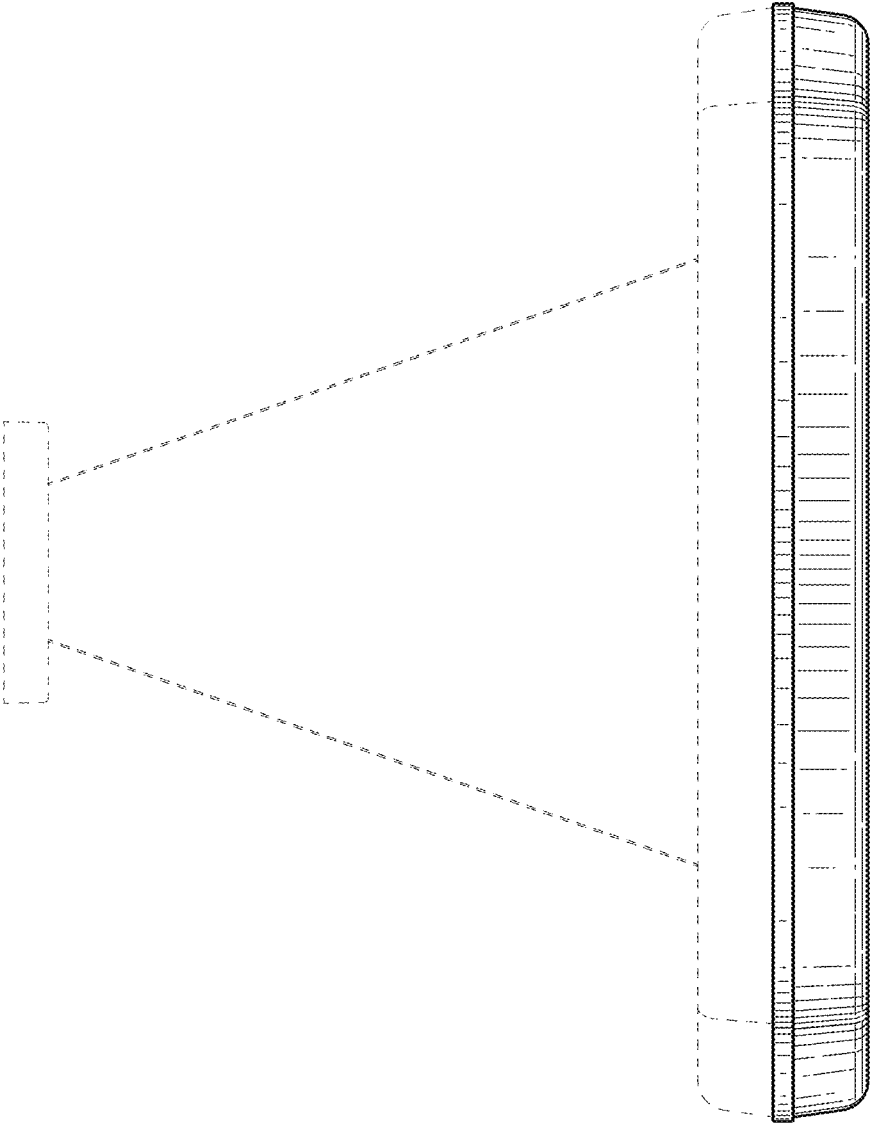


FIG. 18

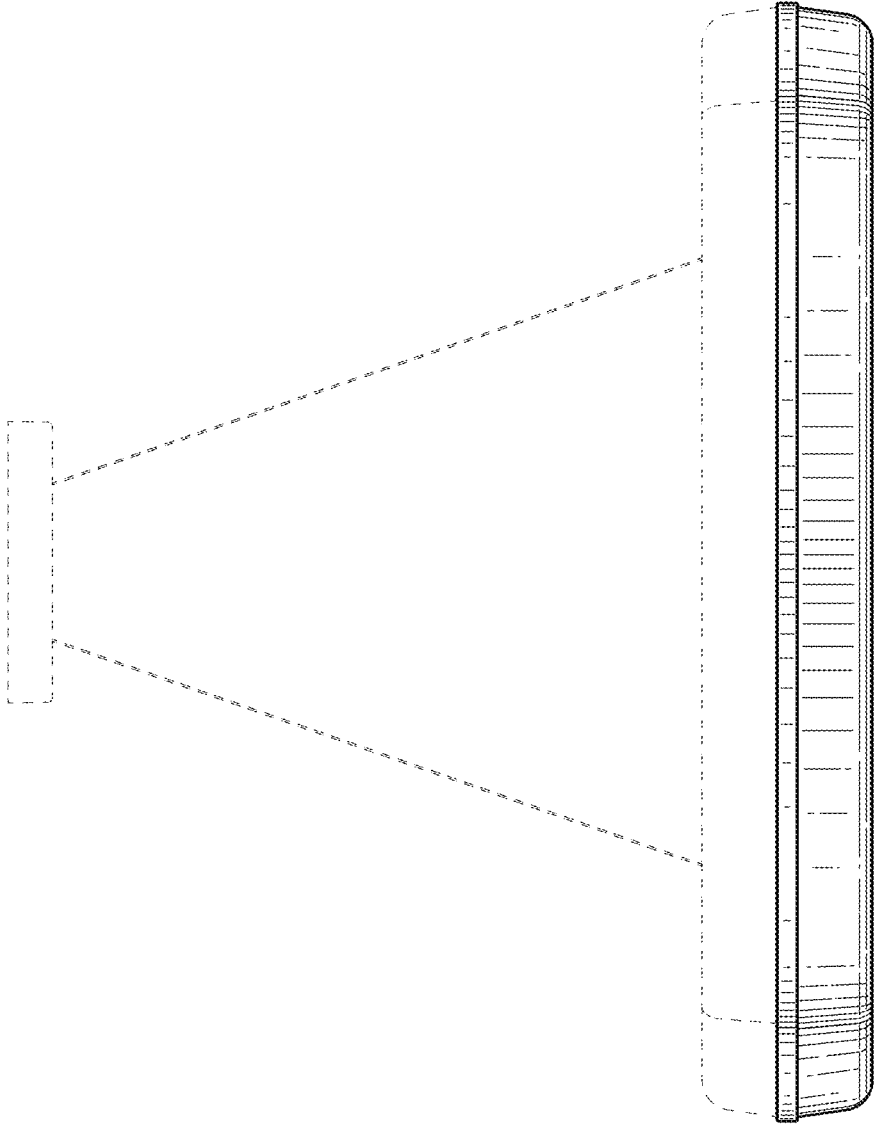


FIG. 19

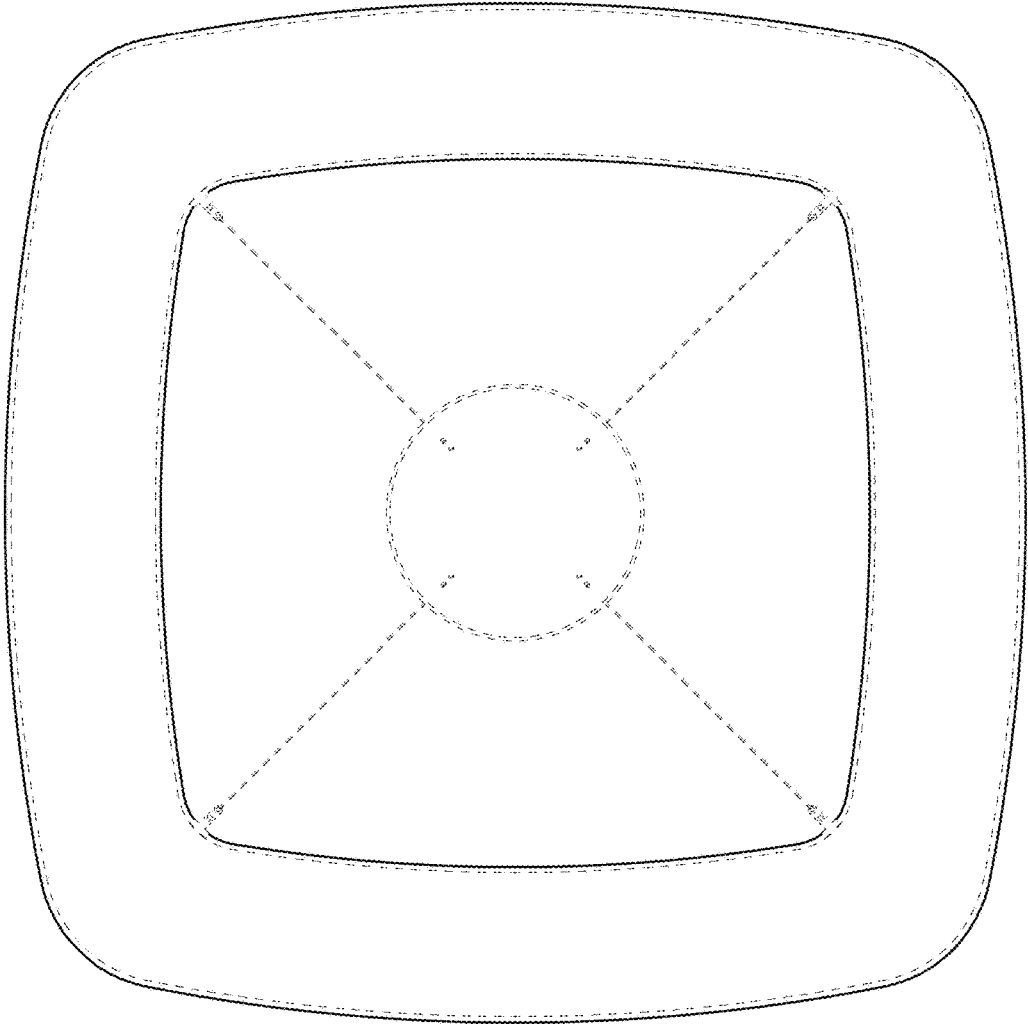


FIG. 20

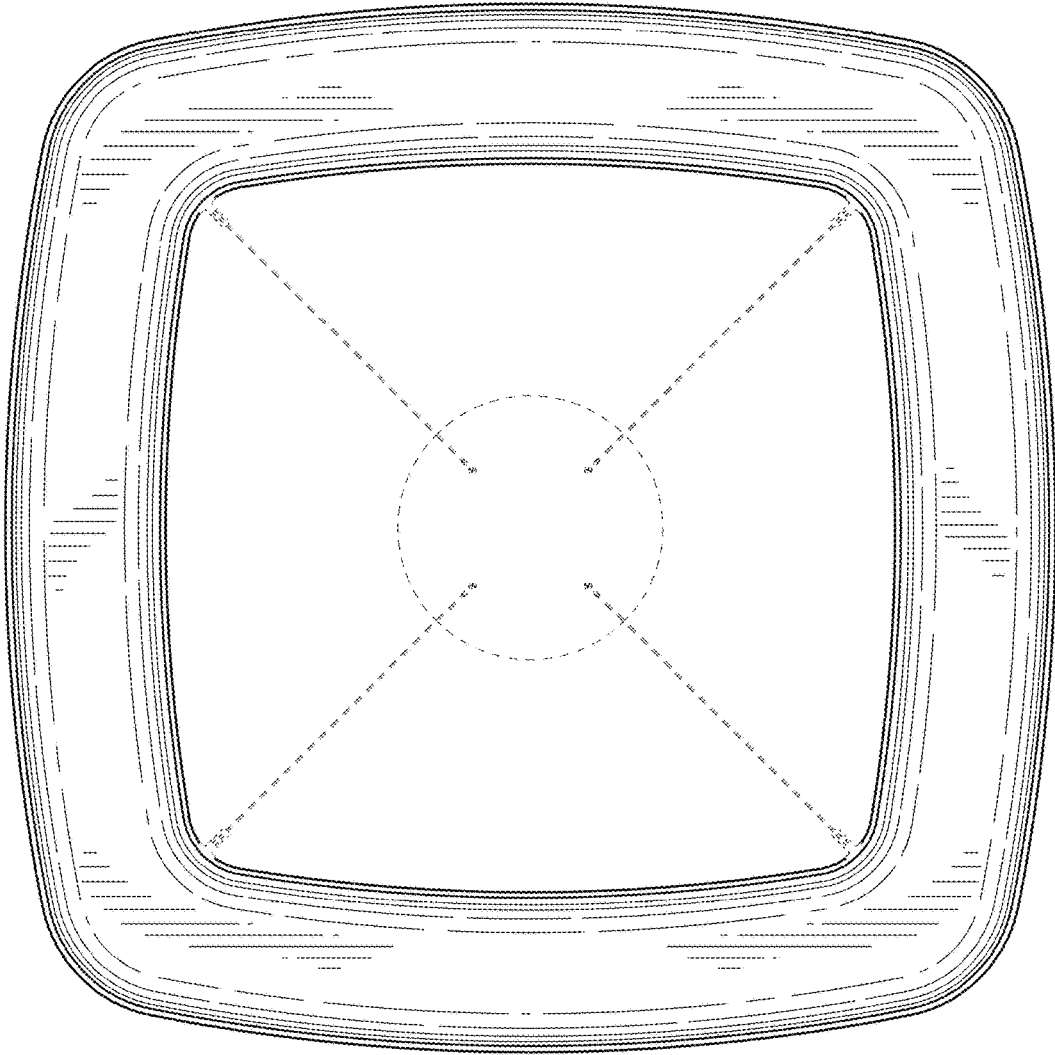


FIG. 21