

(19) World Intellectual Property Organization  
International Bureau



(43) International Publication Date  
11 March 2004 (11.03.2004)

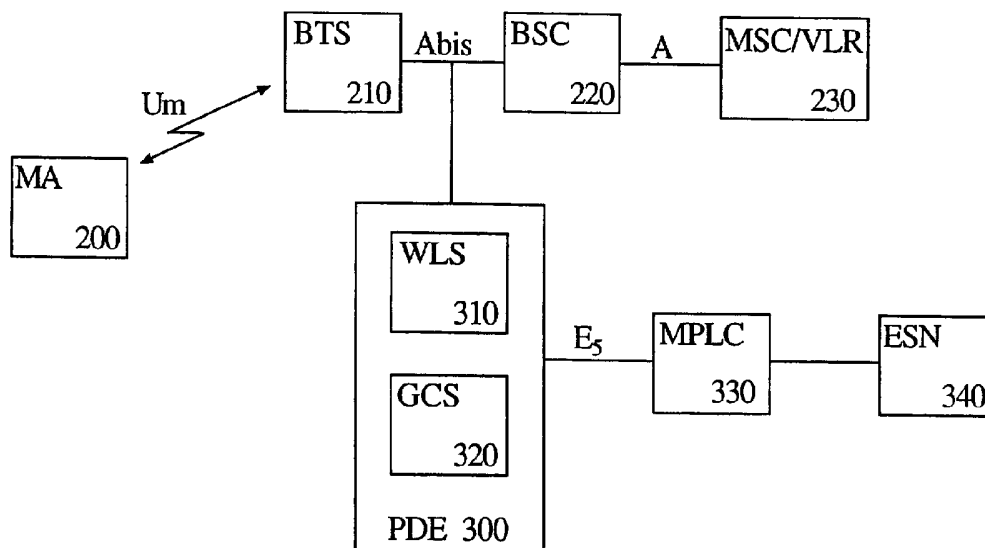
PCT

(10) International Publication Number  
WO 2004/021583 A3

- (51) International Patent Classification<sup>7</sup>: **H04Q 7/20**
  - (21) International Application Number: PCT/US2003/026972
  - (22) International Filing Date: 28 August 2003 (28.08.2003)
  - (25) Filing Language: English
  - (26) Publication Language: English
  - (30) Priority Data: 10/230,333 29 August 2002 (29.08.2002) US
  - (71) Applicant: ALLEN TELECOM, INC. [US/US]; 25101 Chagrin Boulevard, Beachwood, OH 44122-5687 (US).
  - (72) Inventors: KENNEDY, Joseph, P.; 11127 Elmview Place, Great Falls, VA 22066 (US). GRAVELY, Thomas, Booker; 11693 Hanna Overlook Court, Herndon, VA 20170 (US). BECK, Andrew; 21576 LeFevre Inn Drive, Ashburn, VA 20148 (US).
  - (74) Agent: McPHERSON, Patrick, D.; Duane Morris LLP, 1667 K Street, N.W., Suite 700, Washington, DC 20006 (US).
  - (81) Designated States (national): AE, AG, AL, AM, AT, AU, AZ, BA, BB, BG, BR, BY, BZ, CA, CH, CN, CO, CR, CU, CZ, DE, DK, DM, DZ, EC, EE, ES, FI, GB, GD, GE, GH, GM, HR, HU, ID, IL, IN, IS, JP, KE, KG, KP, KR, KZ, LC, LK, LR, LS, LT, LU, LV, MA, MD, MG, MK, MN, MW, MX, MZ, NI, NO, NZ, OM, PG, PH, PL, PT, RO, RU, SC, SD, SE, SG, SK, SL, SY, TJ, TM, TN, TR, TT, TZ, UA, UG, UZ, VC, VN, YU, ZA, ZM, ZW.
  - (84) Designated States (regional): ARIPO patent (GH, GM, KE, LS, MW, MZ, SD, SL, SZ, TZ, UG, ZM, ZW), Eurasian patent (AM, AZ, BY, KG, KZ, MD, RU, TJ, TM), European patent (AT, BE, BG, CH, CY, CZ, DE, DK, EE, ES, FI, FR, GB, GR, HU, IE, IT, LU, MC, NL, PT, RO, SE, SI, SK, TR), OAPI patent (BF, BJ, CF, CG, CI, CM, GA, GN, GQ, GW, ML, MR, NE, SN, TD, TG).
- Published:**  
— with international search report

[Continued on next page]

(54) Title: TASKING AND REPORTING METHOD AND IMPLEMENTATION FOR WIRELESS APPLIANCE LOCATION SYSTEMS



(57) Abstract: A system and method for determining the location of a mobile appliance where the tasking of the system to determine the location of the mobile appliance utilizes a first communications protocol standard and the reporting of the location of the mobile appliance utilizes a second communications protocol standard, where the first and second communication protocol standards are not the same and can include any of the commonly used communication protocol standards including TIA defined standards, ETSI standards, and SMR/ESMR defined standards.

WO 2004/021583 A3



— *before the expiration of the time limit for amending the claims and to be republished in the event of receipt of amendments*

*For two-letter codes and other abbreviations, refer to the "Guidance Notes on Codes and Abbreviations" appearing at the beginning of each regular issue of the PCT Gazette.*

**(88) Date of publication of the international search report:**  
17 March 2005

INTERNATIONAL SEARCH REPORT

International application No.  
PCT/US03/26972

A. CLASSIFICATION OF SUBJECT MATTER  
 IPC(7) : H04Q 7/20  
 US CL : 455/456.1, 456.5, 456.2  
 According to International Patent Classification (IPC) or to both national classification and IPC

B. FIELDS SEARCHED  
 Minimum documentation searched (classification system followed by classification symbols)  
 U.S. : 455/456.1, 456.5, 456.2, 404.1, 404.2, 457, 426.1, 448, 454, 552.1, 432.1-433, 435.1-435.2

Documentation searched other than minimum documentation to the extent that such documents are included in the fields searched

Electronic data base consulted during the international search (name of data base and, where practicable, search terms used)  
 Please See Continuation Sheet

C. DOCUMENTS CONSIDERED TO BE RELEVANT

Category *	Citation of document, with indication, where appropriate, of the relevant passages	Relevant to claim No.
Y	US 6,191,738 B1 (PFEIL et al.) 20 February 2001, figs. 1 and 4-7; col. 3, line 4 to col. 4, line 67.	1-25
Y,P	US 6,603,761 B1 (WANG et al.) 05 August 2003, figs. 1-4; col. 4, lines 5-37.	1-25
A,E	US 6,640,106 B2 (GUTOWSKI et al) 28 October 2003, see entire document.	1-25
A,P	US 6,571,082 B1 (RAHMAN et al.) 27 May 2003, see entire document.	1-25

Further documents are listed in the continuation of Box C.  See patent family annex.

* Special categories of cited documents:	
"A" document defining the general state of the art which is not considered to be of particular relevance	"T" later document published after the international filing date or priority date and not in conflict with the application but cited to understand the principle or theory underlying the invention
"E" earlier application or patent published on or after the international filing date	"X" document of particular relevance; the claimed invention cannot be considered novel or cannot be considered to involve an inventive step when the document is taken alone
"L" document which may throw doubts on priority claim(s) or which is cited to establish the publication date of another citation or other special reason (as specified)	"Y" document of particular relevance; the claimed invention cannot be considered to involve an inventive step when the document is combined with one or more other such documents, such combination being obvious to a person skilled in the art
"O" document referring to an oral disclosure, use, exhibition or other means	"&" document member of the same patent family
"P" document published prior to the international filing date but later than the priority date claimed	

Date of the actual completion of the international search: 05 January 2005 (05.01.2005)  
 Date of mailing of the international search report: 21 JAN 2005

Name and mailing address of the ISA/US: Mail Stop PCT, Attn: ISA/US, Commissioner for Patents, P.O. Box 1450, Alexandria, Virginia 22313-1450, Facsimile No. (703) 305-3230  
 Authorized officer: Kenneth Wieder, Telephone No. 703-305-4790  
*Rugenia Zogian*

**INTERNATIONAL SEARCH REPORT**

International application No.  
PCT/US03/26972

Continuation of B. FIELDS SEARCHED Item 3:  
USPAT  
report near location with foreign with network