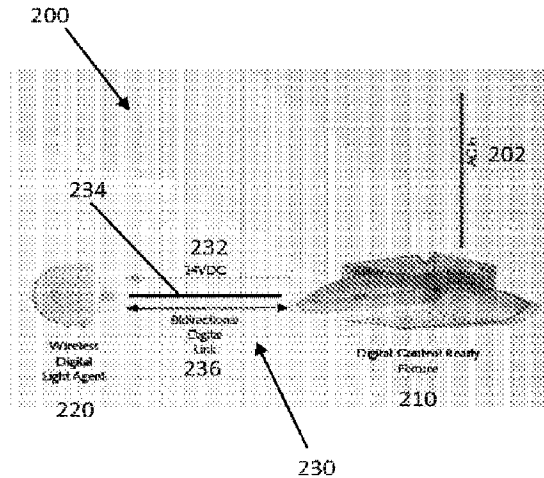




(86) **Date de dépôt PCT/PCT Filing Date:** 2013/03/14
 (87) **Date publication PCT/PCT Publication Date:** 2013/09/26
 (45) **Date de délivrance/Issue Date:** 2023/02/14
 (85) **Entrée phase nationale/National Entry:** 2014/09/18
 (86) **N° demande PCT/PCT Application No.:** US 2013/031790
 (87) **N° publication PCT/PCT Publication No.:** 2013/142292
 (30) **Priorités/Priorities:** 2012/03/19 (US61/612,580);
 2012/09/06 (US61/697,635); 2013/02/08 (US61/762,592)

(51) **Cl.Int./Int.Cl. H05B 47/175** (2020.01),
H05B 45/20 (2020.01), **H05B 45/37** (2020.01),
H05B 47/105 (2020.01), **H05B 47/18** (2020.01),
H05B 47/19 (2020.01)
 (72) **Inventeurs/Inventors:**
 CHEMEL, BRIAN, US;
 MORGAN, FREDERICK M., US
 (73) **Propriétaire/Owner:**
 OSRAM SYLVANIA INC., US
 (74) **Agent:** SMART & BIGGAR LP

(54) **Titre : PROCÉDES, SYSTEMES ET APPAREIL POUR FOURNIR UN ECLAIRAGE VARIABLE**
 (54) **Title: METHODS, SYSTEMS, AND APPARATUS FOR PROVIDING VARIABLE ILLUMINATION**



(57) **Abrégé/Abstract:**

Digital Control Ready (DCR) is a two-way open standard for controlling and managing next-generation fixtures. A DCR-enabled lighting fixture responds to digital control signals from a separate digital light agent (DLA) instead of analog dimming signals, eliminating the need for digital-to-analog signal conditioning, fixture-to-fixture variations in response, and calibration specific to each fixture. In addition, a DCR-enabled lighting fixture may also report its power consumption, measured light output, measured color temperature, temperature, and/or other operating parameters to the DLA via the same bidirectional data link that carries the digital control signals to the fixture. The DLA processes these signals in a feedback loop to implement more precise lighting control. The DCR-enabled lighting fixture also transforms AC power to DC power and supplies (and measures) DC power to the DLA via a DCR interface. These features enable intelligent, networked DCR lighting systems to operate with lower power (energy) consumption, greater flexibility, and simpler installation than other intelligent lighting networks.

(12) INTERNATIONAL APPLICATION PUBLISHED UNDER THE PATENT COOPERATION TREATY (PCT)

(19) World Intellectual Property Organization
International Bureau



(10) International Publication Number
WO 2013/142292 A1

(43) International Publication Date
26 September 2013 (26.09.2013)

- (51) International Patent Classification:
H05B 37/02 (2006.01)
- (21) International Application Number:
PCT/US2013/031790
- (22) International Filing Date:
14 March 2013 (14.03.2013)
- (25) Filing Language: English
- (26) Publication Language: English
- (30) Priority Data:
61/612,580 19 March 2012 (19.03.2012) US
61/697,635 6 September 2012 (06.09.2012) US
61/762,592 8 February 2013 (08.02.2013) US
- (71) Applicant: **DIGITAL LUMENS INCORPORATED**
[US/US]; 374 Congress Street, 6th Floor, Boston, MA 02210 (US).
- (72) Inventor: **CHEMEL, Brian**; 24 Thompson Road, Marblehead, MA 01945 (US).

AO, AT, AU, AZ, BA, BB, BG, BH, BN, BR, BW, BY, BZ, CA, CH, CL, CN, CO, CR, CU, CZ, DE, DK, DM, DO, DZ, EC, EE, EG, ES, FI, GB, GD, GE, GH, GM, GT, HN, HR, HU, ID, IL, IN, IS, JP, KE, KG, KM, KN, KP, KR, KZ, LA, LC, LK, LR, LS, LT, LU, LY, MA, MD, ME, MG, MK, MN, MW, MX, MY, MZ, NA, NG, NI, NO, NZ, OM, PA, PE, PG, PH, PL, PT, QA, RO, RS, RU, RW, SC, SD, SE, SG, SK, SL, SM, ST, SV, SY, TH, TJ, TM, TN, TR, TT, TZ, UA, UG, US, UZ, VC, VN, ZA, ZM, ZW.

(84) Designated States (unless otherwise indicated, for every kind of regional protection available): ARIPO (BW, GH, GM, KE, LR, LS, MW, MZ, NA, RW, SD, SL, SZ, TZ, UG, ZM, ZW), Eurasian (AM, AZ, BY, KG, KZ, RU, TJ, TM), European (AL, AT, BE, BG, CH, CY, CZ, DE, DK, EE, ES, FI, FR, GB, GR, HR, HU, IE, IS, IT, LT, LU, LV, MC, MK, MT, NL, NO, PL, PT, RO, RS, SE, SI, SK, SM, TR), OAPI (BF, BJ, CF, CG, CI, CM, GA, GN, GQ, GW, ML, MR, NE, SN, TD, TG).

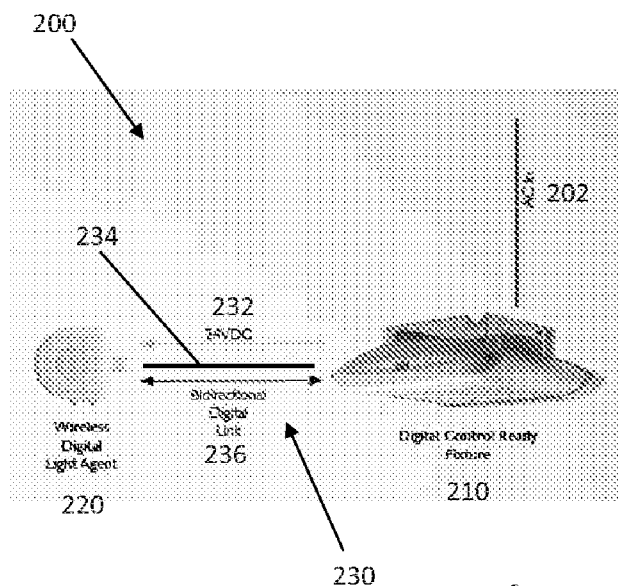
Declarations under Rule 4.17:

- as to applicant's entitlement to apply for and be granted a patent (Rule 4.17(ii))
- as to the applicant's entitlement to claim the priority of the earlier application (Rule 4.17(iii))

- (74) Agents: **COLICE, Christopher, Max** et al.; Foley & Lardner LLP, 3000 K Street NW, Suite 600, Washington, DC 20007 (US).
- (81) Designated States (unless otherwise indicated, for every kind of national protection available): AE, AG, AL, AM,

[Continued on next page]

(54) Title: METHODS, SYSTEMS, AND APPARATUS FOR PROVIDING VARIABLE ILLUMINATION



(57) Abstract: Digital Control Ready (DCR) is a two-way open standard for controlling and managing next-generation fixtures. A DCR-enabled lighting fixture responds to digital control signals from a separate digital light agent (DLA) instead of analog dimming signals, eliminating the need for digital-to-analog signal conditioning, fixture-to-fixture variations in response, and calibration specific to each fixture. In addition, a DCR-enabled lighting fixture may also report its power consumption, measured light output, measured color temperature, temperature, and/or other operating parameters to the DLA via the same bidirectional data link that carries the digital control signals to the fixture. The DLA processes these signals in a feedback loop to implement more precise lighting control. The DCR-enabled lighting fixture also transforms AC power to DC power and supplies (and measures) DC power to the DLA via a DCR interface. These features enable intelligent, networked DCR lighting systems operate with lower power (energy) consumption, greater flexibility, and simpler installation than other intelligent lighting networks.

WO 2013/142292 A1

WO 2013/142292 A1 

Published:

— *with international search report (Art. 21(3))*

METHODS, SYSTEMS, AND APPARATUS FOR PROVIDING VARIABLE ILLUMINATION

[0001]

[0002]

[0003]

BACKGROUND

[0004] Intelligent lighting systems combine solid-state light sources, embedded sensors and controls, and low-cost pervasive networking to create an integrated illumination system which is highly responsive to its environment. Benefits of some or all such systems may include, but are not limited to, a much higher quality of light tailored specifically to user needs and significant energy savings compared to legacy lighting system technologies.

SUMMARY

[0005] Embodiments of the present invention include a system for providing variable illumination to an environment. In one embodiment, the system includes at least one digital

control ready (DCR) lighting fixture, disposed in a first location of the environment, to provide the variable illumination to at least a portion of the environment, and at least one digital light agent (DLA), disposed in a second location of the environment and operably coupled to the at least one DCR lighting fixture, to control the at least one DCR lighting fixture in response to at least one change in the environment.

[0006] In at least one embodiment, the DCR lighting fixture comprises a fixture housing that contains and/or supports at least one light source (e.g., one or more light-emitting diodes (LEDs)), at least one light source driver, an alternating current (AC) power input, a power converter, a power meter, and a fixture input/output bus. In operation, the light source generates the variable illumination in response to the digital control signal from the DLA. The light source driver, which is operably coupled to the light source, powers the light source according to the digital control signal, using AC power from the AC power input, which is operably coupled to the light source driver and the power converter. The power converter converts the AC power to direct current (DC) power at a voltage of less than or equal to +60 V (e.g., +40 VDC, +24 VDC, or +12VDC) for powering the DLA. The power meter, which may be coupled to the light source driver, the AC power input, and/or the power converter, measures the DCR lighting fixture's power consumption. And the fixture input/output bus, which is operably coupled to the light source, the power converter, and the power meter, receives the digital control signal from the DLA and provides at least one digital reporting signal representative of the DCR lighting fixture's power consumption and/or light output to the DLA. For instance, this digital reporting signal may include information about the DCR lighting fixture's power consumption, energy consumption, AC power quality, color temperature, light intensity, and/or temperature. The fixture input/output bus also provides DC power to the DLA.

[0007] In certain embodiments, the DLA includes a DLA housing that holds and/or supports at least one sensor (e.g., an occupancy sensor, a temperature sensor, an ambient light level sensor, and a clock), a memory, a processor, a DLA input/output bus, and a network interface (e.g., an antenna). In operation, the sensor provides at least one sensor signal representative of change(s) in the environment, such as changes in occupancy, ambient light level, temperature, time, etc.

The memory stores at least one rule governing a change in the variable illumination provided by the DCR lighting fixture based on the change(s) in the environment. The processor, which is operably coupled to the sensor and to the memory, generates the digital control signal based on the rule(s) and the sensor signal and transmits the digital control signal to the DCR lighting fixture via the DLA input/output bus. The DLA input/output bus also receives the digital reporting signal and the DC power from the DCR lighting fixture. And the network interface, which is operably coupled to the processor, provides data representative of the digital reporting signal, the digital control signal, and/or sensor signal to a user.

[0008] Some embodiments of the inventive lighting systems include a cable that connects the fixture input/output bus to the DLA input/output bus. This cable and the input/output buses may be compatible with a local interconnect network (LIN) standard, a controller area network (CAN) standard, a KNX standard, and/or a digital addressable lighting interface (DALI) standard. In some cases, the lighting system includes a second DCR lighting fixture operably coupled to the DLA via a second cable and, optionally, a third DCR lighting fixture operably coupled to the DLA via a third cable coupled to the second DCR lighting fixture.

[0009] Examples of the fixture input/output bus and the DLA input/output bus may each comprise: a respective power port for the second portion of the DC power; a respective common port for a reference voltage level; and at least one respective data port for the at least one digital reporting signal and the at least one digital control signal. The fixture input/output bus and the DLA input/output bus may each be compatible with a local interconnect network (LIN) standard, a controller area network (CAN) standard, a KNX standard, and/or a digital addressable lighting interface (DALI) standard.

[0010] Exemplary DCR lighting fixtures may also include at least one sensor and a processor coupled to the sensor. The sensor measures at least one fixture parameter, such as a temperature of the light source (e.g., LED), a light source bias voltage, a light source operating current, a light source color temperature, and/or a light source color. The processor receives this fixture parameter measurement from the sensor and transmits a measurement signal representative of the fixture parameter to the DLA via a data port in fixture input/output bus.

[0011] Additional embodiments of the present invention include a method of illuminating an environment with variable illumination from at least one DCR lighting fixture disposed in a first location within the environment. One example of this method comprises sensing at least one change in the environment (e.g., a change in occupancy, environmental temperature, and/or ambient light level) at a DLA disposed in a second location within the environment. The DLA or other processor determines a change in the variable illumination from the DCR lighting fixture based at least in part on the change in the environment and generates a digital control signal based at least in part on this change in the variable illumination. The DLA transmits this digital control signal to the DCR lighting fixture via at least one cable connected to an input/output bus.

[0012] The DLA may also receive (DC) electrical power from the DCR lighting fixture via the cable and the input/output bus, e.g., at a voltage of less than or equal to +40 VDC, +24 VDC, +12 VDC, etc. The DLA may also receive a digital reporting signal representative of the DCR lighting fixture's power consumption via the cable and the input/output bus. In these cases, the DLA or other processor may determine the change in the variable illumination based at least in part on the DCR lighting fixture's power consumption. And the DLA may transmit data representative of the DCR lighting fixture's power consumption via an antenna or other wireless link.

[0012a] According to one embodiment, there is provided a system for providing variable illumination to an environment, the system comprising: at least one digital control ready (DCR) lighting fixture, disposed in a first location of the environment, to provide the variable illumination to at least a portion of the environment, the at least one DCR lighting fixture comprising: a fixture housing; at least one light source, in mechanical association with the fixture housing, to generate the variable illumination in response to at least one digital control signal; at least one light source driver, in mechanical association with the fixture housing and operably coupled to the at least one light source, to power the at least one light source according to the at least one digital control signal; an alternating current (AC) power input, in mechanical association with the fixture housing and operably coupled to the at least one light source driver, to provide AC power to the at least one light source driver; a power converter, in mechanical association with the fixture housing and operably coupled to the AC power input, to convert the AC power to direct current (DC) power at a voltage of less than or equal to +60 V; a power meter, in mechanical association with the fixture housing and operably coupled to at least one of the at least one light source driver, the AC power input, and the power

converter, to measure power consumption of the at least one DCR lighting fixture; and a fixture input/output bus, in mechanical association with the fixture housing and operably coupled to the at least one light source, the power converter, and the power meter, to receive the at least one digital control signal and to provide at least a portion of the DC power and at least one digital reporting signal representative of at least one of the power consumption and a light output of the at least one DCR lighting fixture; and at least one digital light agent (DLA), disposed in a second location of the environment and operably coupled to the at least one DCR lighting fixture, to control the at least one DCR lighting fixture in response to at least one change in the environment, the at least one DLA comprising: a DLA housing; at least one sensor, in mechanical association with the DLA housing, to provide at least one sensor signal representative of the at least one change in the environment; a memory, in mechanical association with the DLA housing, to store at least one rule governing a change in the variable illumination provided by the at least one DCR lighting fixture based at least in part on the at least one change in the environment; a processor, in mechanical association with the DLA housing and operably coupled to the at least one sensor and to the memory, to generate the at least one digital control signal based on the at least one rule and the at least one sensor signal; and a DLA input/output bus, in mechanical association with the DLA housing and operably coupled to the processor, to receive the portion of the DC power and the at least one digital reporting signal from the at least one DCR lighting fixture and to provide the at least one digital control signal to the at least one DCR lighting fixture; and a network interface, in mechanical association with the DLA housing and operably coupled to the processor, to provide data representative of at least one of the at least one digital reporting signal, the at least one digital control signal, and the at least one sensor signal to a user; wherein the at least one DCR lighting fixture further comprises: a first DCR lighting fixture operably coupled to the at least one DLA via a first cable; and a second DCR lighting fixture operably coupled to the at least one DLA via a second cable coupled to the first DCR lighting fixture.

[0013] For purposes of the present disclosure, the term "ambient light" refers to visible radiation (i.e., radiation whose wavelength is between about 450 nm and about 700 nm) that pervades a given environment or space. In other words, ambient light is the soft, indirect light that fills the volume of the environment and is perceptible to a person within the environment.

[0014] Similarly, the term "ambient light level" refers to the illuminance, or luminous flux on a surface per unit area. The illuminance is a measure of how much the incident light illuminates the

surface, wavelength-weighted by the luminosity function to correlate with human brightness perception. Luminous flux may be measured in lux (lumens per square meter) or foot-candles.

[0015] The following U.S. published applications are of interest hereto:

[0016] U.S. Patent No. 8,138,690, issued February 29, 2012, filed June 25, 2010, and entitled "LED-BASED LIGHTING METHODS, APPARATUS, AND SYSTEMS EMPLOYING LED

LIGHT BARS, OCCUPANCY SENSING, LOCAL STATE MACHINE, AND METER CIRCUIT”;

[0017] U.S. Patent No. 8,232,745, issued July 31, 2012, filed April 14, 2009, and entitled “MODULAR LIGHTING SYSTEMS”;

[0018] U.S. Patent No. 8,339,069, issued December 25, 2012, filed June 30, 2010, and entitled “POWER MANAGEMENT UNIT WITH POWER METERING”;

[0019] U.S. Pre-Grant Publication No. 2010-0296285-A1, published November 25, 2010, filed June 17, 2010, and entitled “SENSOR-BASED LIGHTING METHODS, APPARATUS, AND SYSTEMS EMPLOYING ROTATABLE LED LIGHT BARS”;

[0020] U.S. Pre-Grant Publication No. 2010-0301773-A1, published December 2, 2010, filed June 24, 2010, and entitled “LED-BASED LIGHTING METHODS, APPARATUS, AND SYSTEMS EMPLOYING LED LIGHT BARS OCCUPANCY SENSING, AND LOCAL STATE MACHINE”;

[0021] U.S. Pre-Grant Publication No. 2010-0302779-A1, published December 2, 2010, filed June 24, 2010, and entitled “LED-BASED LIGHTING METHODS, APPARATUS, AND SYSTEMS EMPLOYING LED LIGHT BARS, OCCUPANCY SENSING, LOCAL STATE MACHINE, AND TIME-BASED TRACKING OF OPERATIONAL MODES”;

[0022] U.S. Pre-Grant Publication No. 2010-0264846-A1, published October 21, 2010, filed June 28, 2010, and entitled “POWER MANAGEMENT UNIT WITH ADAPTIVE DIMMING”;

[0023] U.S. Pre-Grant Publication No. 2010-0295473-A1, published November 25, 2010, filed June 30, 2010, and entitled “LED LIGHTING METHODS, APPARATUS, AND SYSTEMS INCLUDING RULES-BASED SENSOR DATA LOGGING”;

[0024] U.S. Pre-Grant Publication No. 2010-0301768-A1, published December 2, 2010, filed June 30, 2010, and entitled “LED LIGHTING METHODS, APPARATUS, AND SYSTEMS INCLUDING HISTORIC SENSOR DATA LOGGING”;

[0025] U.S. Pre-Grant Publication No. 2012-0235579, published September 20, 2012, filed March 20, 2012, and entitled "METHODS, APPARATUS AND SYSTEMS FOR PROVIDING OCCUPANCY-BASED VARIABLE LIGHTING";

[0026] U.S. Pre-Grant Publication No. 2012-0143357, published June 7, 2012, filed November 4, 2011, and entitled "METHOD, APPARATUS, AND SYSTEM FOR OCCUPANCY SENSING";

[0027] WO 2012/061709, published May 10, 2012, filed November 4, 2011, and entitled "METHOD, APPARATUS, AND SYSTEM FOR OCCUPANCY SENSING";

[0028] WO 2012/129243, published September 27, 2012, filed March 20, 2012, and entitled "METHODS, APPARATUS AND SYSTEMS FOR PROVIDING OCCUPANCY-BASED VARIABLE LIGHTING"; and

[0029] PCT/US2012/63372, filed November 2, 2012, and entitled "METHODS, APPARATUS AND SYSTEMS FOR INTELLIGENT LIGHTING."

[0030] It should be appreciated that all combinations of the foregoing concepts and additional concepts discussed in greater detail below (provided such concepts are not mutually inconsistent) are contemplated as being part of the inventive subject matter disclosed herein. In particular, all combinations of claimed subject matter appearing at the end of this disclosure are contemplated as being part of the inventive subject matter disclosed herein. It should also be appreciated that terminology explicitly employed herein that also may appear in any disclosure should be accorded a meaning most consistent with the particular concepts disclosed herein.

BRIEF DESCRIPTION OF THE DRAWINGS

[0031] The skilled artisan will understand that the drawings primarily are for illustrative purposes and are not intended to limit the scope of the inventive subject matter described herein. The drawings are not necessarily to scale; in some instances, various aspects of the inventive subject matter disclosed herein may be shown exaggerated or enlarged in the drawings to

facilitate an understanding of different features. In the drawings, like reference characters generally refer to like features (e.g., functionally similar and/or structurally similar elements).

[0032] FIG. 1 illustrates a conventional intelligent lighting system.

[0033] FIG. 2A illustrates an intelligent lighting system with a digital control ready (DCR) lighting fixture coupled to a DCR digital light agent (DLA) according to embodiments of the present invention.

[0034] FIG. 2B illustrates a DLA that controls multiple DCR lighting fixtures via a daisy-chain connection according to embodiments of the present invention.

[0035] FIG. 3 illustrates a DCR lighting fixture according to embodiments of the present invention.

[0036] FIG. 4 illustrates a DLA according to embodiments of the present invention.

[0037] FIG. 5A illustrates an intelligent lighting system with a conventional lighting fixture coupled to a DLA via a DLA fixture adapter (DLAFA) according to embodiments of the present invention.

[0038] FIG. 5B illustrates a DLA that controls multiple DCR lighting fixtures via DLAFA in a daisy-chain connection with the DCR lighting fixtures according to embodiments of the present invention.

[0039] FIG. 6 illustrates a digital light agent fixture adapter (DLAFA), or smart power pack, suitable for use with a DCR lighting fixture according to embodiments of the present invention.

[0040] FIGS. 7A–7D show exemplary power savings achieved by implementing multi-level occupancy, task tuning, daylight harvesting, and scheduling responses with a DCR intelligent lighting system according to embodiments of the present invention.

[0041] FIG. 8 is a pie chart that shows exemplary power savings distributed according to savings source with a DCR intelligent lighting system according to embodiments of the present invention.

DETAILED DESCRIPTION

[0042] Following below are more detailed descriptions of various concepts related to, and embodiments of, inventive systems, methods, and apparatus for providing variable illumination with digital control ready lighting fixtures. It should be appreciated that various concepts introduced above and discussed in greater detail below may be implemented in any of numerous ways, as the disclosed concepts are not limited to any particular manner of implementation. Examples of specific implementations and applications are provided primarily for illustrative purposes.

[0043] Networked Lighting Systems

[0044] FIG. 1 shows a networked lighting system 100 suitable for illuminating a warehouse, cold-storage facility, office space, retail space, sports venue, school, residential area, outdoor space, correctional facility, industrial facility, or other environment. The networked lighting system 100 provides variable illumination at higher efficiencies and lower costs than conventional lighting systems. It can also be customized for energy management, safety, and aesthetic appeal.

[0045] The networked lighting system 100 includes one or more lighting fixtures 110, each of which includes one or more light sources, such as light-emitting diodes (LEDs), fluorescent bulbs, etc. Each lighting fixture 110 is powered by switched alternating current (AC) power 142 from a line voltage relay 140. As understood by those of ordinary skill in the art, the line voltage relay 140 contains at least one switch (not shown) that can be opened and closed to turn the switched AC power 142 off and on, respectively.

[0046] Each lighting fixture 110 is also operably coupled to a respective wireless network adapter 150 via a radio-frequency cable, an fiber optic link, a wireless infrared link, or a radio-frequency wireless link (e.g., a ZigBee link). In some cases, a single wireless network adapter 150 may be coupled to more than one lighting fixture 110; in other cases, the networked lighting system 100 include one (dedicated) wireless network adapter 150 for each lighting fixture 110.

[0047] The wireless network adapter 150 is powered by an AC power input 102 (e.g., 100–277 VAC, 50/60 Hz) and coupled to an ambient light sensor 120 and a low-voltage occupancy sensor 130 via wired or wireless links. The wireless network adapter 150 includes one or more transformers that transform the AC input power 102 into direct current (DC) power suitable for powering the ambient light sensor 120 and the occupancy sensor 130. In this case, the wireless network adapter 150 supplies 24 VDC power 156 to both the ambient light sensor 120 and the occupancy sensor 130.

[0048] The ambient light sensor 120 monitors the ambient light level in the environment illuminated by the lighting fixture 110 and provides a 0–10 VDC analog ambient light level signal 122 representative of the amount of light that it detects. Similarly, the occupancy sensor 130 monitors the occupancy of the environment illuminated by the lighting fixture 110 and provides a digital occupancy signal 132 (e.g., a 5 V transistor-transistor logic signal) representative of whether or not the environment is occupied.

[0049] The wireless network adapter 150 receives the ambient light level signal 122 and the occupancy signal 132 from the ambient light sensor 120 and the occupancy sensor 130, respectively, and processes them according to one or more rules stored in a memory (not shown). These rules govern the networked lighting system's response to changes in the ambient light level, occupancy, time of day, day of the week, ambient temperature, lighting fixture temperature, energy consumption, and/or other parameters that characterize the illuminated environment. A processor (not shown) in the wireless network adapter 150 implements a state machine that evaluates changes in the lighting fixture's output based on the sensor signals and the rules. For instance, if the wireless network adapter 150 receives an ambient light level signal 122 that indicates an increase in ambient light level and senses that the lighting fixture 110 is operating at 70% of its maximum rated output, the wireless network adapter 150 may reduce the lighting fixture's output to 60% of its maximum rated output. If the wireless network adapter 150 receives a "high" occupancy signal 132 after hours and senses that there is no appreciable ambient light and that the lighting fixture 110 is off, it may turn the lighting fixture 110 to operate at 25% of its maximum rated output.

[0050] The wireless network adapter 150 controls the lighting fixture 110 by adjusting an analog 0–10 VDC dimming signal 152 that determines the lighting fixture’s output illumination level. Assuming no hysteresis or response nonlinearity, the lighting fixture’s output illumination level varies linearly with the amplitude of the dimming signal: 10 VDC produces the maximum illumination, 9 VDC produces 90% of the maximum illumination, and so on. Because the dimming signal 152 is an analog signal, it must be supplied continuously for as long as the lighting fixture 110 is supposed to emit light at the desired output level. In addition, different fixtures respond differently to the same analog dimming signal, which makes it difficult to standardize control hardware like the wireless network adapter 150. Even a given fixture may respond differently to the same analog dimming signal under different environmental conditions (e.g., temperature) and at different points in its useful life. To compensate for these variations, the wireless network adapter 150 may have to be calibrated (and periodically recalibrated) to the fixture 110, which can be time consuming and expensive.

[0051] The wireless network adapter 150 can also turn the entire lighting fixture 110 on and off. As shown in FIG. 1, the wireless network adapter 150 supplies a digital relay output 154 to the line voltage relay 140 that supplies switched AC power 142 to the lighting fixture 110. If the wireless network adapter 150 determines that there is no reason to illuminate the environment (e.g., there is no occupancy and the illuminated facility is closed), it can turn off the switched AC power 142 by transmitting a digital relay output 154 that causes the switch in the line voltage relay to open. This reduces the lighting fixture’s power consumption to zero; not even standby power is applied to the lighting fixture. It also gives the wireless network adapter 150 coarse control of the lighting fixture’s power consumption.

[0052] **Digital Control Ready (DCR) Intelligent Lighting Systems**

[0053] FIG. 2A shows an intelligent lighting system 200 that uses a two-way open standard for controlling and managing next-generation fixtures known as the Digital Control Ready (DCR) standard. The DCR standard is a simple, extensible, and low-cost way to add energy-efficient and feature-rich functionality to any lighting fixture or lighting system (e.g., lighting system 200). Compared to other networked lighting systems, which may have many specialized,

expensive components, the DCR intelligent lighting system 200 shown in FIG. 2A may be simpler and less expensive to install and operate. It may also be more easily expanded and more flexible than other networked lighting systems.

[0054] Using the DCR standard, a “dumb” DCR lighting fixture 210 can be transformed into an intelligent fixture capable of occupancy detection, daylight harvesting, task tuning, 0–100% digital dimming, and wireless control and management via a separate wireless digital lighting agent (DLA) 220. The DLA 220 connects to a gateway, server, or other central management device (not shown) via a network interface, such as an antenna, free-space optical transceiver, wired connection, or fiber optic link. Because the DLA 220 is separate from the DCR lighting fixture 210, its antenna can be positioned to send and receive signals over a longer range, with better signal fidelity, and/or with lower transmit powers. In addition, the DLA’s network interface (antenna) enables remote control of the DCR lighting fixture 210, e.g., using an interface accessible from a networked device like a computer or smartphone.

[0055] The DCR lighting fixture 210 is network-agnostic at the control layer and communicates using a bi-directional digital data link instead of a 0–10 VDC analog dimming input. The DCR lighting fixture 210 is also “energy-aware”: it meters and reports its power and energy consumption via the data link. And it provides DC power (e.g., 24 VDC power from a class 2 output) to power modular control accessories, including the DLA 220.

[0056] In the intelligent lighting system 200 shown in FIG. 2A, the DCR lighting fixture 210 is coupled to the DLA 220 via a DCR cable 230, which includes a power wire 232, a common (ground) wire 234, and a bidirectional data interface 236. The DCR lighting fixture 210 provides DC power to the DLA 220 via the power wire 232 and the common wire 234 at a voltage 60 VDC, 40 VDC, 24 VDC, 12 VDC, 9 VDC, 5 VDC, or any other suitable voltage. The DCR lighting fixture 210 generates this DC power using one or more transformers (not shown) to transform AC power from an AC input line 202 into DC power.

[0057] The DCR lighting fixture 210 exchanges information with the DLA 220 via the bidirectional data interface 236, which may include one or more wires in the cable. In some cases, the data interface 236 may include a single wire that supports time-multiplexed

communication between the DCR lighting fixture 210 and the DLA 220. The data interface 236 may also include one or more wires that carry signals from the DCR lighting fixture 210 to the DLA 220 and one or more wires that carry signals from the DLA 220 to the DCR lighting fixture 210.

[0058] As understood by those of skill in the art, the power wire 232, the common wire 234, and the bidirectional data link 236 may each include a conductive wire (e.g., a solid or multi-strand metal wire) surrounded by a coaxial insulating layer, such as a concentric piece of solid plastic or rubber. If desired, the wires may also be at least partially encased by separate metal shields or a common metal shield and an outer protective layer. Suitable physical standards for producing DCR cables 230 include, but are not limited to the local interconnect network (LIN) standard, the controller area network (CAN) standard, the KNX standard, and the digital addressable lighting interface (DALI) standard. For example, the DCR cable 230 may conform to a suitable common standard, such as the RJ-45 standard, and be terminated with suitable connectors, such as RJ-45 connectors, RJ-11 connectors, terminal blocks, or any other suitable type of connector.

[0059] Like other networked lighting systems, the intelligent lighting system 200 shown in FIG. 2A is suitable for illuminating a warehouse, cold-storage facility, office space, retail space, sports venue, school, residential area, outdoor space, correctional facility, industrial facility, or other environment. In operation, one or more light sources (e.g., LEDs) in the DCR lighting fixture 210 provide variable illumination according to digital control signals from the DLA 220. Because the DCR lighting fixture 210 responds to digital control signals rather than analog control signals, it produces light with more uniformity and more consistency than conventional (analog) fixtures. Light output also varies less from fixture to fixture for a given digital control signal. The use of digital signaling also eliminates the need for separate digital-to-analog adapters.

[0060] Unlike conventional fixtures, the DCR lighting fixture 210 measures its power consumption, energy consumption (e.g., over a given period), operating temperature, commanded light level, actual light level, commanded color temperature, actual color temperature,

color (chromaticity), output spectrum, remaining LED lifetime, etc., and reports these measurements to the DLA 220 on a periodic, as-needed, or as-commanded basis. This bidirectional communication can be used to implement closed-loop feedback control for more precise lighting.

[0061] The DCR lighting fixture 210 may also report identifying information to the DLA 220 (and/or to a fixture adapter as discussed below) via the bidirectional digital link 236. For instance, the DCR lighting fixture 210 may transmit its serial number, model number, make, network address, physical location, or any other identification information to the DLA 220, e.g., in response to a query from DLA 220, upon being powered up, on a periodic basis, or on any other suitable basis or timeline. The DCR lighting fixture 210 may also transmit information about its configuration or capabilities, including but not limited to its maximum and minimum light output levels; its maximum and minimum rated power consumption; its color temperature and color temperature range; the number and orientation of the lighting modules in the lighting fixture; and the number, type, and expected lifetime of the light sources (e.g., LEDs) in the lighting modules. Again, the the DCR lighting fixture 210 may transmit this information to the DLA 220 in response to a query from DLA 220, upon being powered up, on a periodic basis, as part of a periodic “health check” broadcast, or on any other suitable basis or timeline

[0062] The DLA 220 receives and processes the measurements from the DCR lighting fixture 210. It also monitors the illuminated environment for changes in occupancy, ambient light level, temperature, etc. with one or more occupancy, ambient light level, and temperature sensors. The DLA 220 may also receive commands and/or data from other sources, including a central controller, other DLAs, and other DCR lighting fixtures, via a network interface, such as an antenna. The DLA 220 evaluates this information according to one or more rules stored in memory (not shown). Each of these rules govern a transition between a pair of the intelligent lighting network’s (or DCR lighting fixture’s) possible operating states. For a given current operating state, there may a finite number of possible next operating states, with the transition from the current operating state to a particular next operating state determined by a change in the environmental conditions and/or the DCR lighting fixture’s operating parameters.

[0063] If the DLA 220 determines that the DCR lighting fixture's operating state should change (e.g., its light output should go down because it is consuming too much power), it transmits a digital control signal to the DCR lighting fixture 210 that represents the DCR lighting fixture's new operating state. This digital control signal may include bits (e.g., 4, 8, 16, 32, or 64 bits) representing the DCR lighting fixture's light (dimming) level, color temperature, color, output spectrum, target power consumption, maximum power consumption, or any other fixture parameter. The DCR lighting fixture 210 adjusts its operating state in response to this digital control signal, e.g., to a different light output level or color temperature. Because the command signal is digital, not analog, it does not have to be transmitted continuously—a single transmission is enough.

[0064] The DLA 220 may also reprogram the DCR lighting fixture 210 via the bidirectional data link 236. For instance, the DLA 220 may update firmware used by the DCR lighting fixture 220. It may also load calibration data or look-up table data used by the DCR lighting fixture 210 to convert the digital command signals from the DLA 220 into voltage and/or current settings for driving the various components and modules in the DCR lighting fixture 210, such as LED drivers for LEDs that provide the illumination. In addition, the DLA 220 may set one or more of the DCR lighting fixture's "persistent" operating parameters, such as maximum power or illumination levels.

[0065] **Controlling Multiple DCR Lighting Fixtures**

[0066] FIG. 2B illustrates a DCR-enabled networked lighting system 250 that includes several DCR lighting fixtures 210', 210'', 210''', and 210'''' (collectively, fixtures 210) controlled by a single DLA 220. The DLA 220 is connected to the first DCR lighting fixture 210' via a first DCR cable 230', just as in the system 200 shown in FIG. 2A. The second fixture 210'' is connected to the first fixture 210' via a second DCR cable 230'' or other suitable bi-directional data link, the third fixture 210''' is connected to the second fixture 210'' via a third DCR cable 230''', and so on. In other words, the fixtures 210 are daisy-chained to the DLA 220 using respective DCR cables 230', 230'', 230''', 230'''' (collectively, DCR cables 230).

[0067] As discussed above, the first DCR cable 230' carries DC power as well as data from the first fixture 210' to the DLA 220. This data may include data passed on from the other fixtures 210 in the daisy chain, including information about the fixtures' current operating states, respective power consumption, and network health. This information may be passed up the daisy chain, e.g., from the third fixture 210''' to the second fixture 210'' and so on, with each successive fixture 210 simply routing the information rather than analyzing or processing it in any way. The upstream data may be addressed or marked with header information that signifies its origin (e.g., the third fixture 210''').

[0068] The first DCR cable 230' also carries digital control signals from the DLA 220 to the first fixture 210', which acts on commands that affect its operating state and transmits commands addressed to other fixtures 210 down the daisy chain via the other cables 230. These digital control signals may include broadcast messages that affect every fixtures 210 in the network 250 (e.g., "power off" or "increase light output") as well as messages targeted to a particular fixture 210 or group of fixtures 210. These fixture-specific messages may be based on localized environmental changes, such as detected activity (motion), predicted motion, or changes in ambient light levels (e.g., more light coming through a particular window or skylight) in a particular section of the illuminated environment. The second and subsequent cables 230 may or may not carry DC power between the fixtures 230 depending on the fixtures' particular power requirements and available power supplies.

[0069] Digital Control Ready (DCR) Lighting Fixtures

[0070] FIG. 3 is a block diagram of the DCR lighting fixture 210 shown in FIG. 2A. The DCR lighting fixture 210 includes a power meter 310, a low-voltage power supply 320, a processor (microcontroller 330), one or more LED drivers 340, and a DCR interface (port) 350. It also includes one or more LED modules 342a, 342b, ..., 342n (collectively, LED modules 342), each of which includes one or more LEDs. The LED modules 342 consume power and emit light according to digital control signals received by the microcontroller 330 from the DLA 220 (FIG. 2A) via the DCR port 350, which may conform to the RJ-45 standard. In some cases, the DCR

lighting fixture 210 may have additional DCR ports 350, e.g., to support daisy-chain connections as shown in FIG. 2B or to support connection to other DCR-enabled devices.

[0071] The power meter 310 is coupled to an AC input 302 that receives line AC power from an external source. The power meter 310 may be implemented in hardware or software and measures the power consumed by the DCR lighting fixture 100. By way of non-limiting example, the power meter 310 may include a Cirrus CS5490 two-channel energy measurement integrated circuit that provides high-accuracy energy measurement, on-chip energy calculations, and fast on-chip calibration. It may also count or integrate the amount of energy consumed by the DCR lighting fixture 100 over a given period (e.g., over the most recent billing interval or since the last query or report). Some examples of the power meter 310 may also track how much power is consumed by each component or module in the fixture 210. For instance, the power meter 310 may measure how much power (and energy) is consumed by the low-voltage supply 320, the microcontroller 330, and the LED driver(s) 340.

[0072] The power meter 310 supplies the power consumption data and the energy consumption data to the microcontroller 330, which reports the data to the DLA 220 (FIG. 2A) via the DCR port 350. The microcontroller 330 also reports other data about the fixture's operating state, such as its operating temperature, the color temperature of the LEDs, the actual LED output (which may be measured with a photosensor coupled to the microcontroller 330), and indications of malfunctions (e.g., error messages). It reports this information by generating and transmitting one or more digital signals to the DLA 220 (not shown) via a data output port 356 in the DCR port 350. The microcontroller 330 may report some or all of this data to the DLA 220 at regular intervals (e.g., every hour), when commanded to by the DLA 220, in response to predetermined events (e.g., at power-up, power-off, or in the event of a component failure).

[0073] The microcontroller 330 also receives, processes, and carries out digital control signals from the DLA 220. For instance, if the microcontroller 330 receives a digital control signal indicating a desired change in the light level or color temperature provided by the LED modules 342, it actuates the LED driver(s) 340 so as to provide the desired light level. The LED driver(s) 340 respond(s) to this actuation by increasing or decreasing the current provided to the LED

modules 342, which in turn causes the light level to increase or decrease, respectively. The microcontroller 330 may also actuate the LED driver(s) 340 so as to actuate the color temperature, color, beam angle, number of beams, beam footprint(s), etc. of the beams of light emitted by the LED modules 342.

[0074] As mentioned above, the DCR lighting fixture 210 also provides DC power to the DLA 220 via a +DC port 352 in the DCR interface 350. This power is generated by the low-voltage power supply 320, which receives AC power from the AC input 302 via the power meter 310. The low-voltage power supply 320 includes at least one AC-DC converter to transform the AC power into DC power suitable for powering the DLA 220, the microcontroller 330, the LED driver(s) 340, and the other electronic components in the DCR lighting fixture 210. The low-voltage power supply 320 may also include one or more DC-DC converters to step up or down the DC voltage from the AC-DC converter as desired.

[0075] DCR Digital Light Agents

[0076] FIG. 4 is a schematic diagram of the digital light agent (DLA) 220 shown in FIG. 2A. Embodiments of the DLA 220 can be made from low-cost, commodity hardware and feature compact and flexible designs for easy installation. For instance, the DLA 220 may have electrical and mechanical connections that make it possible to upgrade an existing fixture in a matter of minutes. Once installed, the DLA 220 provides intelligent occupancy control, task tuning, and daylight harvesting for reduced power consumption.

[0077] The DLA 220 includes a processor (microcontroller 410), a DC power converter 420, a electrically erasable programmable read-only memory (EEPROM) 430, a networking module 440, a DCR interface 450, and an extensible sensor bus 460 that holds one or more integrated sensors 462a, 462b, ..., 462n (collectively, sensors 462) disposed within a housing 470. As understood by those of ordinary skill in the art, these electronic components may be operably coupled together via electrical connections (conductive traces) or optical connections (free-space or waveguide links).

[0078] The DCR interface 450 is configured to receive DC power and data and to transmit data to a DCR lighting fixture 210 (FIG. 2A) or other DCR-compatible component via a DCR cable

230. As described above, the DCR port includes a DC voltage port (e.g., +12 VDC to +24 VDC), a common port, and one or more data ports. Power received via the DCR port 450 flows to the DC power converter 420, which steps up or down the received DC voltage to voltage levels suitable for powering the microcontroller 410, memory 430, sensors 462, and other electronic components in the DLA 220.

[0079] The sensors 462 may include but are not limited to an occupancy sensor 462a (e.g., a dual-element passive infrared occupancy sensor), a digital ambient light sensor 462b, an internal temperature sensor, an external temperature sensor, a real-time clock, and a power meter (e.g., a utility-grade power meter). These sensors 462 detect environmental conditions associated with the environment illuminated by the fixture 210 and/or the network 200 and conditions of the DLA 220 itself. If desired, one or more of the sensors 462 may be optically coupled to respective lenses for improved sensing capabilities. These lenses may be chosen based on the DLA's position within the illuminated environment. For instance, the lenses may provide wide-area coverage for high-bay and outdoor mounting, narrower coverage for mid-bay mounting, etc.

[0080] The sensors 462, including the occupancy sensor 462a and the ambient light sensor 462b, can be calibrated so as to adapt the lighting network's performance to specific characteristics of the environment. For instance, the occupancy sensor 462a may be calibrated so as to provide different degrees of responsiveness for people and vehicles. Similarly, the ambient light sensor 462b may be calibrated to account or compensate for variations in reflectivity of surfaces in the environment, the presence of obstructions between the sensor 462b and windows or skylights, etc. The DLA 220 may carry out one or more of these calibrations internally, e.g., based on information about the sensor 462 (e.g., sensor element, lens, amplifier, etc.) derived by or provided to the microcontroller 410. The DLA 220 may also be calibrated manually or via external command based on sensor measurements of known stimuli (e.g., known ambient light levels or known occupancy profiles). Sensor calibration can be automated and/or continuous (e.g., as implemented with open-loop feedback derived from sensor data). It can also be carried discretely (e.g., during installation or routine maintenance) using handheld calibration tools, software, push-button interfaces on the DLA 220, etc.

[0081] The DLA 220 may also use data from the ambient light sensor 462b to perform aging/depreciation compensation of the DCR lighting fixture's LEDs. To do this, the DLA 220 tracks the relationship between the commanded light level and the detected light level over time, possibly by storing records (data) about the commanded and detected light levels in the EEPROM 430. The DLA 220 either analyzes this data itself or transmits the data via the networking module 440 to an external processor or management module for analysis. In either case, the analysis involves determining changes in the detected light level for a given commanded light level. In other words, the DLA 220 or external processor determines how much light the DCR lighting fixture 210 should be generating, and how much it actually is generating, and adjusts the calibration constants in the DCR lighting fixture 210 accordingly. Lighting level changes on short time scales (e.g., minutes, hours, or days) may indicate environmental changes, whereas more gradual changes may indicate LED degradation, sensor degradation, or both. Abrupt changes in the detected light level for a given commanded light level may represent either environmental changes or component failures. In some cases, these changes can be disambiguated with data from other sensors (e.g., the occupancy sensor 462a), components, or user input.

[0082] The microcontroller 410 may log sensor data and fault information from the DLA's electronic components and the lighting fixture 210 (FIG. 2A) in the memory 430. For instance, the microcontroller 410 may log occupancy data as a function of time for later analysis of occupancy and traffic patterns in the illuminated environment. It may also log and analyze longer-term changes, such as changes in average ambient light level with the time of year. This data may be analyzed, either on-board the DLA 220 or remotely, to adjust operation of the lighting system 200, e.g., so as to reduce power consumption, improve safety, etc.

[0083] The microcontroller 410 may also use real-time and logged sensor to control the DCR fixture 210 so as to provide light only when and where it is needed, dramatically reducing lighting-related energy usage. For instance, the occupancy sensor 462a may provide, to the microcontroller 410, a multi-bit digital signal that represents the number of occupants, the types of occupant (e.g., vehicles or people), and the occupants' trajectories (e.g., no movement,

straight-line movement, etc.) in the environment illuminated by the lighting system 200. The microcontroller 410 responds to this multi-bit signal by generating one or more digital control signals according to rules stored in the memory and transmits the digital control signal(s) to the DCR lighting fixture 210 (FIG. 2A) via the DCR port 450 (e.g., an RJ-45 port).

[0084] Similarly, the microcontroller 410 may command the DCR lighting fixture 210 to change state based on changes in the ambient light level detected by the digital ambient light sensor 462b. In some cases, the DLA 220 may implement "daylight harvesting" by reducing the amount of light provided by the fixture 210 when the ambient light level increases. In other words, the DLA 220 may automatically dim the light fixture 210 when the amount of sunlight (or light from other sources) increases so as to maintain a constant light level in the environment illuminated by the lighting system 200. This real-time feedback allows for precise control of delivered light in dynamic conditions.

[0085] The DLA 220 may also generate digital command signals that provide lighting that is tuned to a particular task undertaken by an occupant of the illuminated environment. This type of lighting control and management, which is known as "task tuning," involves using the ambient light sensor 462b embedded in the DLA 220 to allow a user to customize delivered light levels to the specific task at hand. Because most spaces (environments) are overlit by design, this typically results in substantial savings. For example, the user may set the desired light level (e.g., 30 ft-cd) at a particular task height (e.g., rack height) or task surface (e.g., the surface of a desk) using an interface (e.g., a web browser or smartphone app) that is communicatively coupled to the DLA 220. The DLA 220 responds to this instruction by adjusting the illumination provided by the DCR fixture 210 to provide the desired light level using closed-loop feedback provided by ambient light level measurements from the ambient light sensor 462b. In some cases the DLA 220 may employ a calibrated transfer function to map the measured ambient light level(s) to the light level at the task height as disclosed in PCT/US2012/63372, filed November 2, 2012, and entitled "METHODS, APPARATUS AND SYSTEMS FOR INTELLIGENT LIGHTING,".

[0086] Daylight harvesting, occupancy-based lighting, and other task- and environmental-based lighting behavior can be controlled and adjusted dynamically using instructions (software) stored in the memory 430 coupled to the microcontroller 410. For example, these instructions may cause the microcontroller 410 to implement a state machine based on rules governing the system's response to changing environmental and system parameters. They may also cause changes in illumination based on a schedule provided by a facility user or operator. The instructions stored in the memory 430 may be augmented, updated, or overwritten with instructions from a server, gateway, or other central management module communicatively coupled to the DLA 220 via the networking module 440. In addition, the networking module 440 may receive instructions for real-time control of the lighting fixture 210, the DLA 220, and/or any other part of the lighting system 200. The networking module 440 may also serve as a node in a wireless mesh network or multi-hop wireless network.

[0087] As understood by those of ordinary skill in the art, the networking module 440 may include a radio-frequency (rf) antenna (not shown) for wireless communication with a ZigBee/IEEE 802.15.4 link, Wi-Fi router, wireless gateway, or other suitable wireless device. In some cases, the antenna is disposed within the housing 470, which can be thin and permeable enough at rf wavelengths not to impede wireless communication. In other cases, at least part of the antenna protrudes through the housing 470 to prevent undesired attenuation or interference with signals transmitted and received by the antenna.

[0088] The networking module 440 may also be used to commission the DLA 220 after installation. For instance, the DLA 220 may be configured wirelessly using a cross-platform (Win/Mac) commissioning tool application (not shown) coupled with a USB ZigBee radio. This wireless toolkit allows installers and/or end users to: assign a name or address to the fixture for identification purposes; set the active and inactive light levels; set a timeout for the occupancy sensor 462a; and set ambient light targets for active and inactive states. If desired, the user can calibrate the ambient light sensor 462b use the commissioning tool application and a separate (e.g., handheld) light meter or photodetector. This calibration may be used to fine-tune or augment the DLA's factory calibration, which may encompass using software and hardware to

calibrate the DLA's software-based power estimator. The user may also use the commissioning tool application to download logged data, including event history and energy usage, and update the firmware stored in the memory 430.

[0089] As mentioned above, the DLA's electronic components may be disposed within a housing 470. The housing's physical form factor may be based on PCA spatial requirements, sensor lens constraints, and desired wireless antenna coverage. For example, the housing 470 may be shaped for surface mounting, mounting in a recessed junction box enclosure, or mounting on a conduit to a lighting fixture 210. In one embodiment, it is about 11 cm high by 11 cm wide by 3.0 cm in deep. It may be injection-molded or otherwise formed from a polymeric material, such as acrylonitrile butadiene styrene (ABS) polymer, that is tough, resistant to impact and heat, and conforms with the appropriate fire and electrical safety standards. The housing 470 may protect the DLA's electronic components well enough to sustain operation over a temperature range of about -40°C to about 50°C and a humidity range of about 0% to about 95%.

[0090] **DCR Intelligent Lighting Systems with Conventional Lighting Fixtures**

[0091] FIG. 5A is a diagram of a DCR networked lighting system 500 that includes a conventional dimmable lighting fixture 110 (described above with respect to FIG. 1). The conventional fixture 110 is operably coupled to a DLA 220 via a DCR digital light agent fixture adapter (DLAFA) 520. The DLA 220 is connected to the fixture adapter 520 via a DCR cable 230, and the DLAFA is operably connected to the conventional fixture 110.

[0092] As shown in FIG. 5A, the fixture adapter 520 transforms the conventional fixture 110 into a DCR fixture from the perspective of the DLA 220. The fixture adapter 520 transforms AC power from an AC input 502 into DC power (e.g., at +60, +40, +24, +12, +9, or +5 VDC), which it supplies to the DLA 220. The fixture adapter 520 also supplies switched AC power to the conventional fixture 110 via an AC line 522 connecting the fixture adapter 520 to the fixture 110.

[0093] In addition, to supplying power, the fixture adapter 520 monitors the fixture's power consumption, energy consumption, etc. It reports this data to the DLA 220 via the DCR cable

230 as described above with respect to FIG. 2A. The fixture adapter 520 also receives digital control signals from the DLA 220 and uses them to generate 0–10 VDC analog dimming signals suitable for controlling the intensity of the light emitted by the lighting fixture 110.

[0094] Like the DLA 220 shown in FIG. 2B, a DLAFAs can be used to control more than one conventional lighting fixture 110 at a time. For instance, FIG. 5B illustrates a networked lighting system 550 that includes several conventional lighting fixtures 110', 110'', and 110''' (collectively, fixtures 110) controlled by a single DLA 220 via a single fixture adapter 520. In this particular configuration (i.e., one DLA 220 connected to one fixture adapter 520, which is connected in turn to many conventional fixtures 110), the fixture adapter 520 provides a single analog dimming signal that causes all of the connected fixtures 110 to dim simultaneously to the same dimming/light level. The fixture adapter 520 provides the analog dimming signal and switched AC power to the first lighting fixture 110' via a first power line 522' and a first analog control line 524', just as in the system 500 shown in FIG. 5A. The second fixture 110'' is connected to the first fixture 110' via a second power line 522'' and a second analog control line 524'', and so on. In other words, the fixtures 110 are daisy-chained to the fixture adapter 520 using respective AC power lines 522', 522'', and 522''' (collectively, AC power lines 522) and respective analog control lines 524', 524'', and 524''' (collectively, analog control lines 524).

[0095] DCR Digital Light Agent Fixture Adapter (DLAFA)

[0096] FIG. 6 is a block diagram of the fixture adapter 520 used in the networked lighting systems 500 and 550 of FIGS. 5A and 5B, respectively. The fixture adapter 520 includes a power meter 610, a low-voltage power supply 620, a processor (microcontroller 630), a signal conditioning block 640, at least one DCR port 650 (e.g., two DCR ports 650), and a switchable AC relay 660 all disposed within a housing 670. The power meter 610 is coupled to the AC input 502 and provides utility-grade power metering for turning lights into managed energy resources. It measures and records the amount of power consumed by the fixture adapter 520 and the amount of switched AC power provided to the lighting fixtures 110 via a switched AC power output 662, which may comprise AC line, neutral, ground, and switched connections. It also provides AC power to the switchable AC relay 660 and to the low-voltage power supply 620,

which transforms the AC power into DC power (e.g., about +12 VDC to about +24 VDC) for powering the DLA 220 via the DCR port 650.

[0097] The DCR port 650, which may be an RJ-45 compatible connector, also transmits data to connected DCR-compatible control modules like the DLA 220. The transmitted data includes power consumption information from the power meter 610, as well as possibly information about the health of the fixture 110, the fixture adapter 520, and the network. For instance, the fixture adapter 520 may report faults in its own circuitry to the DLA 220.

[0098] The DCR port 650 also enables the fixture adapter 520 to provide full-range (e.g., 0–10 VDC) dimming control for adding smooth digital dimming to a wide range of legacy fixture types. As described above, the DLA 220 generates digital control signals for changing the light level, color temperature, chromaticity, etc. of the illumination emitted by the fixture 110 based on data from the fixture adapter 520. In this case, the fixture adapter 520 receives these digital control signals and converts them to 0–10 V analog dimming signals using signal conditioning circuitry 640. This signal conditioning circuitry 640 transmits the analog dimming signals to the fixture via a dimming output 642, which may include a 0–10 VDC output connector and a 0–10 VDC reference connector. The fixture adapter 520 may supply this analog dimming signal continuously until it receives another digital control signal from the DLA 220. As mentioned above, one of the problems with 0–10 VDC dimming control is that it is not guaranteed to be consistent from fixture to fixture—for example, two otherwise identical fixtures may output different light levels when both are dimmed to 3.5 V on the 0–10 VDC input. Because of this, the fixture adapter 520 may also store and execute a programmable calibration function to allow customization of the relationship between commanded output level (e.g. “set to 35% of maximum brightness” coming from the DLA 220) and the 0–10 VDC output signal.

[0099] Like the DCR lighting fixture 210, the fixture adapter 520 may transmit identifying information, such as type and serial number, and capability information, such as a maximum light output and color temperature, to the DLA 220. It may do this in response to a query from the DLA 220, as part of a periodic “health-check” transmission, upon power up, etc. The fixture adapter 520 may derive and/or store information about the conventional fixture 110, such as

fixture type, location, capability, etc., and provide this information to DLA 220, either automatically or in response to a command.

[0100] In addition, the DLA 220 may also reprogram the fixture adapter 520 via the bidirectional data link 236. For instance, the DLA 220 may update firmware used by the fixture adapter 520. It may also load calibration data or look-up table data used by the DCR lighting fixture 220 to convert the digital command signals from the DLA 220 into analog dimming signal voltage levels for controlling the fixture 110. In addition, the DLA 220 may set one or more of the fixture adapter's "persistent" operating parameters, such as maximum power or illumination levels.

[0101] The fixture adapter 520 may include a housing 670 that defines a compact, bolt-on enclosure, e.g., one with a rugged, small form factor IP30-rated ABS enclosure suitable for mounting in a variety of environments. For instance, the housing 670 may be about 2.5 cm high by 3.0 cm wide by 17.8 cm deep. It may be injection-molded or otherwise formed from a polymeric material, such as ABS polymer, that is tough, resistant to impact and heat, and conforms with the appropriate fire and electrical safety standards. The housing 670 may protect the fixture adapter's electronic components well enough to sustain operation over a temperature range of about -40° C to about 50° C and a humidity range of about 0% to about 95%.

[0102] Energy Savings

[0103] FIGS. 7A–7D and 8 illustrate energy savings achievable with a DCR intelligent lighting system such as the ones shown in FIGS. 2A, 2B, 5A, and 5B. The plots in FIGS. 7A–7D show power consumption versus time of day for different types of behavior management supported by a DCR intelligent lighting system and the (constant) power consumption of a fixture that is always on (or turned on at the start of the work day (e.g., 6 am) and turned off at the end of the work day (e.g., 6 pm)). The highlighted areas represent the reduction in energy consumption realized with the corresponding behavior control as compared to the energy consumption of a comparable lighting system that is always on. FIG. 7A shows that multi-level occupancy-based control results in a 20–80% energy savings; FIG. 7B shows that task tuning results in a 5–40%

energy savings; FIG. 7C shows that daylight harvesting results in up to 30% energy savings; and FIG. 7D shows that scheduling results in a 5–30% energy savings. FIG. 8 shows energy savings apportioned to each type of behavior management. These plots show that using many different types of sensors (occupancy, ambient light, time-of-day) and control strategies (e.g., multi-level occupancy-based control, task-tuning, daylight harvesting, and scheduling) leads to greater energy savings. One innovation associated with the DCR lighting networks and DCR-enabled lighting fixtures, fixture adapters, and DLAs disclosed herein is the integration of these different types of sensors into a low-cost, modular hardware package (e.g., DLA 220 in FIG. 2) and using software to implement the control strategies (versus the hard-wired behavior of the multi-box architecture shown in FIG. 1).

[0104] Conclusion

[0105] While various inventive embodiments have been described and illustrated herein, those of ordinary skill in the art will readily envision a variety of other means and/or structures for performing the function and/or obtaining the results and/or one or more of the advantages described herein, and each of such variations and/or modifications is deemed to be within the scope of the inventive embodiments described herein. More generally, those skilled in the art will readily appreciate that all parameters, dimensions, materials, and configurations described herein are meant to be exemplary and that the actual parameters, dimensions, materials, and/or configurations will depend upon the specific application or applications for which the inventive teachings is/are used. Those skilled in the art will recognize, or be able to ascertain using no more than routine experimentation, many equivalents to the specific inventive embodiments described herein. It is, therefore, to be understood that the foregoing embodiments are presented by way of example only and that, within the scope of the appended claims and equivalents thereto, inventive embodiments may be practiced otherwise than as specifically described and claimed. Inventive embodiments of the present disclosure are directed to each individual feature, system, article, material, kit, and/or method described herein. In addition, any combination of two or more such features, systems, articles, materials, kits, and/or methods, if such features,

systems, articles, materials, kits, and/or methods are not mutually inconsistent, is included within the inventive scope of the present disclosure.

[0106] The above-described embodiments can be implemented in any of numerous ways. For example, the embodiments may be implemented using hardware, software or a combination thereof. When implemented in software, the software code can be executed on any suitable processor or collection of processors, whether provided in a single computer or distributed among multiple computers.

[0107] Further, it should be appreciated that a computer may be embodied in any of a number of forms, such as a rack-mounted computer, a desktop computer, a laptop computer, or a tablet computer. Additionally, a computer may be embedded in a device not generally regarded as a computer but with suitable processing capabilities, including a Personal Digital Assistant (PDA), a smart phone or any other suitable portable or fixed electronic device.

[0108] Also, a computer may have one or more input and output devices. These devices can be used, among other things, to present a user interface. Examples of output devices that can be used to provide a user interface include printers or display screens for visual presentation of output and speakers or other sound generating devices for audible presentation of output. Examples of input devices that can be used for a user interface include keyboards, and pointing devices, such as mice, touch pads, and digitizing tablets. As another example, a computer may receive input information through speech recognition or in other audible format.

[0109] Such computers may be interconnected by one or more networks in any suitable form, including a local area network or a wide area network, such as an enterprise network, and intelligent network (IN) or the Internet. Such networks may be based on any suitable technology and may operate according to any suitable protocol and may include wireless networks, wired networks or fiber optic networks.

[0110] The DLAs, DLAFAs, DCR lighting fixtures, and other electronic devices disclosed herein may each include a memory (e.g., EEPROM 430 in FIG. 4), one or more processing units (also referred to herein simply as “processors”; e.g., microcontrollers 310, 410, and 610), one or more communication interfaces (e.g., DCR ports 350, 450, and 650), one or more display units

(e.g., LEDs, liquid-crystal displays, etc.), and one or more data input devices (e.g., keypads, antennas, etc.). The memory may comprise any computer-readable media, and may store computer instructions (also referred to herein as “processor-executable instructions”) for implementing the various functionalities described herein. The processing unit(s) may be used to execute the instructions. The communication interface(s) may be coupled to a wired or wireless network, bus, or other communication means and may therefore allow the electronic device to transmit communications to and/or receive communications from other devices. The display unit(s) may be provided, for example, to allow a user to view various information in connection with execution of the instructions. The user input device(s) may be provided, for example, to allow the user to make manual adjustments, make selections, enter data or various other information, and/or interact in any of a variety of manners with the processor during execution of the instructions.

[0111] The various methods or processes outlined herein may be coded as software that is executable on one or more processors that employ any one of a variety of operating systems or platforms. Additionally, such software may be written using any of a number of suitable programming languages and/or programming or scripting tools, and also may be compiled as executable machine language code or intermediate code that is executed on a framework or virtual machine.

[0112] In this respect, various inventive concepts may be embodied as a computer readable storage medium (or multiple computer readable storage media) (e.g., a computer memory, one or more floppy discs, compact discs, optical discs, magnetic tapes, flash memories, circuit configurations in Field Programmable Gate Arrays or other semiconductor devices, or other non-transitory medium or tangible computer storage medium) encoded with one or more programs that, when executed on one or more computers or other processors, perform methods that implement the various embodiments of the invention discussed above. The computer readable medium or media can be transportable, such that the program or programs stored thereon can be loaded onto one or more different computers or other processors to implement various aspects of the present invention as discussed above.

[0113] The terms "program" or "software" are used herein in a generic sense to refer to any type of computer code or set of computer-executable instructions that can be employed to program a computer or other processor to implement various aspects of embodiments as discussed above. Additionally, it should be appreciated that according to one aspect, one or more computer programs that when executed perform methods of the present invention need not reside on a single computer or processor, but may be distributed in a modular fashion amongst a number of different computers or processors to implement various aspects of the present invention.

[0114] Computer-executable instructions may be in many forms, such as program modules, executed by one or more computers or other devices. Generally, program modules include routines, programs, objects, components, data structures, etc. that perform particular tasks or implement particular abstract data types. Typically the functionality of the program modules may be combined or distributed as desired in various embodiments.

[0115] Also, data structures may be stored in computer-readable media in any suitable form. For simplicity of illustration, data structures may be shown to have fields that are related through location in the data structure. Such relationships may likewise be achieved by assigning storage for the fields with locations in a computer-readable medium that convey relationship between the fields. However, any suitable mechanism may be used to establish a relationship between information in fields of a data structure, including through the use of pointers, tags or other mechanisms that establish relationship between data elements.

[0116] Also, various inventive concepts may be embodied as one or more methods, of which an example has been provided. The acts performed as part of the method may be ordered in any suitable way. Accordingly, embodiments may be constructed in which acts are performed in an order different than illustrated, which may include performing some acts simultaneously, even though shown as sequential acts in illustrative embodiments.

[0117] All definitions, as defined and used herein, should be understood to control over dictionary definitions, definitions in documents referred to herein, and/or ordinary meanings of the defined terms.

[0118] The indefinite articles “a” and “an,” as used herein in the specification and in the claims, unless clearly indicated to the contrary, should be understood to mean “at least one.”

[0119] The phrase “and/or,” as used herein in the specification and in the claims, should be understood to mean “either or both” of the elements so conjoined, i.e., elements that are conjunctively present in some cases and disjunctively present in other cases. Multiple elements listed with “and/or” should be construed in the same fashion, i.e., “one or more” of the elements so conjoined. Other elements may optionally be present other than the elements specifically identified by the “and/or” clause, whether related or unrelated to those elements specifically identified. Thus, as a non-limiting example, a reference to “A and/or B”, when used in conjunction with open-ended language such as “comprising” can refer, in one embodiment, to A only (optionally including elements other than B); in another embodiment, to B only (optionally including elements other than A); in yet another embodiment, to both A and B (optionally including other elements); etc.

[0120] As used herein in the specification and in the claims, “or” should be understood to have the same meaning as “and/or” as defined above. For example, when separating items in a list, “or” or “and/or” shall be interpreted as being inclusive, i.e., the inclusion of at least one, but also including more than one, of a number or list of elements, and, optionally, additional unlisted items. Only terms clearly indicated to the contrary, such as “only one of” or “exactly one of,” or, when used in the claims, “consisting of,” will refer to the inclusion of exactly one element of a number or list of elements. In general, the term “or” as used herein shall only be interpreted as indicating exclusive alternatives (i.e. “one or the other but not both”) when preceded by terms of exclusivity, such as “either,” “one of,” “only one of,” or “exactly one of.” “Consisting essentially of,” when used in the claims, shall have its ordinary meaning as used in the field of patent law.

[0121] As used herein in the specification and in the claims, the phrase “at least one,” in reference to a list of one or more elements, should be understood to mean at least one element selected from any one or more of the elements in the list of elements, but not necessarily including at least one of each and every element specifically listed within the list of elements and

not excluding any combinations of elements in the list of elements. This definition also allows that elements may optionally be present other than the elements specifically identified within the list of elements to which the phrase “at least one” refers, whether related or unrelated to those elements specifically identified. Thus, as a non-limiting example, “at least one of A and B” (or, equivalently, “at least one of A or B,” or, equivalently “at least one of A and/or B”) can refer, in one embodiment, to at least one, optionally including more than one, A, with no B present (and optionally including elements other than B); in another embodiment, to at least one, optionally including more than one, B, with no A present (and optionally including elements other than A); in yet another embodiment, to at least one, optionally including more than one, A, and at least one, optionally including more than one, B (and optionally including other elements); etc.

[0122] In the claims, as well as in the specification above, all transitional phrases such as “comprising,” “including,” “carrying,” “having,” “containing,” “involving,” “holding,” “composed of,” and the like are to be understood to be open-ended, i.e., to mean including but not limited to. Only the transitional phrases “consisting of” and “consisting essentially of” shall be closed or semi-closed transitional phrases, respectively, as set forth in the United States Patent Office Manual of Patent Examining Procedures, Section 2111.03.

[0123] What is claimed is:

CLAIMS

1. A system for providing variable illumination to an environment, the system comprising:

at least one digital control ready (DCR) lighting fixture, disposed in a first location of the environment, to provide the variable illumination to at least a portion of the environment, the at least one DCR lighting fixture comprising:

a fixture housing;

at least one light source, in mechanical association with the fixture housing, to generate the variable illumination in response to at least one digital control signal;

at least one light source driver, in mechanical association with the fixture housing and operably coupled to the at least one light source, to power the at least one light source according to the at least one digital control signal;

an alternating current (AC) power input, in mechanical association with the fixture housing and operably coupled to the at least one light source driver, to provide AC power to the at least one light source driver;

a power converter, in mechanical association with the fixture housing and operably coupled to the AC power input, to convert the AC power to direct current (DC) power at a voltage of less than or equal to +60 V;

a power meter, in mechanical association with the fixture housing and operably coupled to at least one of the at least one light source driver, the AC power input, and the power converter, to measure power consumption of the at least one DCR lighting fixture;

and

a fixture input/output bus, in mechanical association with the fixture housing and operably coupled to the at least one light source, the power converter, and the power meter, to receive the at least one digital control signal and to provide at least a portion of the

DC power and at least one digital reporting signal representative of at least one of the power consumption and a light output of the at least one DCR lighting fixture; and

at least one digital light agent (DLA), disposed in a second location of the environment and operably coupled to the at least one DCR lighting fixture, to control the at least one DCR lighting fixture in response to at least one change in the environment, the at least one DLA comprising:

a DLA housing;

at least one sensor, in mechanical association with the DLA housing, to provide at least one sensor signal representative of the at least one change in the environment;

a memory, in mechanical association with the DLA housing, to store at least one rule governing a change in the variable illumination provided by the at least one DCR lighting fixture based at least in part on the at least one change in the environment;

a processor, in mechanical association with the DLA housing and operably coupled to the at least one sensor and to the memory, to generate the at least one digital control signal based on the at least one rule and the at least one sensor signal; and

a DLA input/output bus, in mechanical association with the DLA housing and operably coupled to the processor, to receive the portion of the DC power and the at least one digital reporting signal from the at least one DCR lighting fixture and to provide the at least one digital control signal to the at least one DCR lighting fixture; and

a network interface, in mechanical association with the DLA housing and operably coupled to the processor, to provide data representative of at least one of the

at least one digital reporting signal, the at least one digital control signal, and the at least one sensor signal to a user; wherein the at least one DCR lighting fixture further comprises:

a first DCR lighting fixture operably coupled to the at least one DLA via a first cable; and

a second DCR lighting fixture operably coupled to the at least one DLA via a second cable coupled to the first DCR lighting fixture.

2. The system of claim 1, wherein the at least one DCR lighting fixture further comprises:

a third DCR lighting fixture operably coupled to the at least one DLA via a third cable coupled to the second DCR lighting fixture.

3. The system of claim 1, wherein the first cable is configured to carry digital control signals from the DLA to the first DCR lighting fixture, which is configured to act on commands that affect its operating state and to transmit commands addressed to other fixtures including at least the second DCR lighting fixture down a daisy chain via other cables including at least the second cable.

4. The system of claim 1, wherein the power converter provides the at least a portion of the DC power at a voltage that is less than or equal to +40 VDC.

5. The system of claim 1, wherein the power converter provides the at least a portion of the DC power at a voltage that is about +12 VDC to about +24 VDC.

6. The system of claim 1, wherein the at least one digital reporting signal comprises information representing at least one of the power consumption, energy consumption, AC power quality, color temperature, light intensity, and temperature associated with the at least one DCR lighting fixture.

7. The system of claim 1, wherein the fixture input/output bus and the DLA input/output bus each comprise:

- a respective power port for the portion of the DC power;
- a respective common port for a reference voltage level; and
- at least one respective data port for the at least one digital reporting signal and the at least one digital control signal.

8. The system of claim 1, wherein the fixture input/output bus and the DLA input/output bus are each compatible with at least one of a local interconnect network (LIN) standard,

- a controller area network (CAN) standard, a KNX standard, and a digital addressable lighting interface (DALI) standard.

9. The system of claim 1, wherein the at least one sensor comprises at least one of an occupancy sensor, a temperature sensor, an ambient light level sensor, and a clock.

10. The system of claim 1, wherein the network interface is configured to communicate via a wireless link.

11. The system of claim 1, further comprising:

at least one cable connecting the fixture input/output bus to the DLA input/output bus.

12. The system of claim 11, wherein the at least one cable comprises at least one of a local interconnect network (LIN) cable, a controller area network (CAN) cable, a KNX cable, and a digital addressable lighting interface (DALI) cable.

13. The system of any one of claims 1 to 12, wherein the at least one light source comprises at least one light-emitting diode (LED) and the at least one light source driver comprises at least one LED driver.

14. The system of claim 1, wherein the fixture input/output bus comprises:

(i) a power port to provide DC power at the voltage of less than or equal to +40V;

(ii) a common port to provide a reference voltage level; and

(iii) at least one data port to receive the at least one digital control signal and to

provide at least one digital reporting signal representative of the power consumption of the DCR lighting fixture.

15. The system of claim 1, wherein the at least one DCR lighting fixture further comprises:

at least one sensor, in mechanical association with the fixture housing, to measure at least one fixture parameter; and

a processor, in mechanical association with the fixture housing and operably coupled to the at least one light source driver and the fixture input/output bus, to transmit a measurement signal representative of the at least one fixture parameter via the

fixture input/output bus, and, optionally, wherein the at least one fixture parameter comprises at least one of a temperature of the at least one light source, a bias voltage of the at least one light source, an operating current of the at least one light source, a color temperature of the at least one light source, and a color of the at least one light source.

100

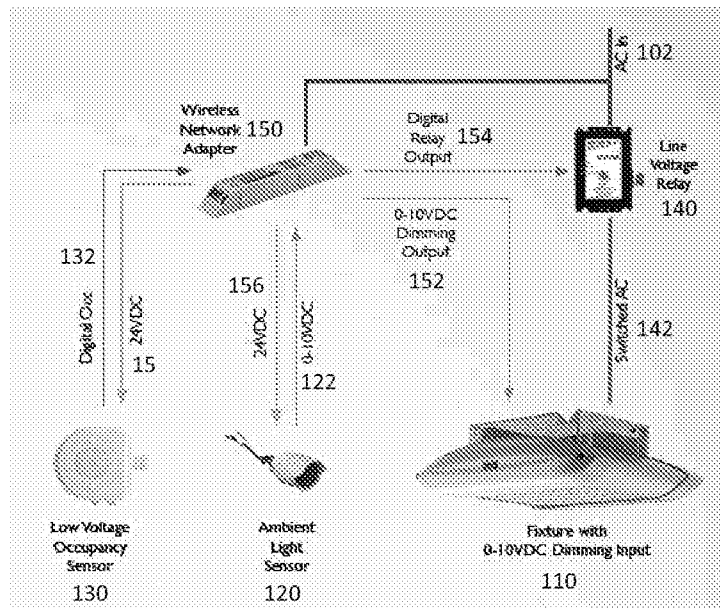


FIG. 1

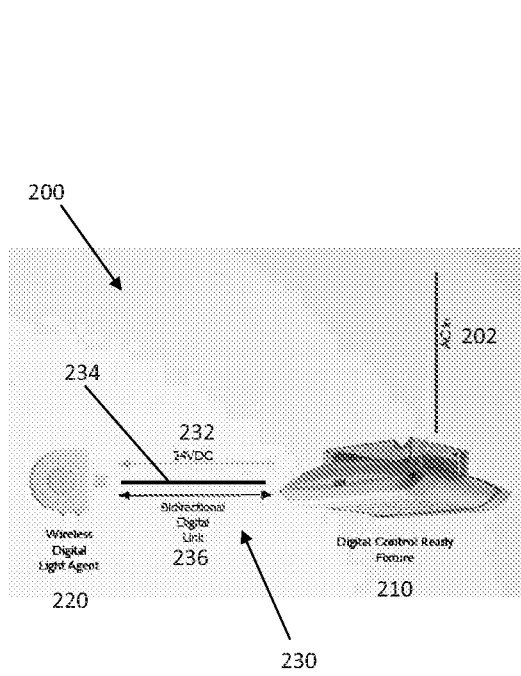


FIG. 2A

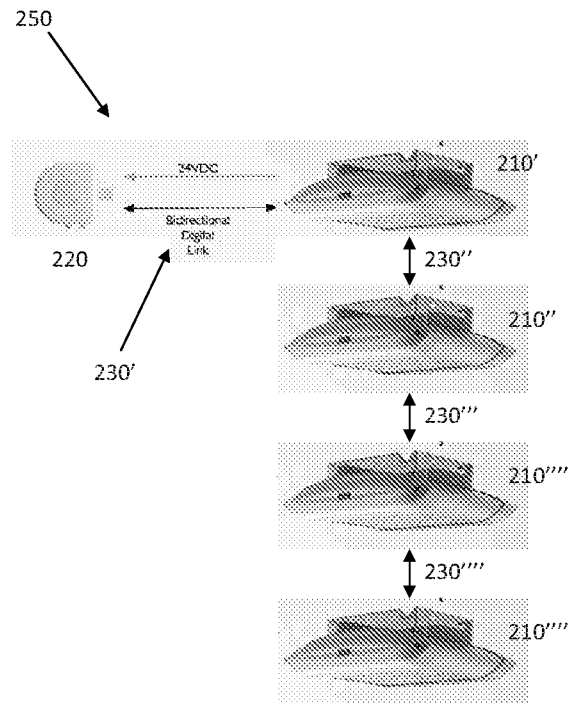


FIG. 2B

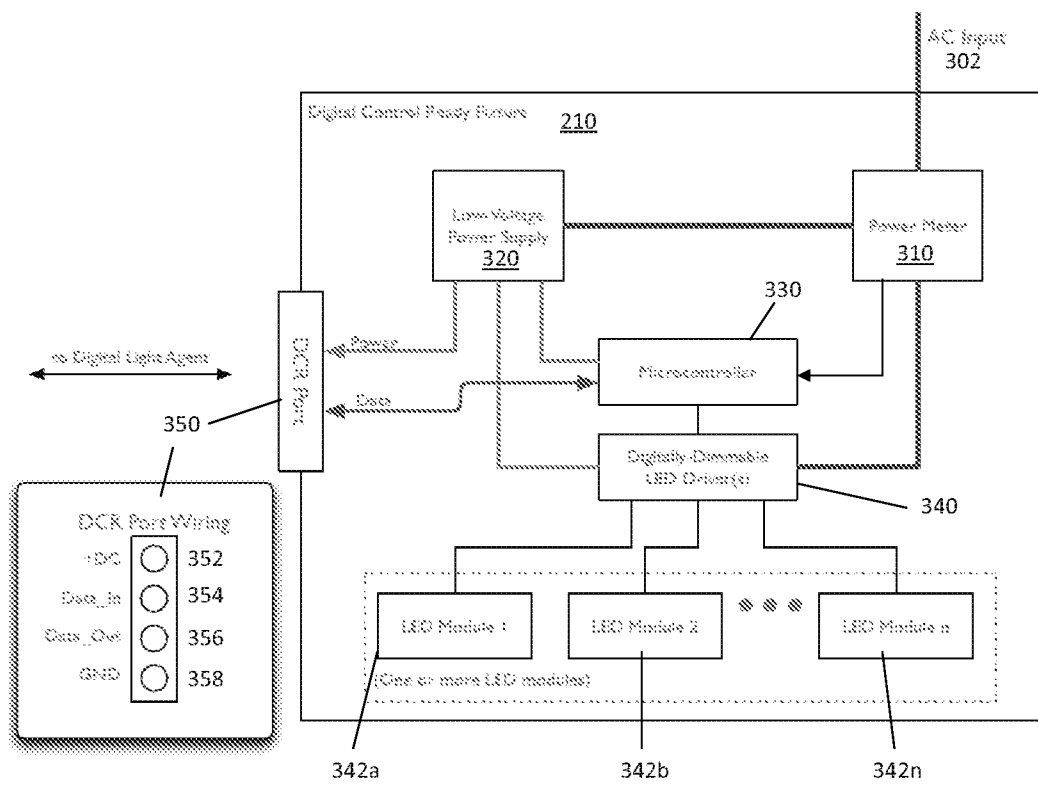


FIG. 3

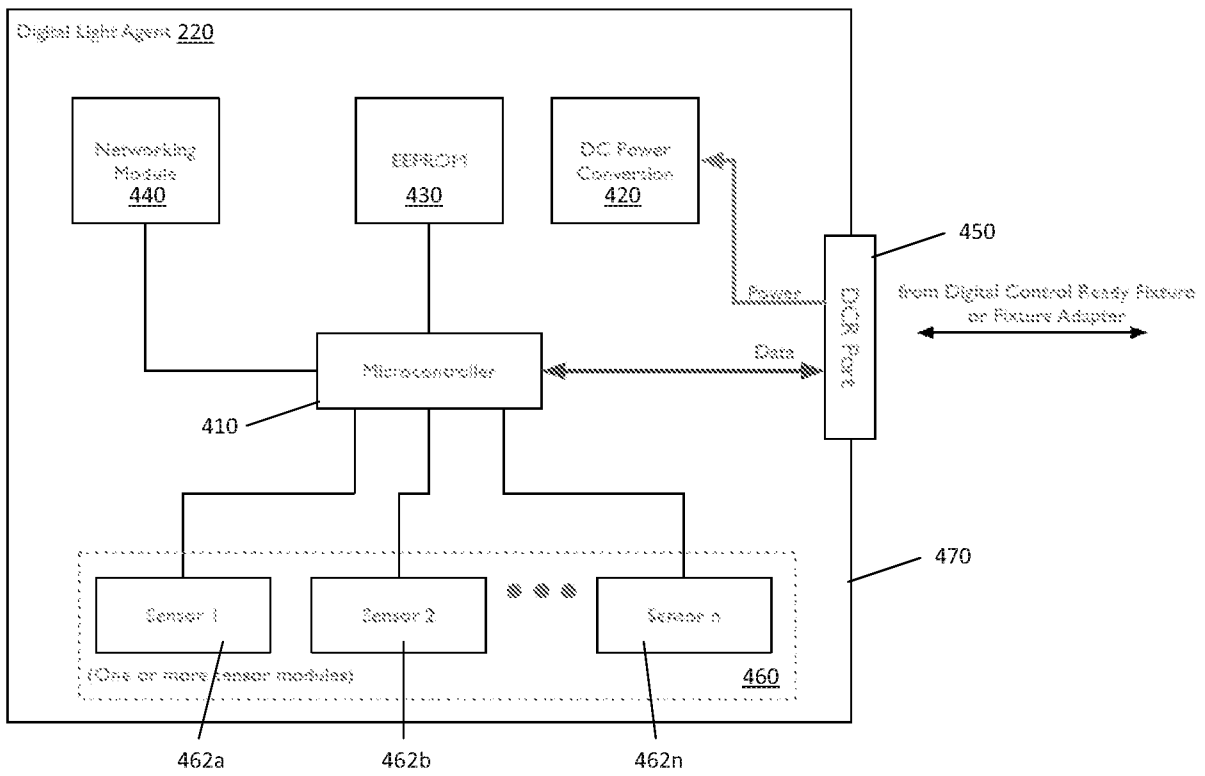


FIG. 4

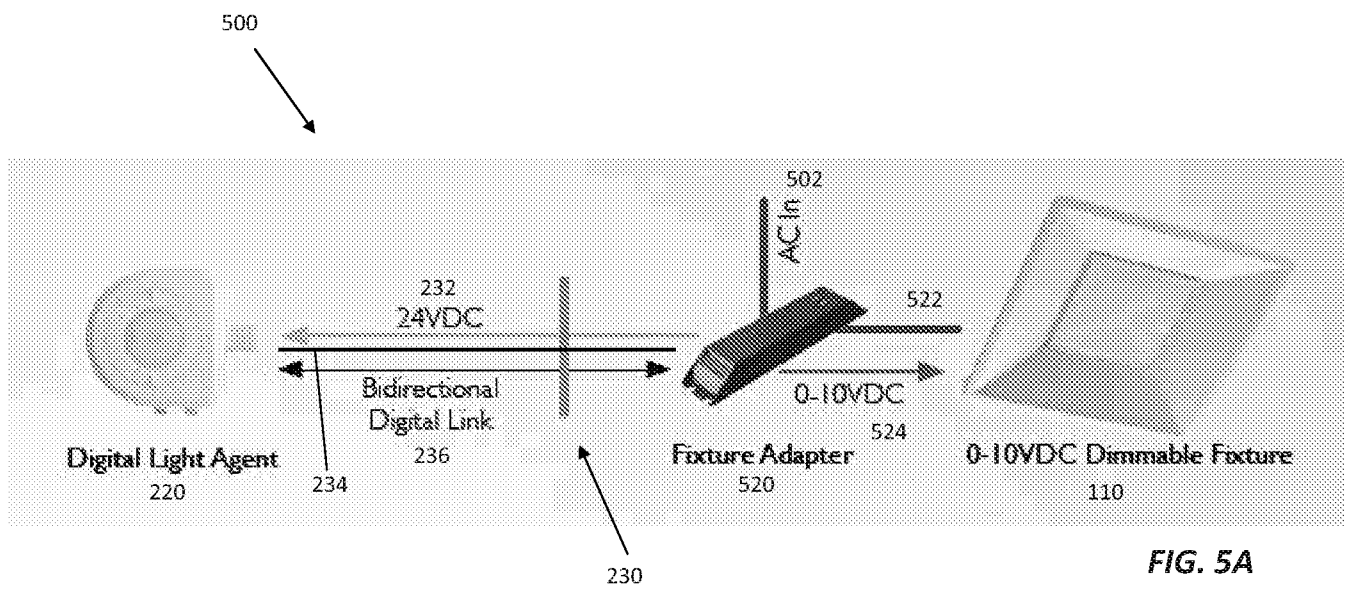


FIG. 5A

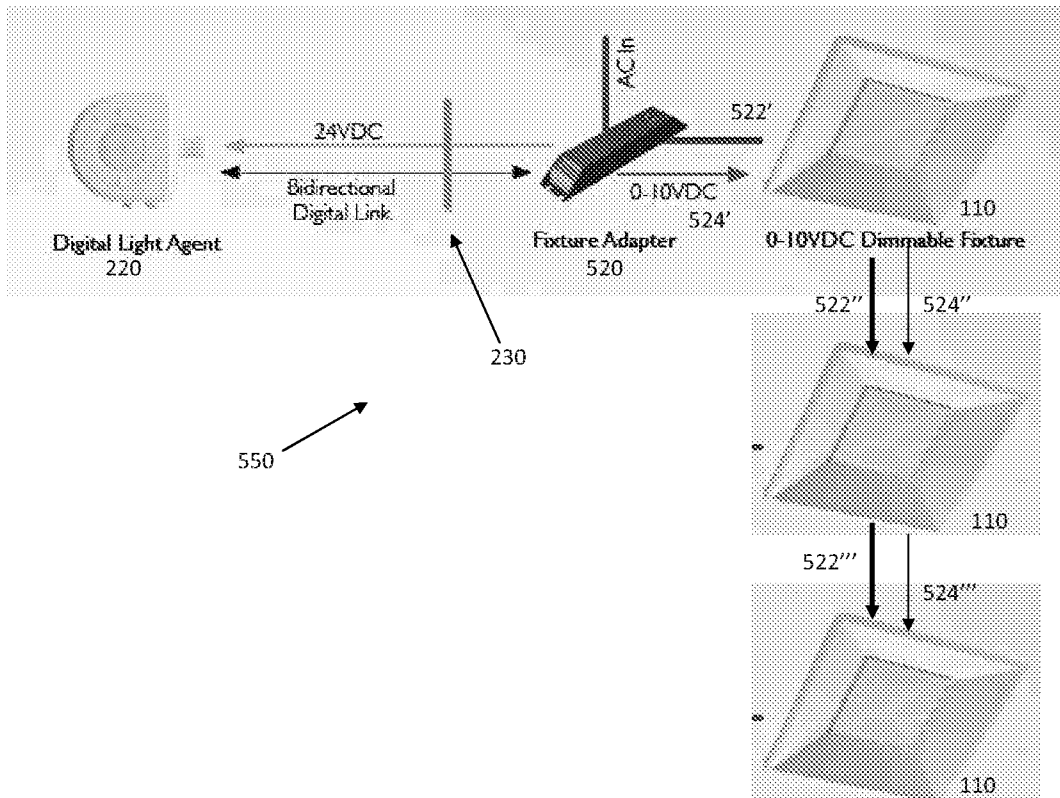


FIG. 5B

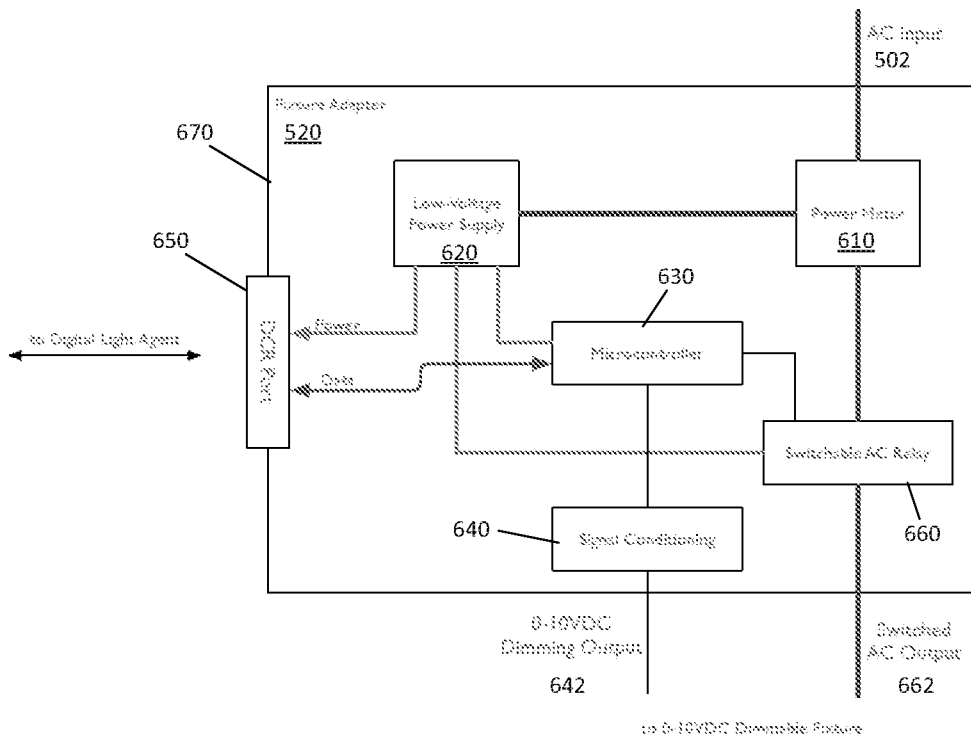


FIG. 6

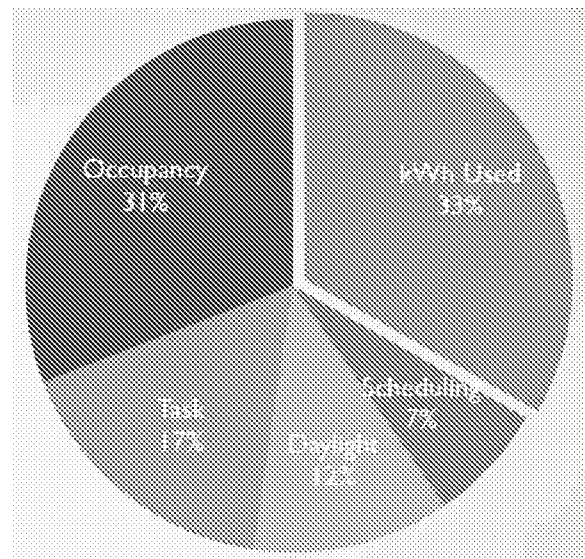
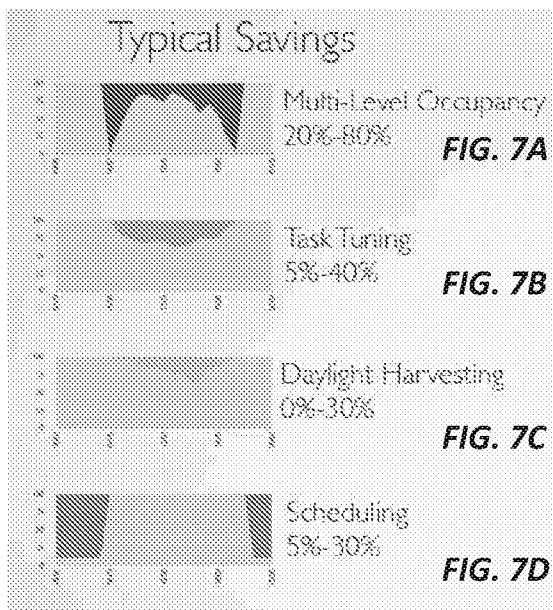
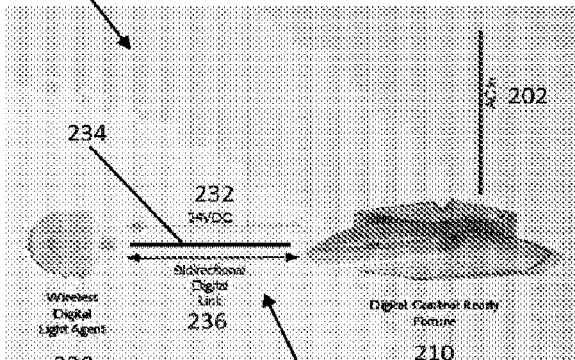


FIG. 8

200



230