

(19) World Intellectual Property Organization  
International Bureau



(43) International Publication Date  
11 October 2007 (11.10.2007)

PCT

(10) International Publication Number  
**WO 2007/115155 A3**

(51) International Patent Classification:  
B22D 11/00 (2006.01)

(21) International Application Number:  
PCT/US2007/065618

(22) International Filing Date: 30 March 2007 (30.03.2007)

(25) Filing Language: English

(26) Publication Language: English

(30) Priority Data:  
60/787,419 30 March 2006 (30.03.2006) US

(71) Applicant (for all designated States except US): **Z F GROUP NAO** [US/US]; 15811 Centennial Drive, Northville, MI 48167 (US).

(72) Inventors; and

(75) Inventors/Applicants (for US only): **DEARING, Daniel** [US/US]; 3605 Lonwood, Royal Oak, MI 48073 (US). **HOLMES, Eric** [US/US]; 2030 Norfolk, Ann Arbor, MI 48103 (US). **FISCHER, Markus** [US/US]; 40241 Fairway Iii, Northville, MI 48167 (US).

(74) Agents: **BANCROFT, Martin, S.** et al.; Gifford, Krass, Sprinkle, Anderson & Citkowski, P.C., 2701 Troy Center Drive, Suite 300, P.O. Box 7021, Troy, MI 48007-7021 (US).

(81) Designated States (unless otherwise indicated, for every kind of national protection available): AE, AG, AL, AM, AT, AU, AZ, BA, BB, BG, BH, BR, BW, BY, BZ, CA, CH, CN, CO, CR, CU, CZ, DE, DK, DM, DZ, EC, EE, EG, ES, FI, GB, GD, GE, GH, GM, GT, HN, HR, HU, ID, IL, IN, IS, JP, KE, KG, KM, KN, KP, KR, KZ, LA, LC, LK, LR, LS, LT, LU, LY, MA, MD, MG, MK, MN, MW, MX, MY, MZ, NA, NG, NI, NO, NZ, OM, PG, PH, PL, PT, RO, RS, RU, SC, SD, SE, SG, SK, SL, SM, SV, SY, TJ, TM, TN, TR, TT, TZ, UA, UG, US, UZ, VC, VN, ZA, ZM, ZW.

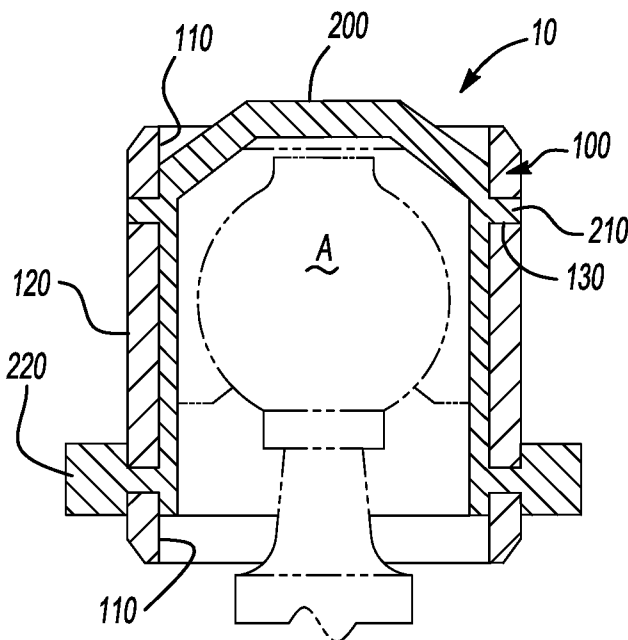
(84) Designated States (unless otherwise indicated, for every kind of regional protection available): ARIPO (BW, GH, GM, KE, LS, MW, MZ, NA, SD, SL, SZ, TZ, UG, ZM, ZW), Eurasian (AM, AZ, BY, KG, KZ, MD, RU, TJ, TM), European (AT, BE, BG, CH, CY, CZ, DE, DK, EE, ES, FI, FR, GB, GR, HU, IE, IS, IT, LT, LU, LV, MC, MT, NL, PL, PT, RO, SE, SI, SK, TR), OAPI (BF, BJ, CF, CG, CI, CM, GA, GN, GQ, GW, ML, MR, NE, SN, TD, TG).

**Published:**

- with international search report
- before the expiration of the time limit for amending the claims and to be republished in the event of receipt of amendments

(88) Date of publication of the international search report:  
24 April 2008

(54) Title: METHOD OF MAKING A MULTILAYERED DUPLEX MATERIAL ARTICLE



(57) Abstract: Disclosed is a method for manufacturing a multilayered duplex material article. The method comprises providing a first layer from a non-cast material and a second layer from a cast material wherein the second layer is made from a material with a lower melting point than the first layer. In one embodiment the first layer is a wrought alloy and the second layer is cast onto the first layer.

WO 2007/115155 A3

## INTERNATIONAL SEARCH REPORT

International application No.

PCT/US 07/65618

## A. CLASSIFICATION OF SUBJECT MATTER

IPC(8) - B22D 11/00 (2007.10)

USPC - 164/271

According to International Patent Classification (IPC) or to both national classification and IPC

## B. FIELDS SEARCHED

Minimum documentation searched (classification system followed by classification symbols)

IPC(8) - B22D 11/00 (2007.10)

USPC - 164/271

Documentation searched other than minimum documentation to the extent that such documents are included in the fields searched  
USPC: 164/417; 418; 421; 423 (search terms below)

Electronic data base consulted during the international search (name of data base and, where practicable, search terms used)

PubWEST, Google Patents Database, Google Scholar Database

(multilayer, duplex, cast, melting point, layer, wrought, alloy, steel, aperture, spacer, socket, weld, bracket, sand, injection, die)

## C. DOCUMENTS CONSIDERED TO BE RELEVANT

Category*	Citation of document, with indication, where appropriate, of the relevant passages	Relevant to claim No.
Y	US 6,544,357 B1 (Hehmann, et al.) 04 Aug 2003 (04.08.2003) column 1, line 29-31, column 2, line 56-59, column 6, line 28-31, line 66-67, column 7, line 1-3, column 11, line 35, column 15, line 18-23, column 19, line 55-59, column 46, line 4, column 49, line 48-66, column 111, line 20-24, column 115, line 60-63, column 205, line 12-29, column 212, line 47-60, column 213, line 15-19	1-19
Y	US 4,850,802 A (Pankratz, et al.) 25 Jul 1989 (25.07.1989) column 3, line 51-53, column 7, line 2	1-19
Y	US 3,922,044 A (BUCALO) 25 November 1975 (25.11.1975), entire document	9, 11
Y	US 6,705,848 B2 (Scancarello) 16 Mar 2004 (16.03.2004) column 8, line 59-65	15

 Further documents are listed in the continuation of Box C.

\* Special categories of cited documents:

"A" document defining the general state of the art which is not considered to be of particular relevance

"E" earlier application or patent but published on or after the international filing date

"L" document which may throw doubts on priority claim(s) or which is cited to establish the publication date of another citation or other special reason (as specified)

"O" document referring to an oral disclosure, use, exhibition or other means

"P" document published prior to the international filing date but later than the priority date claimed

"T" later document published after the international filing date or priority date and not in conflict with the application but cited to understand the principle or theory underlying the invention

"X" document of particular relevance; the claimed invention cannot be considered novel or cannot be considered to involve an inventive step when the document is taken alone

"Y" document of particular relevance; the claimed invention cannot be considered to involve an inventive step when the document is combined with one or more other such documents, such combination being obvious to a person skilled in the art

"&amp;" document member of the same patent family

Date of the actual completion of the international search

24 Oct 2007 (24.10.2007)

Date of mailing of the international search report

15 FEB 2008

Name and mailing address of the ISA/US

Mail Stop PCT, Attn: ISA/US, Commissioner for Patents

P.O. Box 1450, Alexandria, Virginia 22313-1450

Facsimile No. 571-273-3201

Authorized officer:

Lee W. Young

PCT Helpdesk: 571-272-4300

PCT OSP: 571-272-7774