



US00D737145S

(12) **United States Design Patent**  
**Boon et al.**

(10) **Patent No.:** **US D737,145 S**

(45) **Date of Patent:** **\*\* Aug. 25, 2015**

(54) **BOTTLE**

(71) Applicant: **PepsiCo, Inc.**, Purchase, NY (US)

(72) Inventors: **Yen Heng Boon**, Shanghai (CN);  
**Michael He Lian Hui**, Shanghai (CN)

(73) Assignee: **PepsiCo, Inc.**, Purchase, NY (US)

(\*\*) Term: **14 Years**

(21) Appl. No.: **29/450,110**

(22) Filed: **Mar. 15, 2013**

(51) **LOC (10) Cl.** ..... **09-01**

(52) **U.S. Cl.**  
USPC ..... **D9/538; D9/540; D9/552; D9/553;**  
**D9/571**

(58) **Field of Classification Search**

USPC ..... **D9/516, 530, 537-543, 549, 552-553,**  
**D9/558-559, 571, 575, 667, 715, 719;**  
**215/379, 381-383; 220/660, 669, 675**  
CPC ..... **B65D 1/00; B65D 1/02; B65D 1/0223;**  
**B65D 23/00; B65D 81/00; B65D 2501/00;**  
**B65D 2501/0009**

See application file for complete search history.

(56) **References Cited**

**U.S. PATENT DOCUMENTS**

D350,457 S	9/1994	Bailey
D379,154 S	5/1997	Cox
D389,744 S	1/1998	Noe et al.
5,704,504 A	1/1998	Bueno
D399,431 S	10/1998	de Baschmakoff
D420,291 S	2/2000	Gnann et al.
D425,796 S	5/2000	Duranthon
D428,813 S	8/2000	Haley
D429,166 S	8/2000	Ogg
D430,456 S	9/2000	Thuma
D431,735 S	10/2000	Sullivan
D437,774 S	2/2001	Piccioli et al.

D438,099 S	2/2001	Piccioli et al.
D438,455 S	3/2001	Bretz et al.
D441,641 S	5/2001	Piccioli et al.
D444,701 S	7/2001	Zboch et al.
D446,112 S	8/2001	Bretz et al.
D449,980 S	11/2001	Piccioli et al.
D459,231 S	6/2002	Crawford et al.
D459,232 S	6/2002	Crawford et al.
D466,020 S	11/2002	Crawford et al.
D466,415 S	12/2002	Reis
D484,805 S	1/2004	Colangelo et al.
D486,067 S	2/2004	Colangelo et al.
D503,341 S	3/2005	Delmotte
D504,617 S	* 5/2005	Pedmo et al. .... D9/541
D504,618 S	5/2005	Bretz et al.
D506,931 S	7/2005	Delmotte
D507,490 S	7/2005	Mero et al.
D512,325 S	12/2005	Bretz et al.
D515,427 S	2/2006	Schuller et al.
D521,868 S	5/2006	Arima
D524,165 S	7/2006	Scott

(Continued)

*Primary Examiner* — Dana L Meyrow

(74) *Attorney, Agent, or Firm* — Banner & Witcoff, Ltd.

(57) **CLAIM**

The ornamental design for a bottle, as shown and described.

**DESCRIPTION**

FIG. 1 is a top, front, right perspective view of a bottle showing our new design;

FIG. 2 is a right view thereof;

FIG. 3 is a front view thereof;

FIG. 4 is a left view thereof;

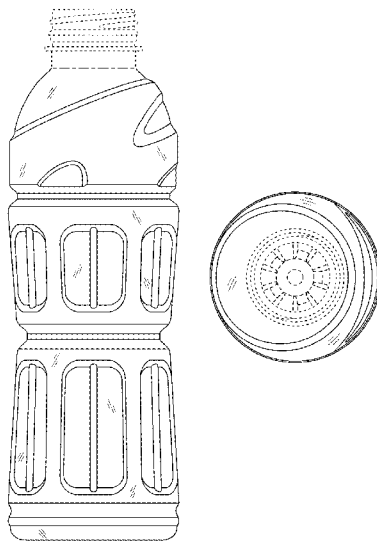
FIG. 5 is a rear view thereof;

FIG. 6 is a top view thereof; and,

FIG. 7 is a bottom view thereof.

The evenly dashed broken lines in the drawings illustrate the portions of the design that form no part of the claim. The dot-dash broken lines in the drawings define the bounds of the claim and form no part thereof.

**1 Claim, 6 Drawing Sheets**



(56)

References Cited

U.S. PATENT DOCUMENTS

D528,431 S	9/2006	Brandt et al.	D602,367 S	10/2009	Lepoitevin	
D530,214 S	10/2006	Scott	D602,370 S	10/2009	Bourne	
D530,219 S	10/2006	Brandt et al.	D602,782 S	10/2009	Lepoitevin	
D535,567 S	1/2007	Snyder	D602,783 S	10/2009	Lepoitevin	
D538,658 S	3/2007	Horne et al.	D603,268 S	11/2009	Bourne	
D540,680 S	4/2007	Perry et al.	D603,709 S	11/2009	Lepoitevin	
D545,194 S	6/2007	Goudsblom	D603,711 S	11/2009	Lepoitevin	
D545,203 S	6/2007	Perry et al.	D604,169 S	11/2009	Melossi	
D548,083 S	8/2007	Bourne	D605,947 S	12/2009	Debuire	
D550,096 S	9/2007	Zboch et al.	D608,203 S	1/2010	Yourist	
D552,477 S	10/2007	Hermel	D608,216 S	1/2010	Priore et al.	
D554,513 S	11/2007	Floyd et al.	D608,217 S	1/2010	Priore et al.	
D554,514 S	11/2007	Floyd et al.	D609,105 S	2/2010	Tiefenback	
D555,001 S	11/2007	Perry et al.	D609,108 S	2/2010	George et al.	
D555,003 S	11/2007	Perry et al.	D610,011 S	2/2010	De Pieretti	
D558,578 S	1/2008	Mongeon et al.	D610,913 S	3/2010	Lesueur	
D559,695 S	1/2008	Lesueur	D612,243 S	3/2010	White et al.	
D561,596 S	2/2008	Hyde et al.	D612,733 S	3/2010	Eugui et al.	
D561,597 S	2/2008	Venkataraman et al.	D613,166 S	4/2010	Bentley	
D564,359 S	3/2008	Trollope et al.	D616,762 S	6/2010	Caldwell et al.	
D567,097 S	4/2008	Bourne	D617,647 S	6/2010	Bledsoe et al.	
D567,101 S	4/2008	Pierre	D618,552 S	6/2010	Dabrowski	
D571,667 S	6/2008	Bourne	D620,362 S	7/2010	Boukobza	
D572,135 S	7/2008	Lepoitevin	D621,264 S	8/2010	Williams	
D572,139 S	7/2008	Trollope et al.	D621,711 S	8/2010	Williams	
D573,890 S	7/2008	Mongeon et al.	D622,597 S	8/2010	Dabrowski	
D575,158 S	8/2008	Boon	D623,012 S	9/2010	White et al.	
D575,161 S	8/2008	Lepoitevin	D623,529 S *	9/2010	Yourist et al. ....	D9/538
D576,042 S	9/2008	Dellevigne	D623,950 S	9/2010	Eugui et al.	
D581,285 S	11/2008	Lepoitevin	D623,951 S	9/2010	Eugui et al.	
D581,799 S	12/2008	Bourne	D624,423 S	9/2010	Kissinger et al.	
D582,779 S	12/2008	Bourne	D624,427 S *	9/2010	Yourist et al. ....	D9/538
D582,780 S	12/2008	Bourne	D634,588 S	3/2011	Cook et al.	
D583,243 S	12/2008	Botti et al.	D642,471 S	8/2011	White et al.	
D583,245 S	12/2008	Lepoitevin	D643,735 S	8/2011	Sherwood	
D584,628 S	1/2009	Lepoitevin	D644,927 S	9/2011	White et al.	
D584,629 S	1/2009	Darr et al.	D644,929 S	9/2011	White et al.	
D584,947 S	1/2009	Bourne	D644,930 S	9/2011	White et al.	
D585,700 S	2/2009	Chu	D647,404 S *	10/2011	Yourist et al. ....	D9/538
D589,817 S	4/2009	Shmagin	D647,804 S *	11/2011	Yourist et al. ....	D9/538
D591,156 S	4/2009	George et al.	D651,906 S	1/2012	White et al.	
D591,609 S	5/2009	Shmagin	D652,307 S	1/2012	White et al.	
D591,610 S	5/2009	Shmagin	D652,730 S *	1/2012	Yourist et al. ....	D9/538
D592,063 S	5/2009	Floyd et al.	D653,951 S	2/2012	Scott	
D592,069 S	5/2009	Kruparova	D667,306 S	9/2012	Verea	
D599,671 S	9/2009	Bourne	D670,171 S *	11/2012	Yourist et al. ....	D9/538
D600,559 S	9/2009	Lepoitevin	D670,565 S *	11/2012	Yourist et al. ....	D9/538
D601,031 S	9/2009	Martinez et al.	D682,700 S *	5/2013	White et al. ....	D9/538
7,581,654 B2 *	9/2009	Stowitts ..... 215/383	D705,071 S *	5/2014	Abend et al. ....	D9/538
D601,903 S	10/2009	Lepoitevin	2008/0073315 A1	3/2008	Hermel et al.	
D602,363 S	10/2009	Chaffier	2010/0155359 A1	6/2010	Simon et al.	
			2011/0186538 A1	8/2011	Strasser et al.	

\* cited by examiner

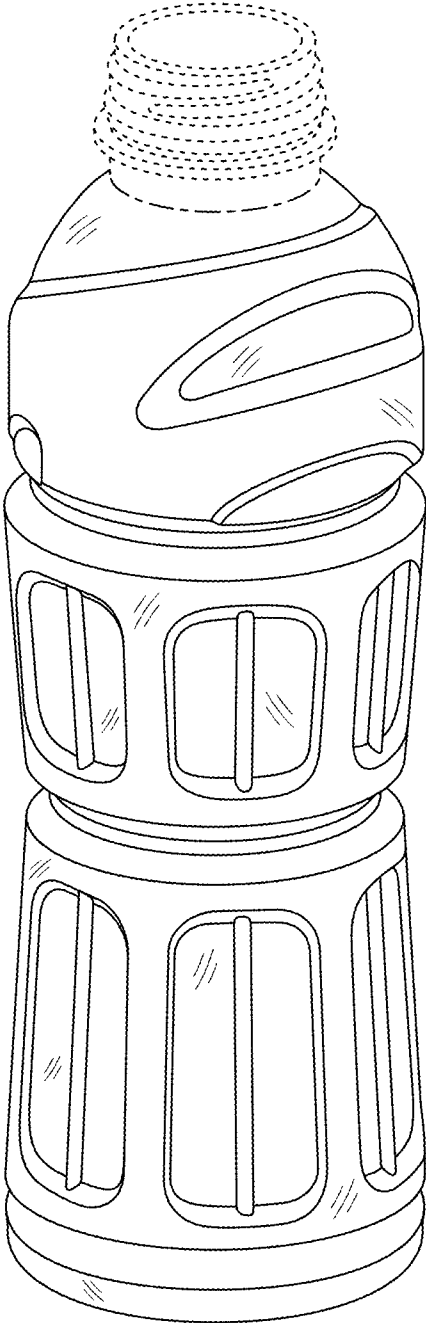


FIG. 1

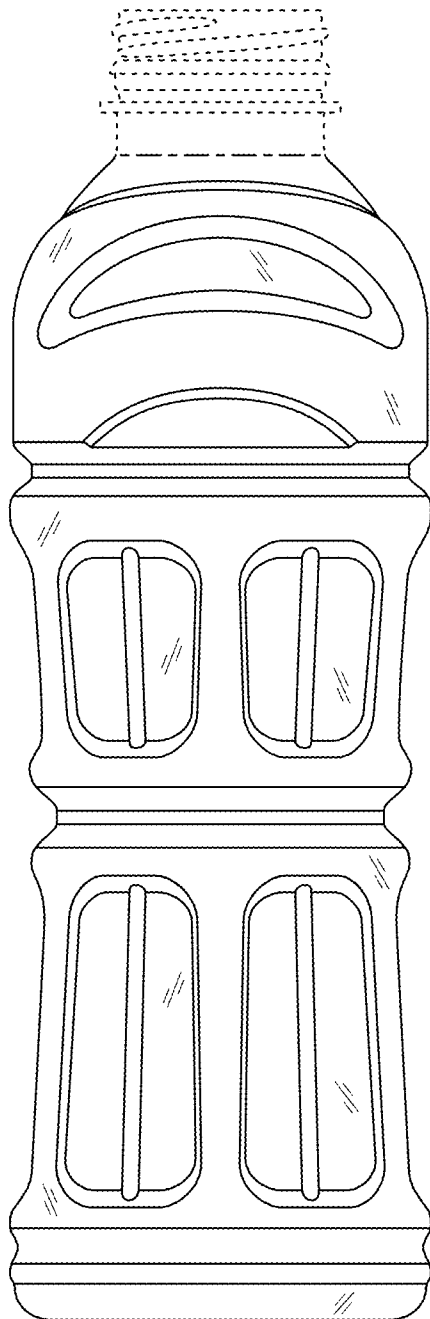


FIG. 2

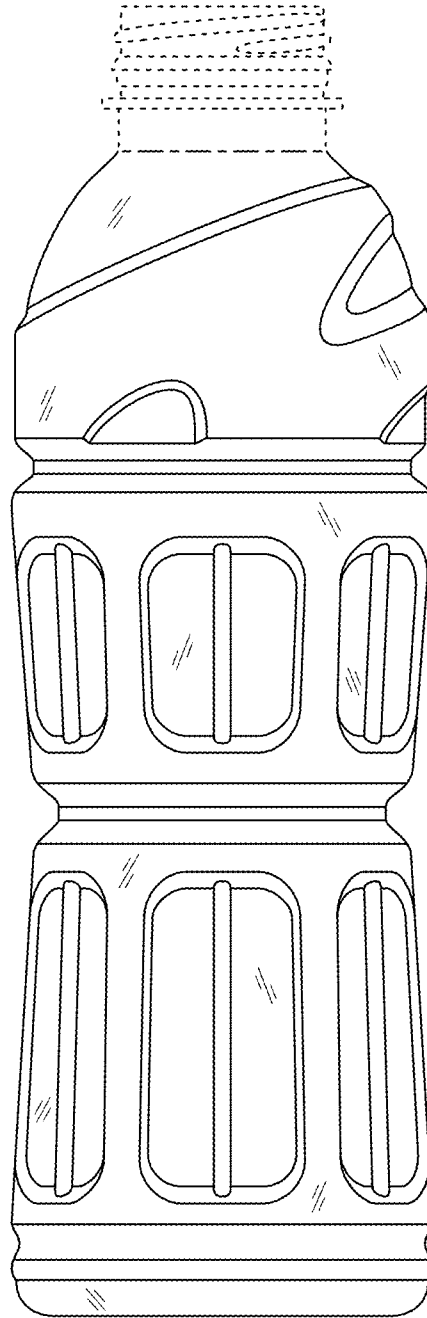


FIG. 3

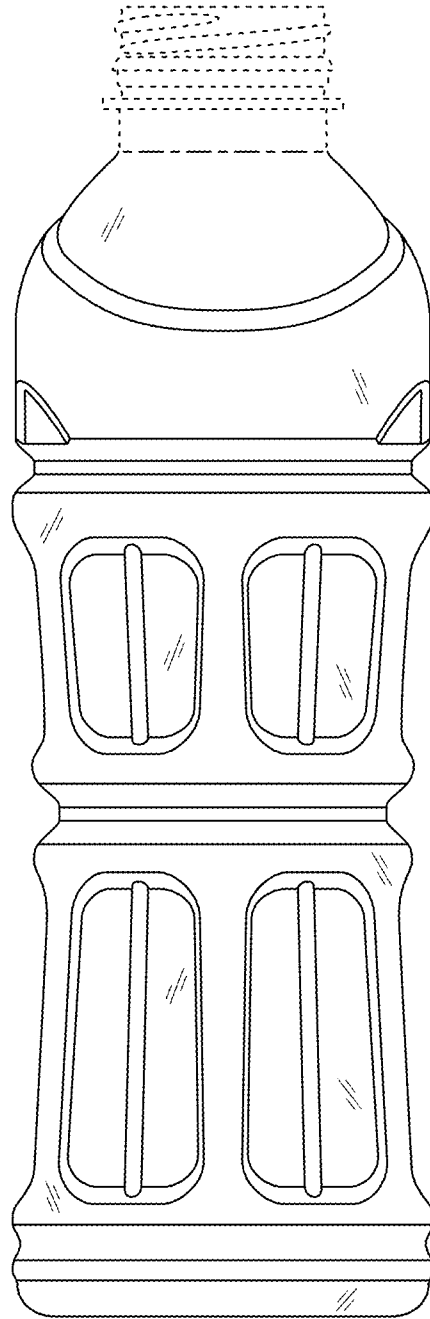


FIG. 4

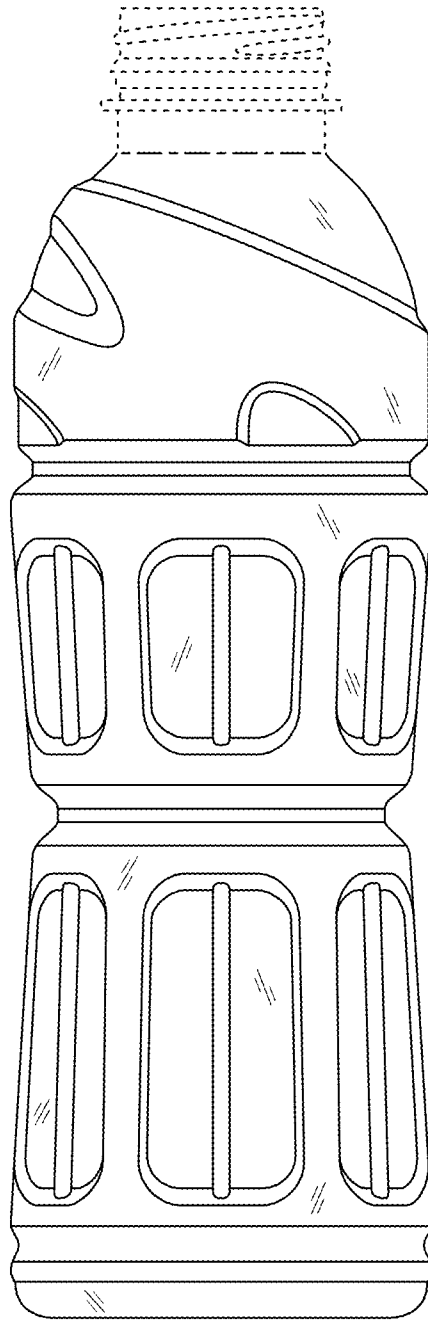


FIG. 5

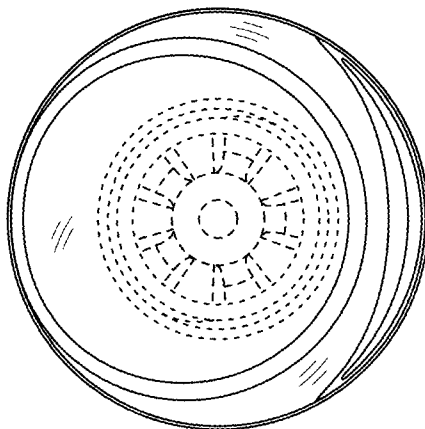


FIG. 6

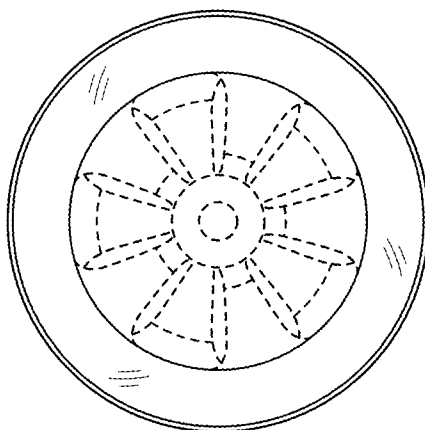


FIG. 7