



- (51) International Patent Classification:
A61B 18/18 (2006.01)
- (21) International Application Number:
PCT/IL2004/000101
- (22) International Filing Date: 3 February 2004 (03.02.2004)
- (25) Filing Language: English
- (26) Publication Language: English
- (30) Priority Data:
10/357,496 4 February 2003 (04.02.2003) US
- (71) Applicant (for all designated States except US): LUMENIS LTD. [IL/IL]; PO Box 240, 20692 Yokneam (IL).
- (72) Inventors; and
- (75) Inventors/Applicants (for US only): ZIMMERMAN, Yotam [IL/IL]; 31 Ha'alon Street, 38244 Hadera (IL). VAYNBERG, Boris [IL/IL]; 48 Bareket Street, 30900 Zichron Ya'akov (IL). AHARONOWITZ, Gal [IL/IL]; 7 Hacalanit Street, 44910 Gan-Haim (IL). IGER, Yoni [IL/IL]; 113A Einstein Street, 34601 Haifa (IL).
- (74) Agents: EITAN, PEARL, LATZER & COHEN-ZEDEK et al.; 7 Shenkar Street, 46725 Herzlia (IL).
- (81) Designated States (unless otherwise indicated, for every kind of national protection available): AE, AG, AL, AM,

AT, AU, AZ, BA, BB, BG, BR, BW, BY, BZ, CA, CH, CN, CO, CR, CU, CZ, DE, DK, DM, DZ, EC, EE, EG, ES, FI, GB, GD, GE, GH, GM, HR, HU, ID, IL, IN, IS, JP, KE, KG, KP, KR, KZ, LC, LK, LR, LS, LT, LU, LV, MA, MD, MG, MK, MN, MW, MX, MZ, NA, NI, NO, NZ, OM, PG, PH, PL, PT, RO, RU, SC, SD, SE, SG, SK, SL, SY, TJ, TM, TN, TR, TT, TZ, UA, UG, US, UZ, VC, VN, YU, ZA, ZM, ZW.

(84) Designated States (unless otherwise indicated, for every kind of regional protection available): ARIPO (BW, GH, GM, KE, LS, MW, MZ, SD, SL, SZ, TZ, UG, ZM, ZW), Eurasian (AM, AZ, BY, KG, KZ, MD, RU, TJ, TM), European (AT, BE, BG, CH, CY, CZ, DE, DK, EE, ES, FI, FR, GB, GR, HU, IE, IT, LU, MC, NL, PT, RO, SE, SI, SK, TR), OAPI (BF, BJ, CF, CG, CI, CM, GA, GN, GQ, GW, ML, MR, NE, SN, TD, TG).

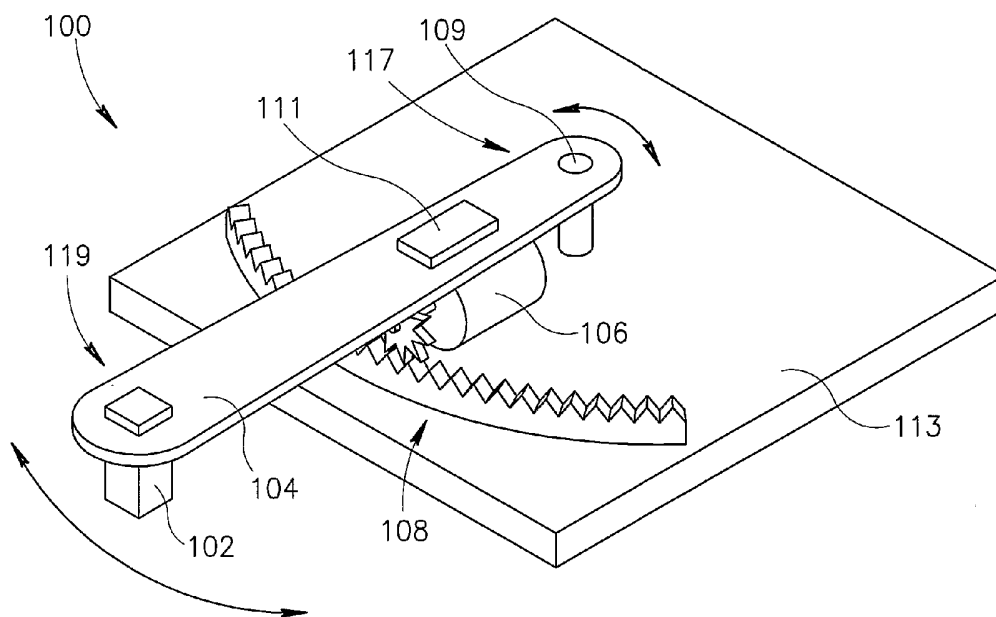
Published:

- with international search report
- before the expiration of the time limit for amending the claims and to be republished in the event of receipt of amendments

(88) Date of publication of the international search report:
17 August 2006

[Continued on next page]

(54) Title: MOVING ENERGY SOURCE



(57) Abstract: A device (100) for moving a therapeutic energy source (102) over an area to be treated including at least one therapeutic energy source adapted to produce therapeutic energy and coupled to a mounting structure (104), and at least one moving unit (106) connected to the mounting structure and adapted to move the mounting structure (104) and the energy source (102) coupled thereto over an area to be exposed to therapeutic energy. In addition, A method of substantially inhibiting hair growth comprising applying to a treatment area electromagnetic energy having a wavelength that is within a specific range and a substantially small spot size, such that at least a portion of the hair bulge is substantially affected, and the dermal papilla is substantially unaffected.

WO 2004/069325 A3

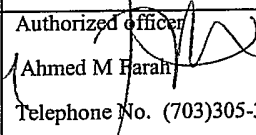


For two-letter codes and other abbreviations, refer to the "Guidance Notes on Codes and Abbreviations" appearing at the beginning of each regular issue of the PCT Gazette.

INTERNATIONAL SEARCH REPORT

International application No.

PCT/IL04/00101

A. CLASSIFICATION OF SUBJECT MATTER IPC(7) : A61B 18/18 US CL : 606/010 According to International Patent Classification (IPC) or to both national classification and IPC		
B. FIELDS SEARCHED Minimum documentation searched (classification system followed by classification symbols) U.S. : 606/009, 010 Documentation searched other than minimum documentation to the extent that such documents are included in the fields searched Electronic data base consulted during the international search (name of data base and, where practicable, search terms used)		
C. DOCUMENTS CONSIDERED TO BE RELEVANT		
Category *	Citation of document, with indication, where appropriate, of the relevant passages	Relevant to claim No.
X --- Y	US 6,090,100 A (Hohla) 18 July 2000 (18.07.2000), see the entire document.	1-3, 4-9, 16, 24-36 ----- 10-15, 17-23 and 37-43
Y,E	US 6,835,202 B2 (Harth et al.) 28 December 2004 (28.12.2004), see Figure 4.	1-7 and 24-26
<input type="checkbox"/> Further documents are listed in the continuation of Box C. <input type="checkbox"/> See patent family annex.		
* Special categories of cited documents:		
"A" document defining the general state of the art which is not considered to be of particular relevance	"T"	later document published after the international filing date or priority date and not in conflict with the application but cited to understand the principle or theory underlying the invention
"E" earlier application or patent published on or after the international filing date	"X"	document of particular relevance; the claimed invention cannot be considered novel or cannot be considered to involve an inventive step when the document is taken alone
"L" document which may throw doubts on priority claim(s) or which is cited to establish the publication date of another citation or other special reason (as specified)	"Y"	document of particular relevance; the claimed invention cannot be considered to involve an inventive step when the document is combined with one or more other such documents, such combination being obvious to a person skilled in the art
"O" document referring to an oral disclosure, use, exhibition or other means		
"P" document published prior to the international filing date but later than the priority date claimed	"&"	document member of the same patent family
Date of the actual completion of the international search	Date of mailing of the international search report	
04 April 2005 (04.04.2005)	28 JUN 2006	
Name and mailing address of the ISA/US Mail Stop PCT, Attn: ISA/US Commissioner for Patents P.O. Box 1450 Alexandria, Virginia 22313-1450 Facsimile No. (703) 305-3230	Authorized officer  Ahmed M Farah Telephone No. (703)305-3590	