



US00D339612S

United States Patent [19]

Carter et al.

[11] Patent Number: **Des. 339,612**

[45] Date of Patent: **** Sep. 21, 1993**

[54] VIDEO GAME FOOT PEDAL CONTROLLER

5,148,152 9/1992 Stueckle et al. 273/148 B X

[75] Inventors: Robert L. Carter, Lake Oswego, Oreg.; Gary L. Moffett, Vancouver, Wash.

OTHER PUBLICATIONS

J. C. Whitney Cat #515 J, Feb. 1990, p. 80, Item #15-6104 X Pedal Pads.

[73] Assignee: Thrustmaster, Inc., Beaverton, Oreg.

Primary Examiner—Bernard Ansher
Assistant Examiner—Prabhakar Deshmukh
Attorney, Agent, or Firm—Marger, Johnson, McCollom & Stollowitz

[**] Term: 14 Years

[21] Appl. No.: 930,343

[57] CLAIM

[22] Filed: Aug. 14, 1992

The ornamental design for a video game foot pedal controller, as shown and described.

[52] U.S. Cl. D21/48

[58] Field of Search D21/13, 48; D12/174; D17/5, 7, 9; D14/114, 217; 273/433-439, 148 B, DIG. 28

DESCRIPTION

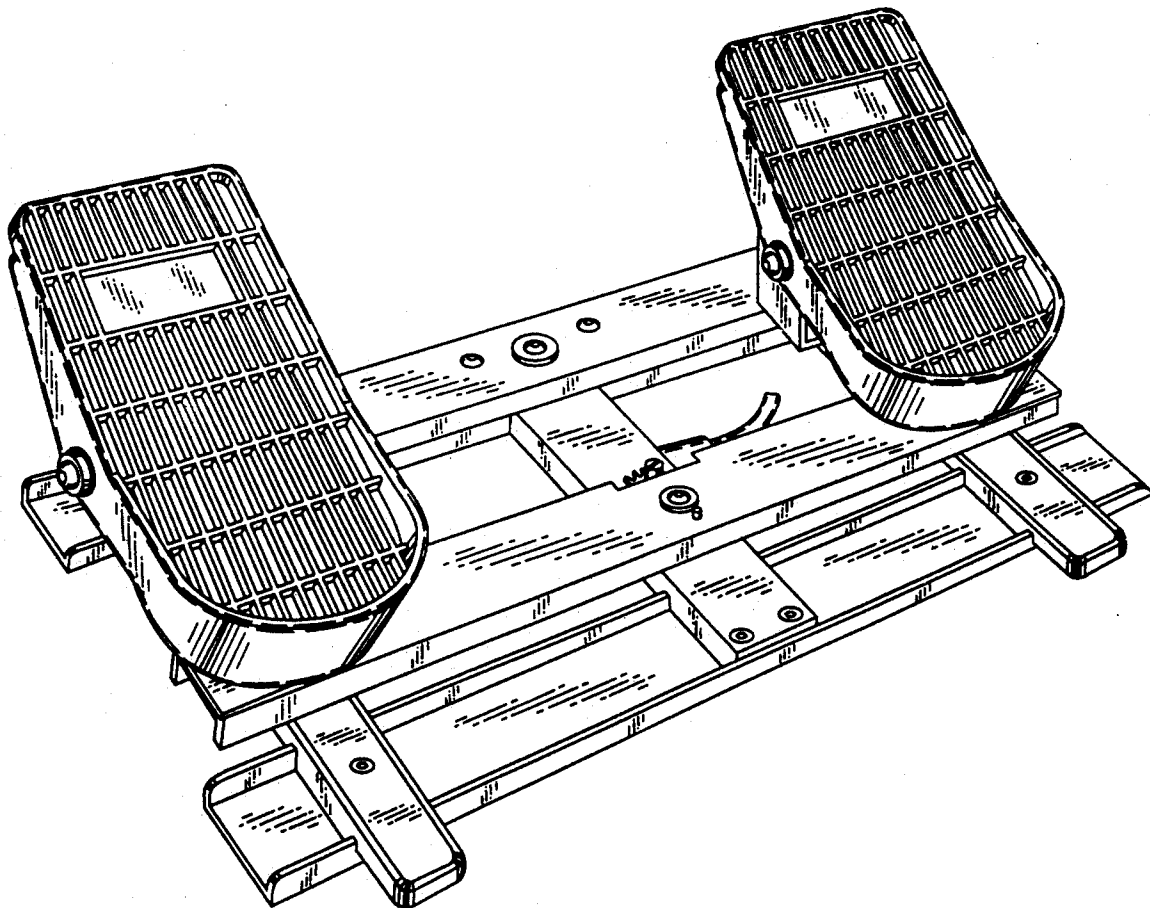
[56] References Cited

U.S. PATENT DOCUMENTS

D. 222,395	10/1971	White	D17/7
D. 260,873	9/1981	Johnson	D12/174
D. 326,117	5/1992	Barr et al.	D21/48
D. 333,324	2/1993	Michael	D21/48
2,078,324	4/1937	Griffiths	D21/174 X
4,630,817	12/1986	Buckley	D73/438 X

FIG. 1 is a top perspective view of a video game foot pedal controller showing our new design; FIG. 2 is a top plan view thereof showing undisclosed sides in FIG. 1;

FIG. 3 is a rear elevational view thereof; FIG. 4 is a front elevational view thereof; FIG. 5 is a right side elevational view thereof; FIG. 6 is a left side elevational view thereof; and, FIG. 7 is a bottom plan view thereof.



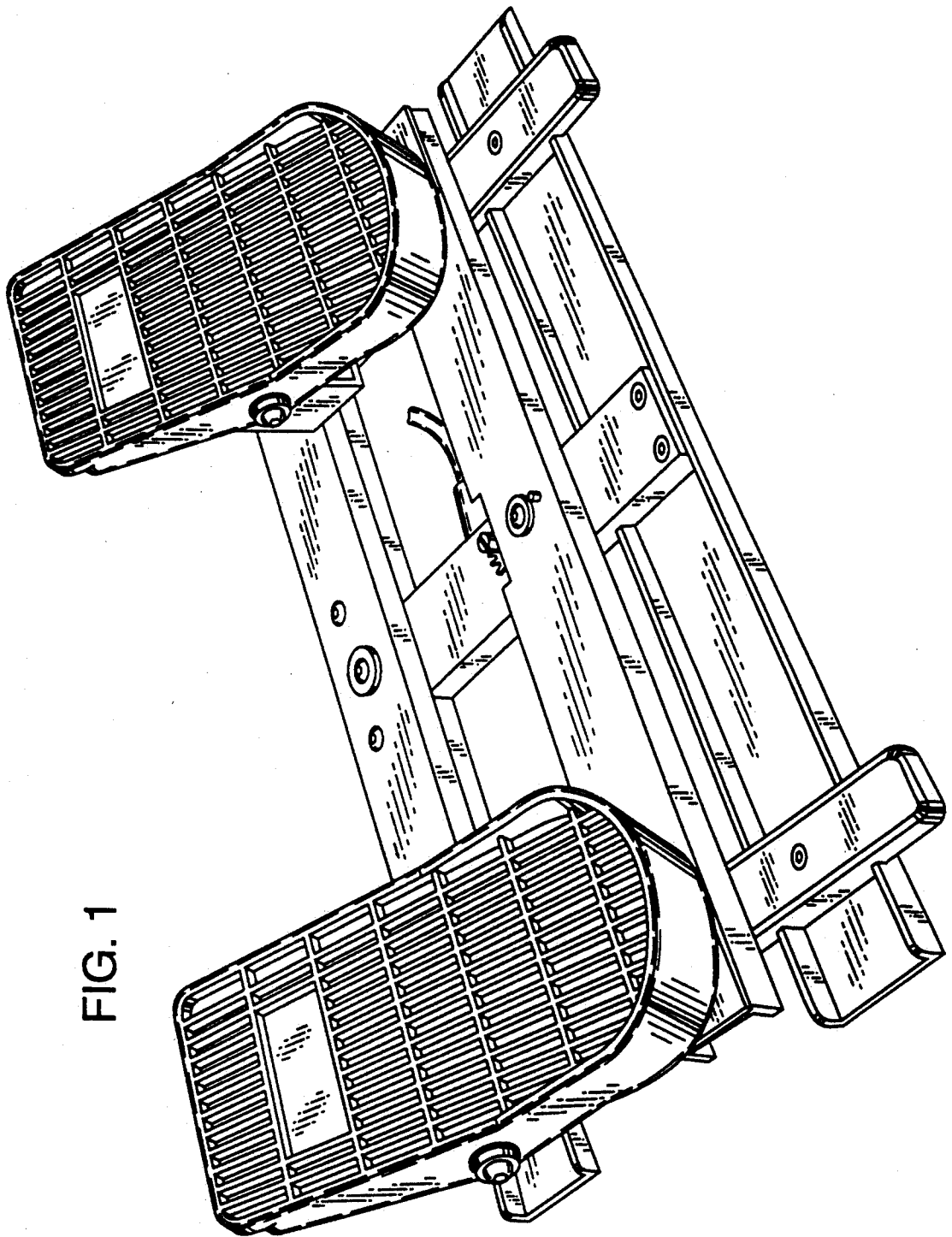


FIG. 1

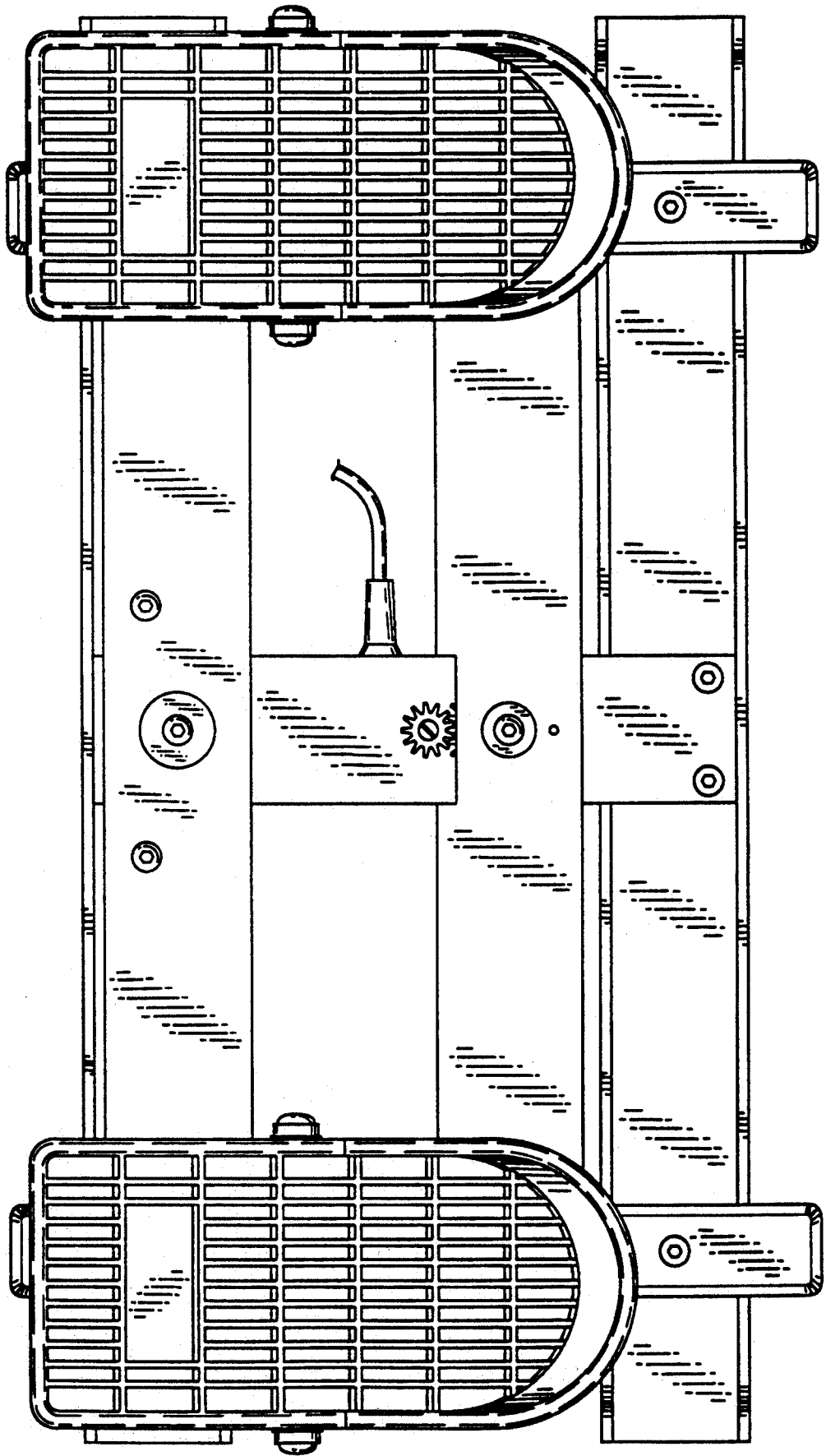


FIG. 2

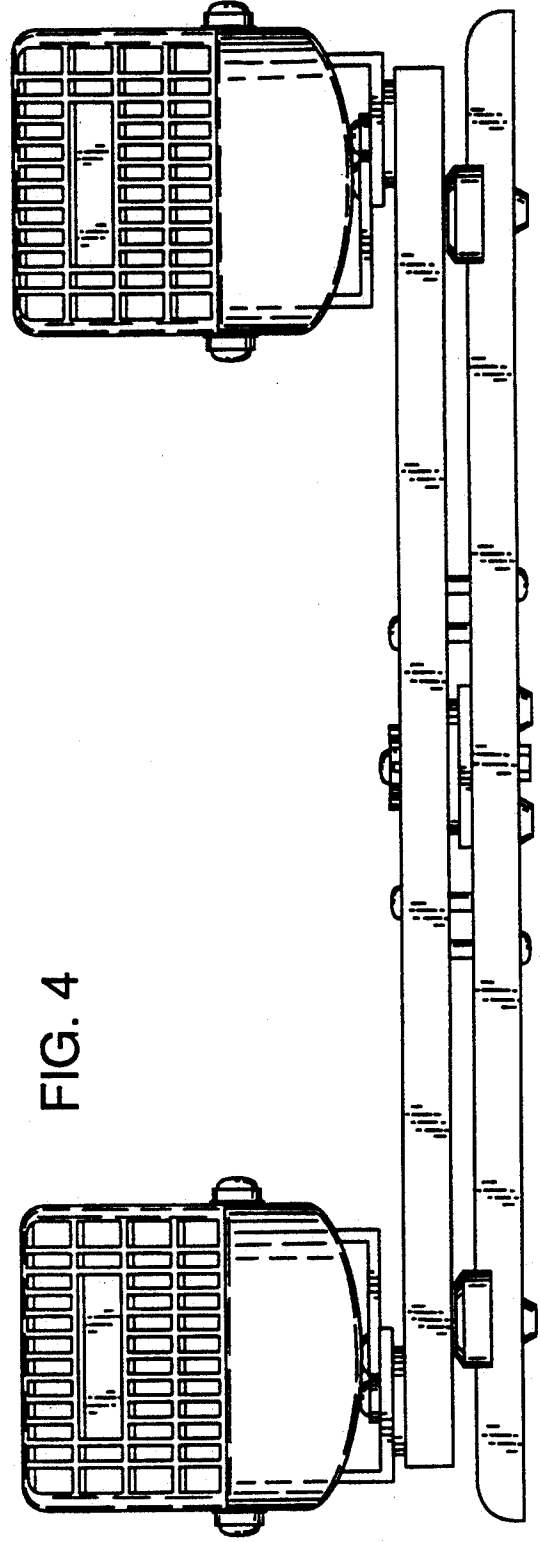
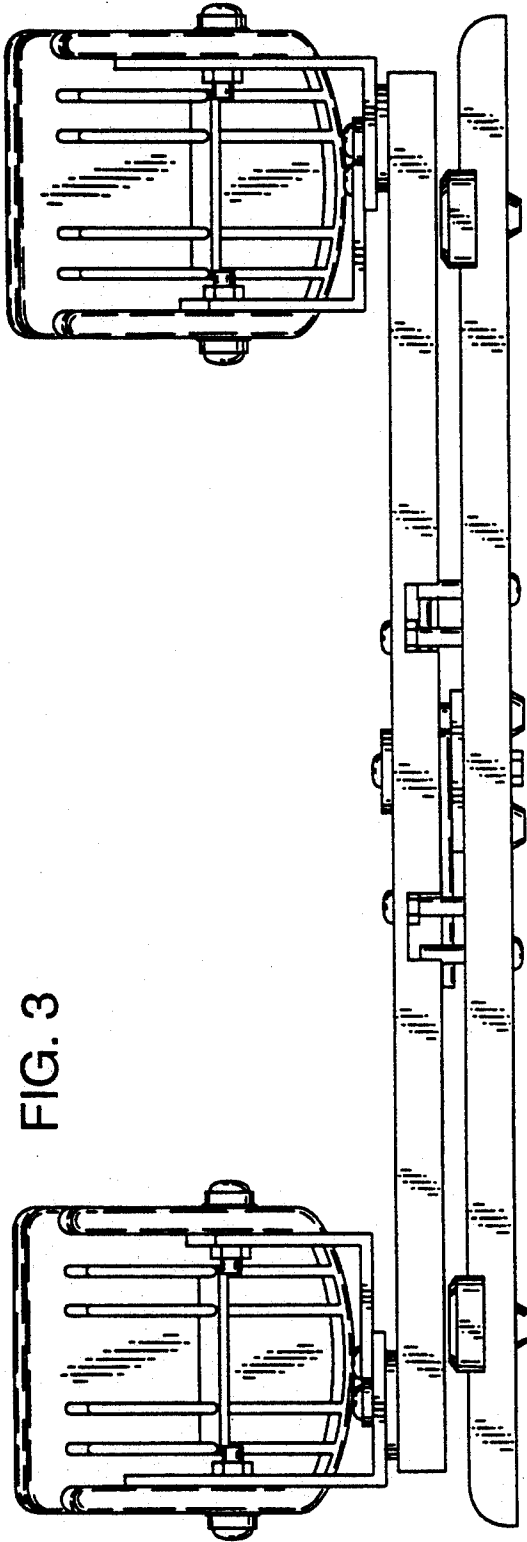


FIG. 3

FIG. 4

FIG. 5

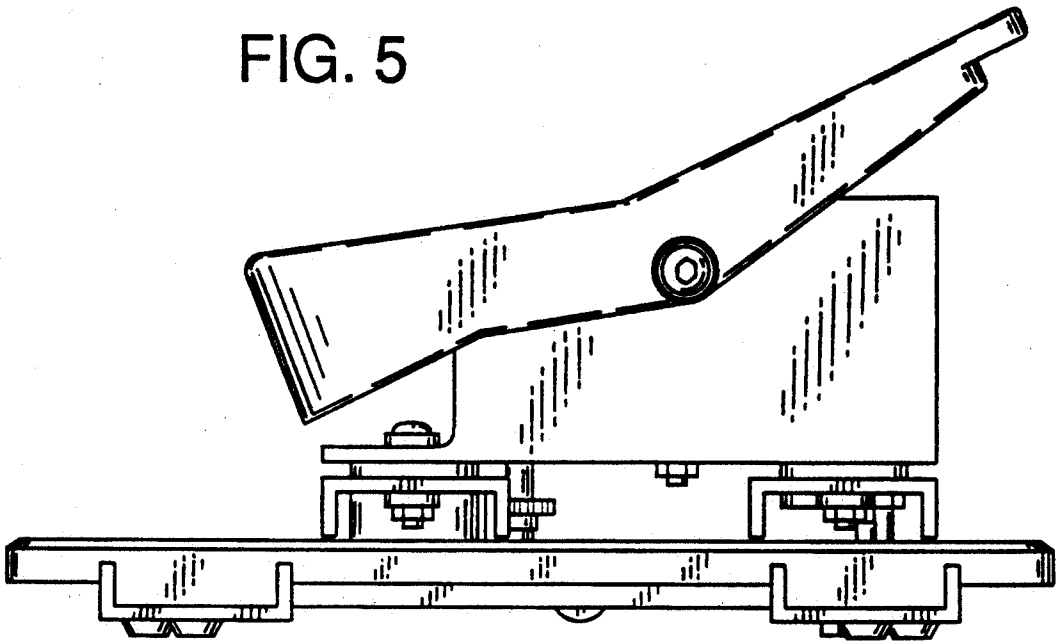
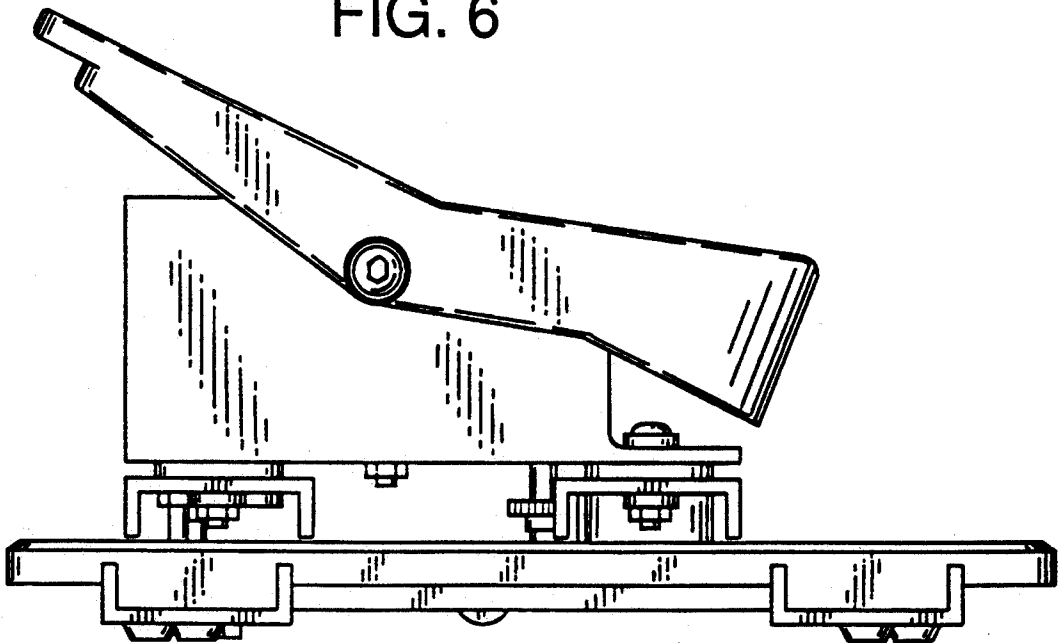


FIG. 6



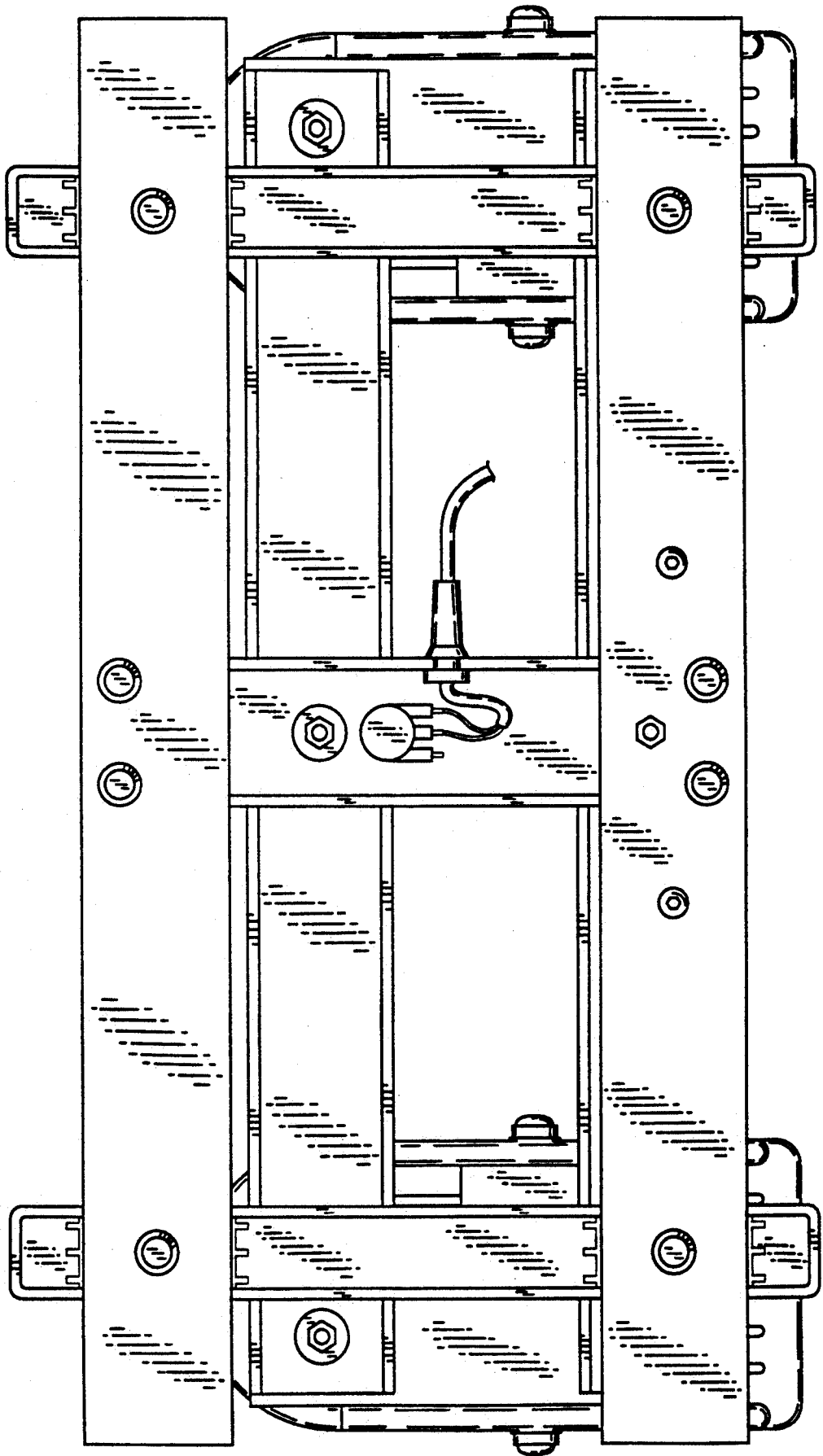


FIG. 7