



US00D763640S

(12) **United States Design Patent**
Cigarini et al.

(10) **Patent No.:** **US D763,640 S**

(45) **Date of Patent:** **** Aug. 16, 2016**

- (54) **HEAD TRIMMER**
- (71) Applicant: **TECOMEC S.R.L.**, Reggio Emilia (RE) (IT)
- (72) Inventors: **Enrico Cigarini**, Reggio Emilia (IT);
Salvatore Longo, Cadelbosco Sopra (IT)
- (73) Assignee: **TECOMEC S.R.L.**, Reggio Emilia (IT)
- (**) Term: **14 Years**
- (21) Appl. No.: **29/516,266**
- (22) Filed: **Jan. 30, 2015**

(30) **Foreign Application Priority Data**

Oct. 21, 2014 (EM) 002561498-0005

- (51) **LOC (10) CI.** **08-01**
- (52) **U.S. CI.**
USPC **D8/8**
- (58) **Field of Classification Search**
USPC D8/1, 7, 8, 9, 383, 499; D15/17
CPC ... A01D 34/412; A01D 34/416; A01D 34/01;
A01D 34/4161; A01D 34/4165; A01D
34/4166; A01D 34/4167
See application file for complete search history.

(56) **References Cited**

U.S. PATENT DOCUMENTS

D254,173	S *	2/1980	Proulx	D8/8
D479,961	S *	9/2003	Iacona	D8/8
D482,581	S *	11/2003	Nystrom	D8/8
D482,941	S *	12/2003	Nystrom	D8/8
D502,368	S *	3/2005	Nystrom	D8/8
7,640,668	B2 *	1/2010	Iacona	A01D 34/4163 30/276
D653,920	S	2/2012	Cigarini		
8,689,451	B2	4/2014	Cigarini		
D715,608	S	10/2014	Cigarini		
8,869,405	B2	10/2014	Codeluppi et al.		
D720,970	S *	1/2015	Hermann	D8/8
8,925,206	B2	1/2015	Cigarini		

D727,116	S *	4/2015	Tinius	D15/17
D727,695	S *	4/2015	Tinius	D15/17
2008/0053052	A1	3/2008	Cigarini		
2009/0172955	A1 *	7/2009	Morris	A01D 34/4163 30/276
2010/0154229	A1 *	6/2010	Iacona	A01D 34/4163 30/347
2010/0180451	A1 *	7/2010	Reynolds	A01D 34/4163 30/276
2011/0000091	A1 *	1/2011	Proulx	A01D 34/4165 30/276
2011/0119932	A1 *	5/2011	Pfaltzgraff	A01D 34/4165 30/347
2012/0131804	A1 *	5/2012	Cigarini	A01D 34/416 30/347
2014/0250699	A1 *	9/2014	Weimer	A01D 34/4166 30/347
2015/0327436	A1 *	11/2015	Skinner	A01D 34/4163 30/276

FOREIGN PATENT DOCUMENTS

WO 2013179318 A1 12/2013

* cited by examiner

Primary Examiner — Sheryl Lane

Assistant Examiner — Ieisha Price

(74) *Attorney, Agent, or Firm* — Pearne & Gordon LLP

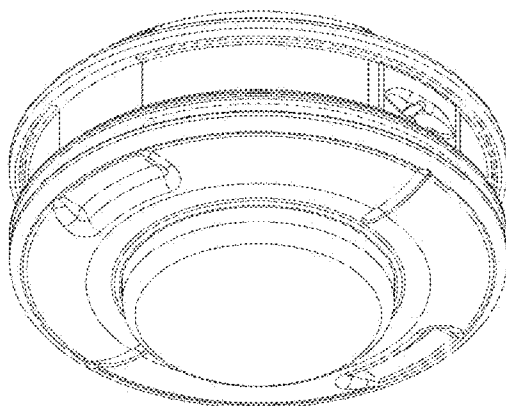
(57) **CLAIM**

The ornamental design for a head trimmer, as shown and described.

DESCRIPTION

FIG. 1 is a perspective view of a head trimmer, showing our new design;
 FIG. 2 is a top view thereof;
 FIG. 3 is a bottom view thereof;
 FIG. 4 is a front view thereof;
 FIG. 5 is a back view thereof;
 FIG. 6 is a left side view thereof; and,
 FIG. 7 is a right side view thereof.
 The broken lines in the drawings illustrate portions of the head trimmer and form no part of the claimed design.

1 Claim, 7 Drawing Sheets



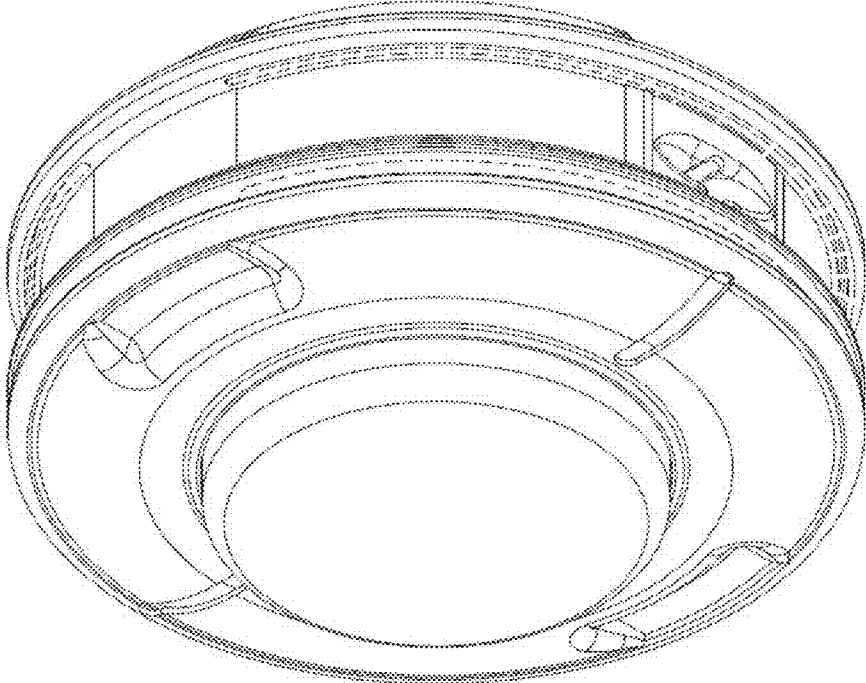


FIG. 1

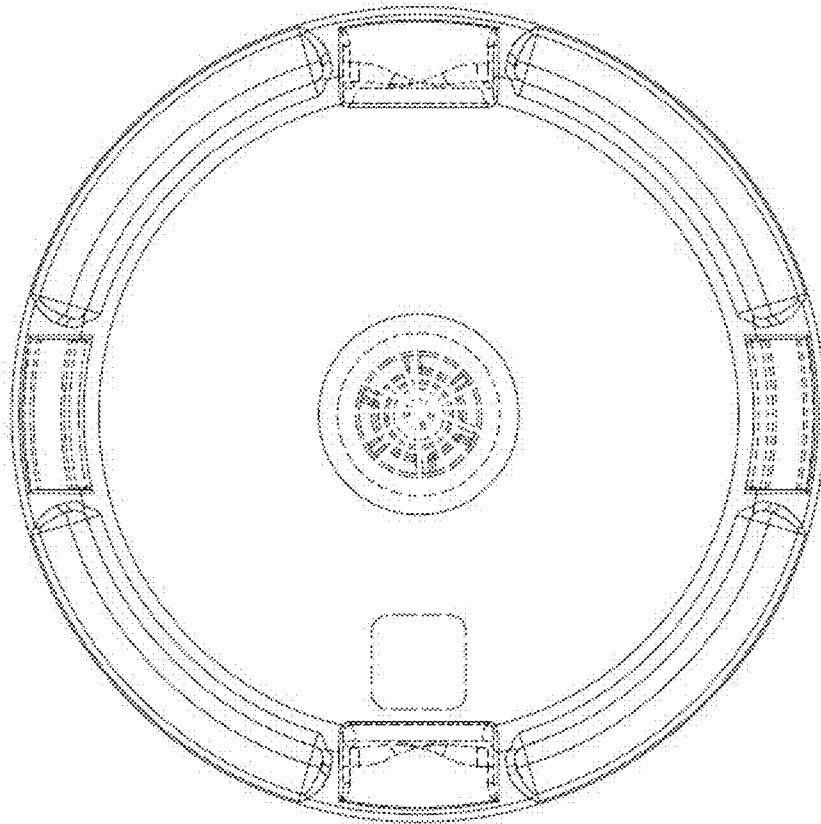


FIG. 2

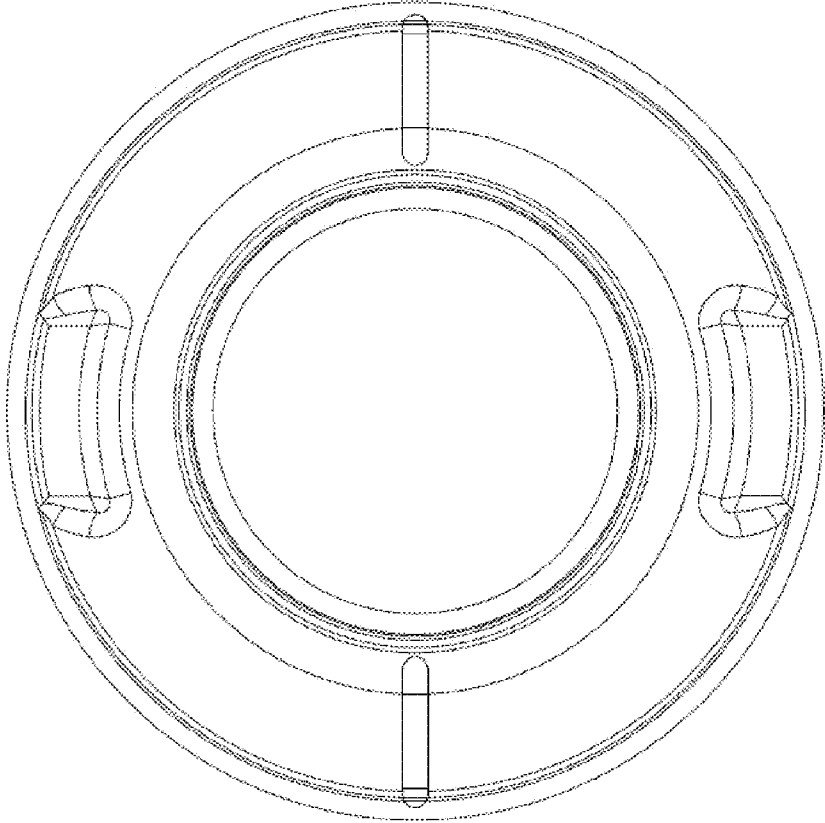


FIG. 3

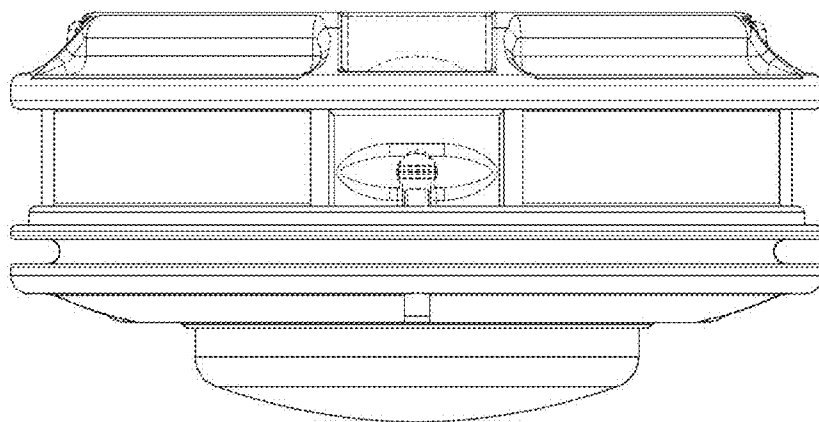


FIG. 4

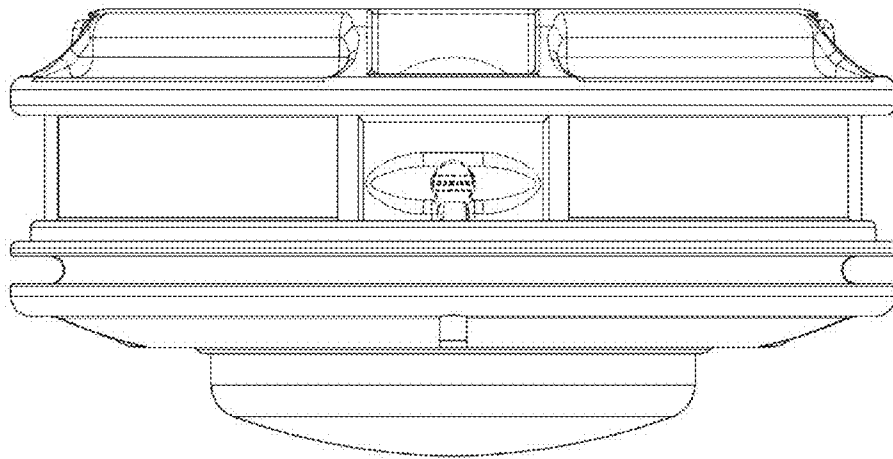


FIG. 5

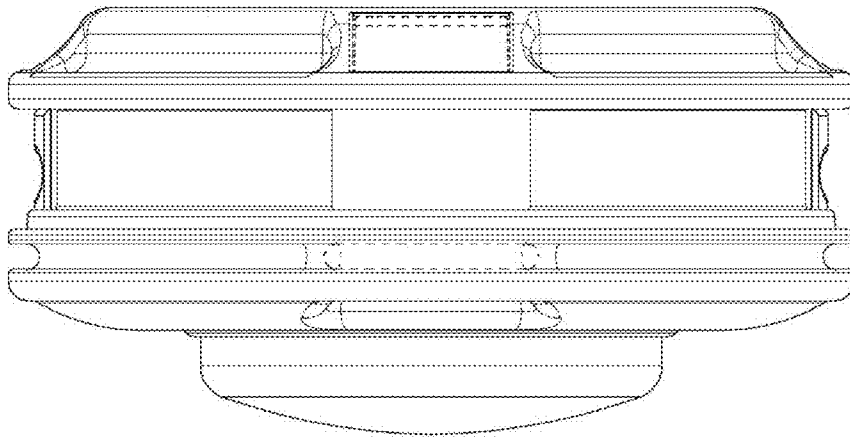


FIG. 6

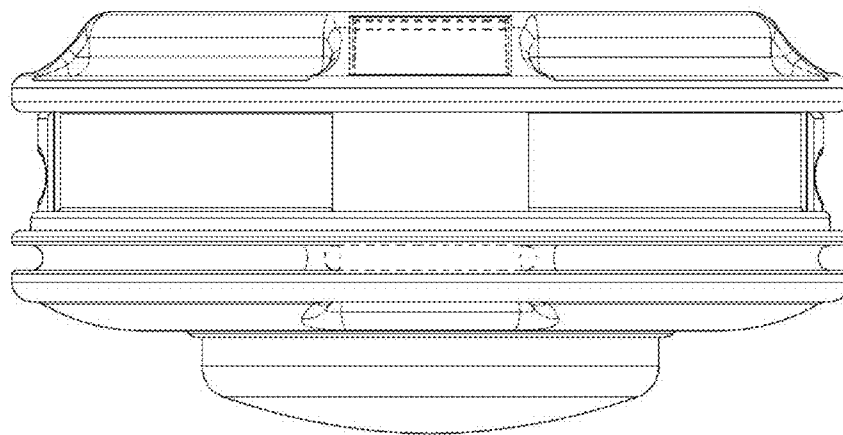


FIG. 7