



US00D746802S

(12) **United States Design Patent**
Mulumudi et al.

(10) **Patent No.:** **US D746,802 S**
(45) **Date of Patent:** **** Jan. 5, 2016**

(54) **ELECTRONIC DEVICE CASE WITH STETHOSCOPE**

7,115,102 B2 10/2006 Abbruscato
7,449,650 B2 * 11/2008 Richardson et al. 200/331
8,200,277 B2 6/2012 Lee

(71) Applicants: **Suman K Mulumudi**, Snohomish, WA (US); **Mahesh S Mulumudi**, Snohomish, WA (US)

(Continued)

FOREIGN PATENT DOCUMENTS

(72) Inventors: **Suman K Mulumudi**, Snohomish, WA (US); **Mahesh S Mulumudi**, Snohomish, WA (US)

KR 10-2011-0047181 5/2011
KR 10-2013-0022141 3/2013
WO WO-2011/049293 A1 4/2011

(73) Assignee: **StratoScientific, Inc.**, Shoreline, WA (US)

OTHER PUBLICATIONS

(**) Term: **14 Years**

International Search Report and Written Opinion for PCT/US2014/060493 dated Jan. 15, 2015.

(21) Appl. No.: **29/469,889**

(Continued)

(22) Filed: **Oct. 15, 2013**

Primary Examiner — Carla Jobe Wright

(51) **LOC (10) Cl.** **14-03**

Assistant Examiner — Holly E Thurman

(52) **U.S. Cl.**

(74) *Attorney, Agent, or Firm* — Foley & Lardner LLP

USPC **D14/250**; D24/134

(57) **CLAIM**

(58) **Field of Classification Search**

The ornamental design for an electronic device case with stethoscope, as shown and described.

USPC D14/250-253, 440, 203.3-203.7, 217, D14/496, 248, 238.1, 240, 447, 215, 216, D14/221, 224; D3/201, 218, 269, 301, 273, D3/303; D13/103, 107-108; 220/4.02; 248/309.1; 361/679.56; 379/426, 379/433.11, 455; 455/575.1, 575.8; 190/100; 206/305, 320; 381/386, 396; 600/586; D24/133, 134
CPC A45C 2011/002; A45C 11/00; A45C 13/002; A45C 2011/003; H04M 1/0283; H04M 1/0202; A61B 5/00; A61B 5/6898; A61B 5/72; A61B 7/04

DESCRIPTION

See application file for complete search history.

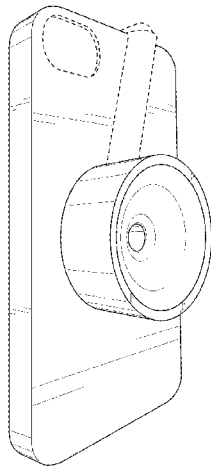
FIG. 1 is a front perspective view of a electronic device case with stethoscope showing our new design, without the detachable diaphragm for clarity of disclosure;
FIG. 2 is a back perspective view thereof;
FIG. 3 is a front view thereof;
FIG. 4 is a back view thereof;
FIG. 5 is a left side view thereof;
FIG. 6 is a right side view thereof;
FIG. 7 is a top view thereof;
FIG. 8 is a bottom view thereof;
FIG. 9 is an exploded front perspective view thereof, showing the detachable diaphragm separated for clarity of disclosure; and,
FIG. 10 is another front perspective view thereof, showing the detachable diaphragm in an attached state.
The broken lines depict unclaimed portions of the case, acoustic collector, and an unclaimed electronic device that form no part of the claimed design.

(56) **References Cited**

U.S. PATENT DOCUMENTS

D359,958 S * 7/1995 Frodelius D14/208
D394,314 S * 5/1998 Moore et al. D24/134
D458,369 S * 6/2002 Helmholtz et al. D24/133
6,757,392 B1 6/2004 Granzotto et al.
6,790,178 B1 9/2004 Mault et al.

1 Claim, 5 Drawing Sheets



(56)

References Cited

U.S. PATENT DOCUMENTS

D669,587 S 10/2012 Mayer
 D678,379 S * 3/2013 O'Neill et al. D16/134
 D678,869 S 3/2013 Diebel
 D679,699 S * 4/2013 Piedra et al. D14/250
 D680,107 S * 4/2013 Piedra et al. D14/250
 D685,356 S 7/2013 Diebel
 D685,363 S * 7/2013 Murchison et al. D14/250
 D686,605 S 7/2013 Palmeri
 D704,183 S * 5/2014 Guzman D14/250
 D711,956 S * 8/2014 Adams D16/237
 D717,856 S * 11/2014 Slawson et al. D16/237
 D718,291 S * 11/2014 Hong D14/250
 D723,535 S * 3/2015 Minn et al. D14/250
 D724,728 S * 3/2015 Ting D24/134
 D726,704 S * 4/2015 Park et al. D14/250
 2001/0030077 A1 10/2001 Watson
 2004/0109571 A1 6/2004 Yoshimine
 2004/0220487 A1 11/2004 Vyshedskiy et al.
 2009/0213264 A1 8/2009 Kim
 2011/0087135 A1 4/2011 Ferzli et al.
 2012/0074006 A1 3/2012 Monaco et al.
 2012/0190303 A1 7/2012 Wong
 2013/0116584 A1 5/2013 Kapoor
 2013/0170686 A1 7/2013 Lester, Jr.
 2013/0181584 A1 7/2013 Whitten et al.
 2013/0206614 A1 8/2013 O'Neill et al.

2013/0303000 A1 * 11/2013 Witter et al. 439/39
 2014/0077044 A1 * 3/2014 Witter et al. 248/121
 2014/0154152 A1 * 6/2014 Chumanov et al. 422/561
 2014/0163422 A1 6/2014 Poplaw
 2014/0243685 A1 * 8/2014 Patwardhan et al. 600/476
 2015/0087926 A1 * 3/2015 Raz et al. 600/301
 2015/0094597 A1 * 4/2015 Mestha et al. 600/473

OTHER PUBLICATIONS

Japanese Office Action Issued Jan. 6, 2015 for Japanese Design Application No. 2014-008230 (no English translation available).
 U.S. Appl. No. 61/735,977, filed Dec. 11, 2012, Barry Poplaw.
 Abstract for WO-2011/049293-A1.
 iPhone Stethoscope Attachment by Jeff Thompson <http://www.thingiverse.com/thing:149028> dated Sep. 25, 2013.
 My Babys Beat <http://www.mybabysbeat.com> dated Oct. 10, 2013.
 Thinklabs Stethoscope App <http://www.thinklabsmedical.com/iphone-a-ipod-touch-app.html> dated Oct. 10, 2013.
 iPhone Stethoscope Attachment Finished as shown in http://www.jeffreythompson.org/blog/2011/12/15/iphone_stethoscope-attachment-finished dated Dec. 15, 2011.
 Examiner's Report dated Oct. 18, 2014 for Canadian Application No. 156103 (3 pages).
 U.S. Office Action Mailed Aug. 21, 2015 for U.S. Appl. No. 14/054,656.

* cited by examiner

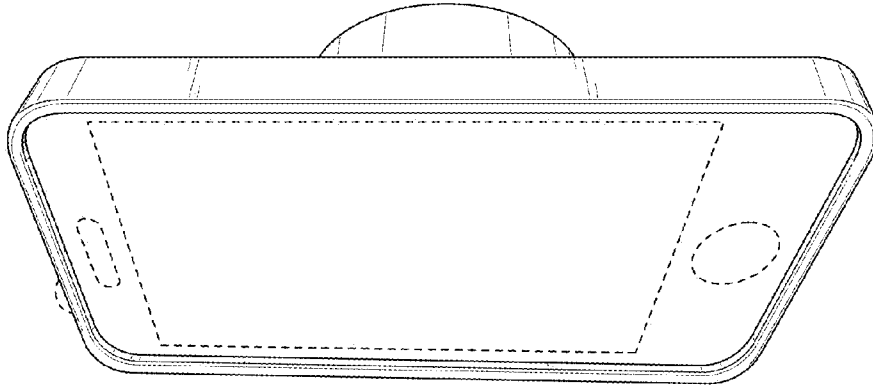


FIG. 2

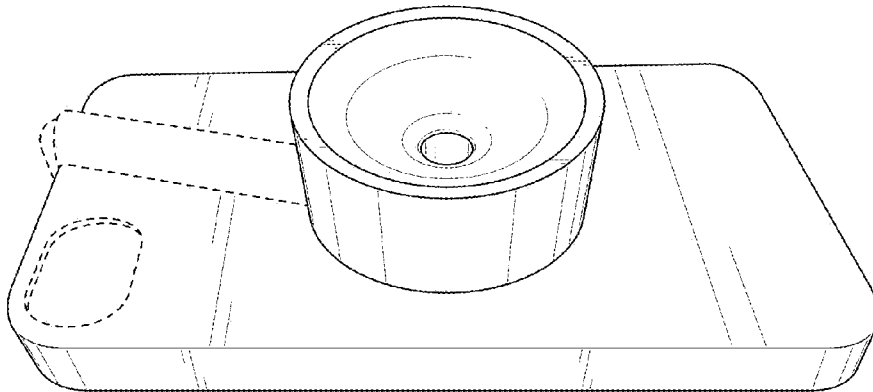


FIG. 1



FIG. 4

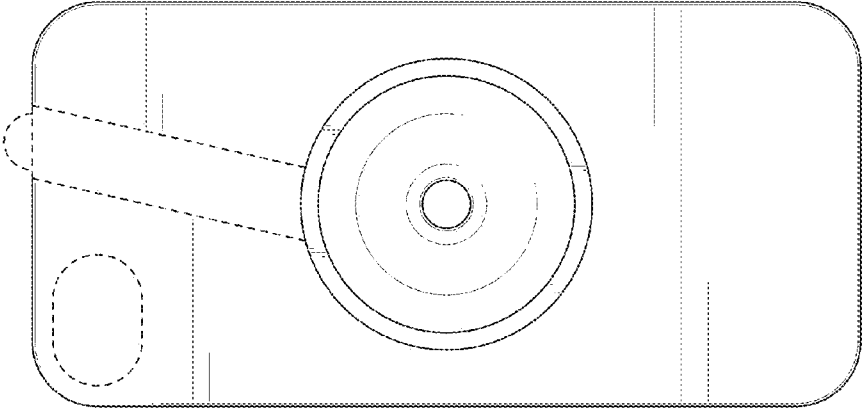


FIG. 3

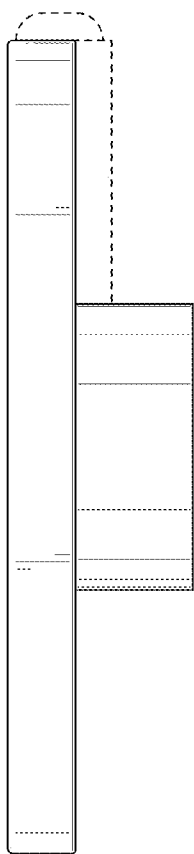


FIG. 5

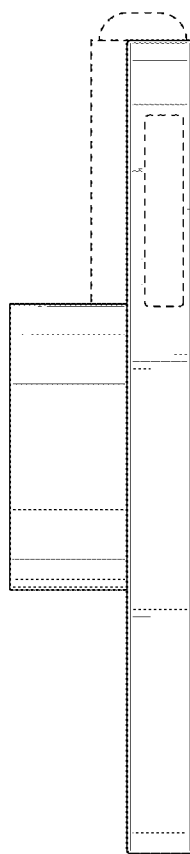


FIG. 6

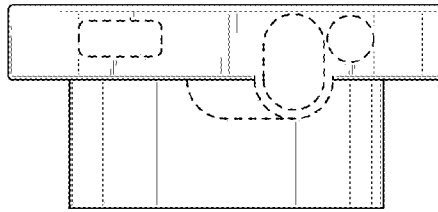


FIG. 7

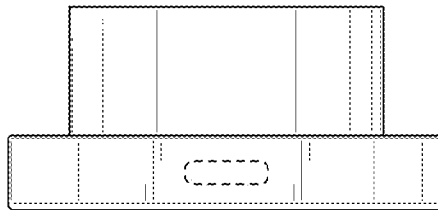


FIG. 8

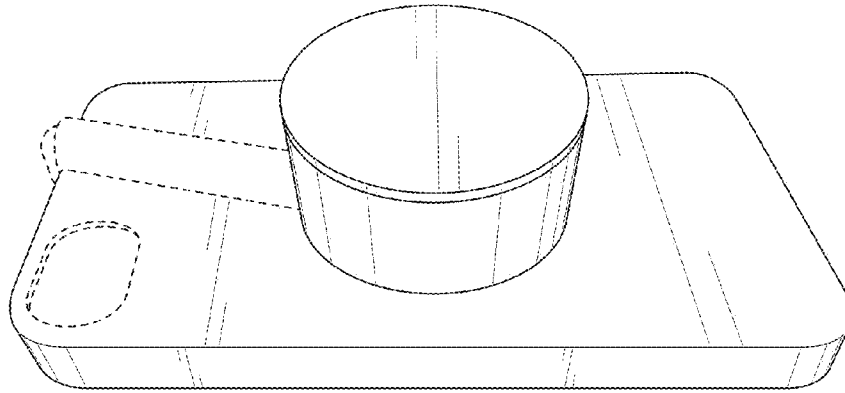


FIG. 10

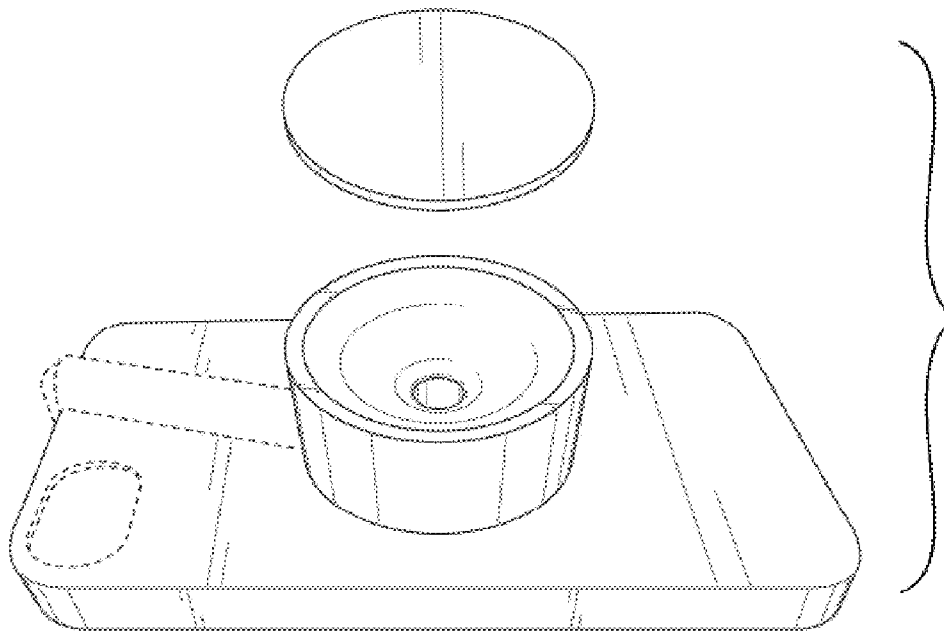


FIG. 9