



US00D465425S

(12) **United States Design Patent**
Chang

(10) **Patent No.:** **US D465,425 S**

(45) **Date of Patent:** **** Nov. 12, 2002**

(54) **COMPASS**

(76) **Inventor:** **Gin-Sung Chang**, No. 15, Lane 385,
Kuang-Ming Rd., Wu-Jih Hsiang,
Taichung Hsien (TW)

(**) **Term:** **14 Years**

(21) **Appl. No.:** **29/152,722**

(22) **Filed:** **Oct. 22, 2001**

(51) **LOC (7) Cl.** **10-04**

(52) **U.S. Cl.** **D10/68**

(58) **Field of Search** D10/62, 68; 33/348,
33/355 R, 355 D, 361, 365

(56) **References Cited**

U.S. PATENT DOCUMENTS

D413,504 S * 9/1999 Kung D10/62 X
5,956,985 A * 9/1999 Chang 70/456 R

* cited by examiner

Primary Examiner—Antoine Duval Davis

(74) *Attorney, Agent, or Firm*—MacPherson Kwok Chen &
Heid LLP

(57) **CLAIM**

The ornamental design for compass, as shown and described.

DESCRIPTION

FIG. 1 is a perspective view of compass showing my the design;

FIG. 2 is a left side elevational view thereof;

FIG. 3 is a right side elevational view thereof;

FIG. 4 is a front elevational view thereof;

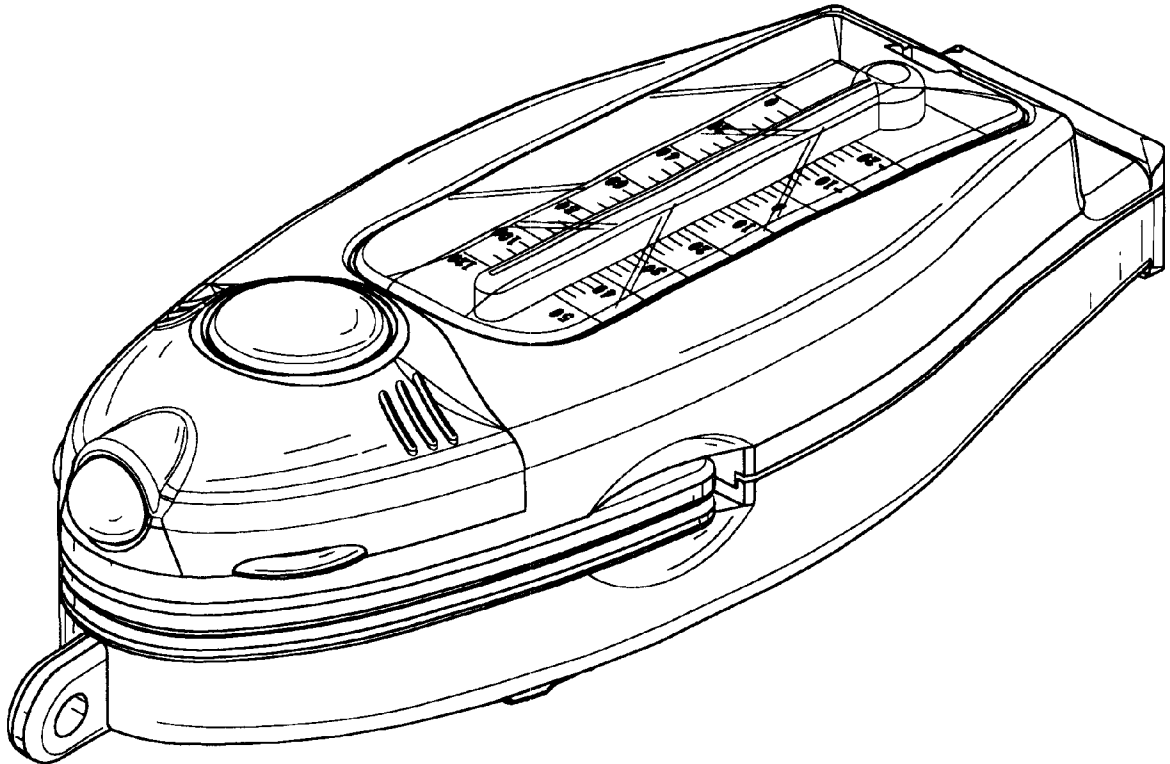
FIG. 5 is a rear elevational view thereof;

FIG. 6 is a top plan view thereof;

FIG. 7 is a bottom plan view thereof; and,

FIG. 8 is another perspective view in use.

1 Claim, 5 Drawing Sheets



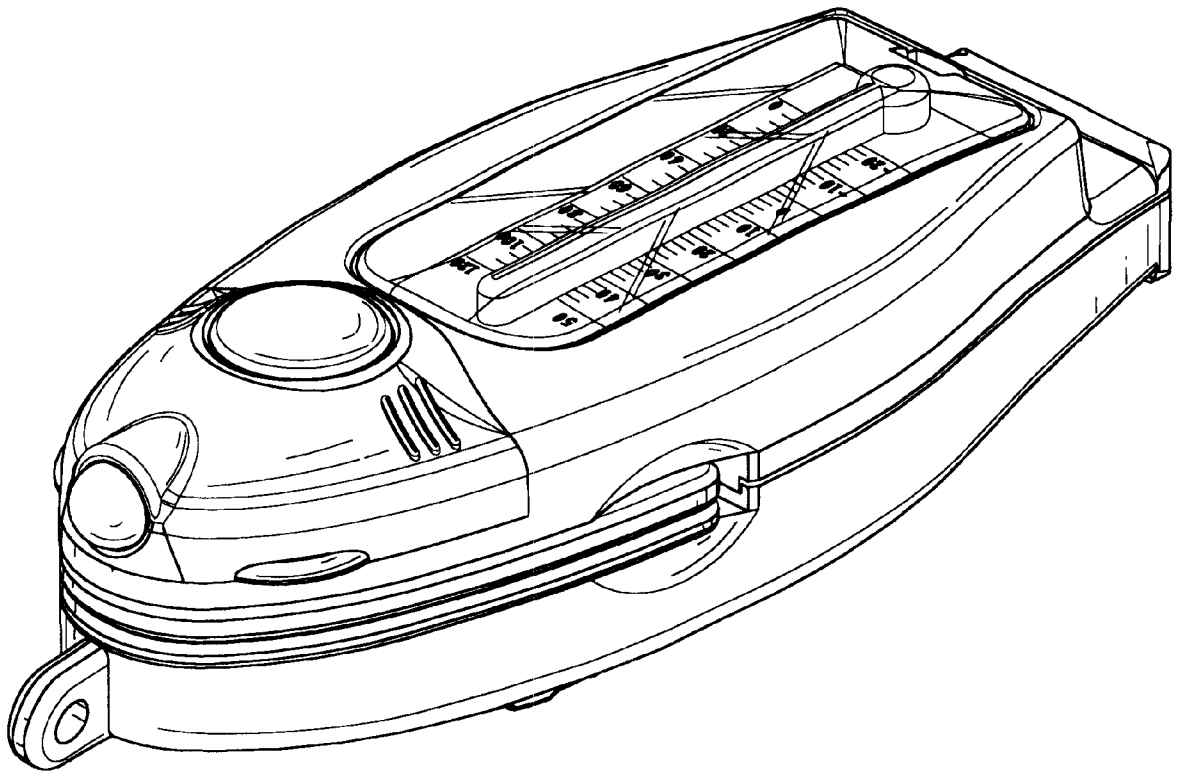


FIG. 1

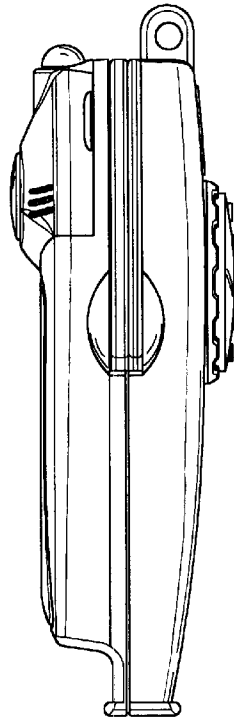


FIG. 3

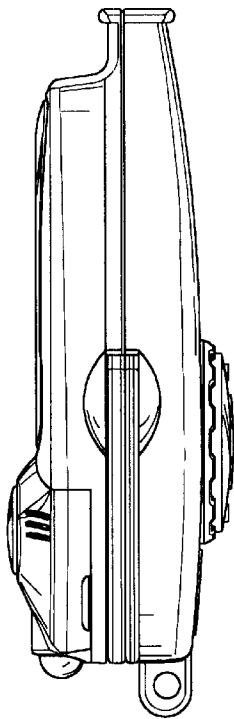


FIG. 2

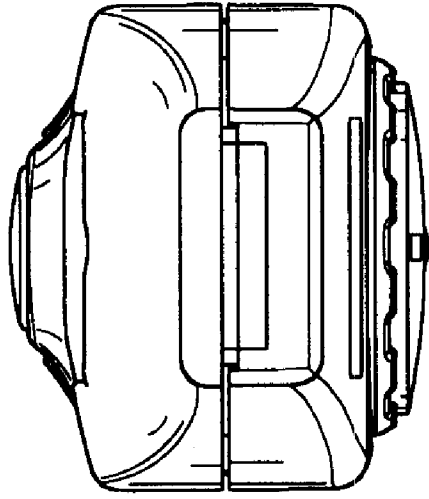


FIG. 5

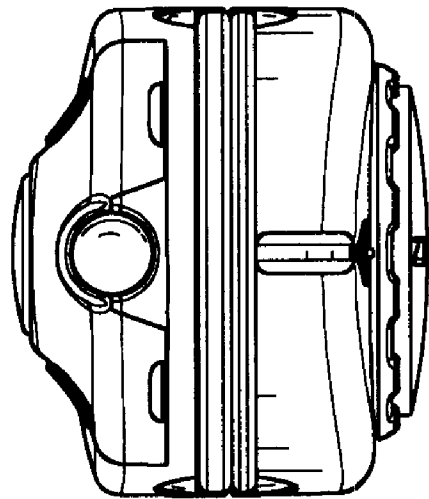


FIG. 4

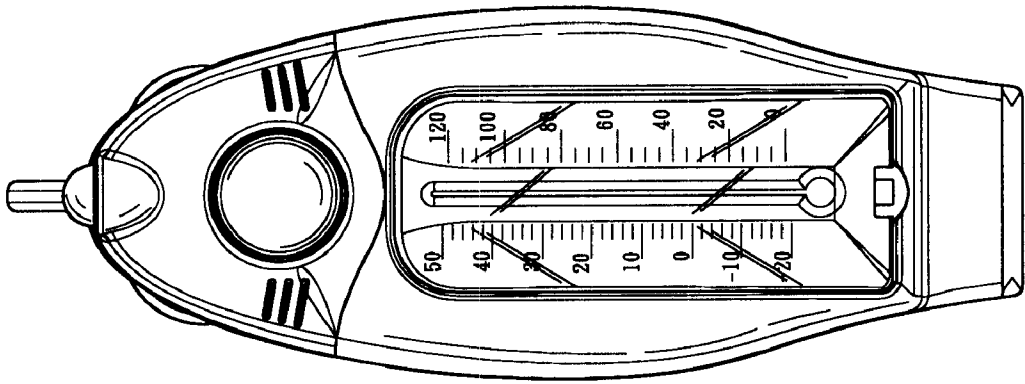


FIG. 6

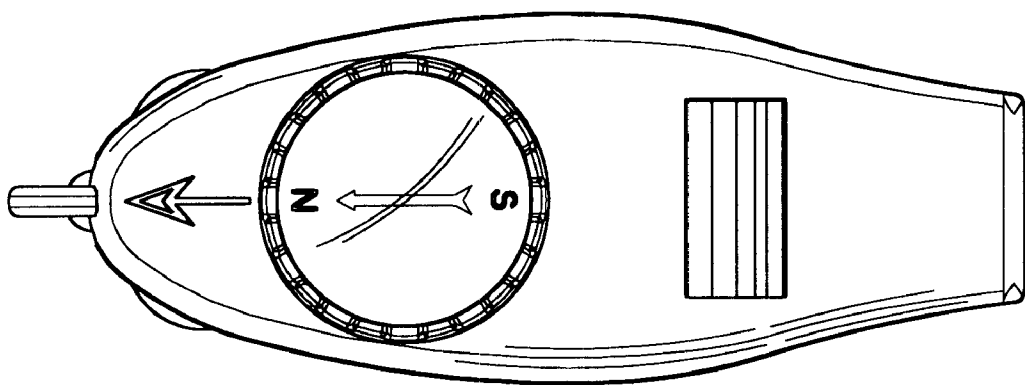


FIG. 7

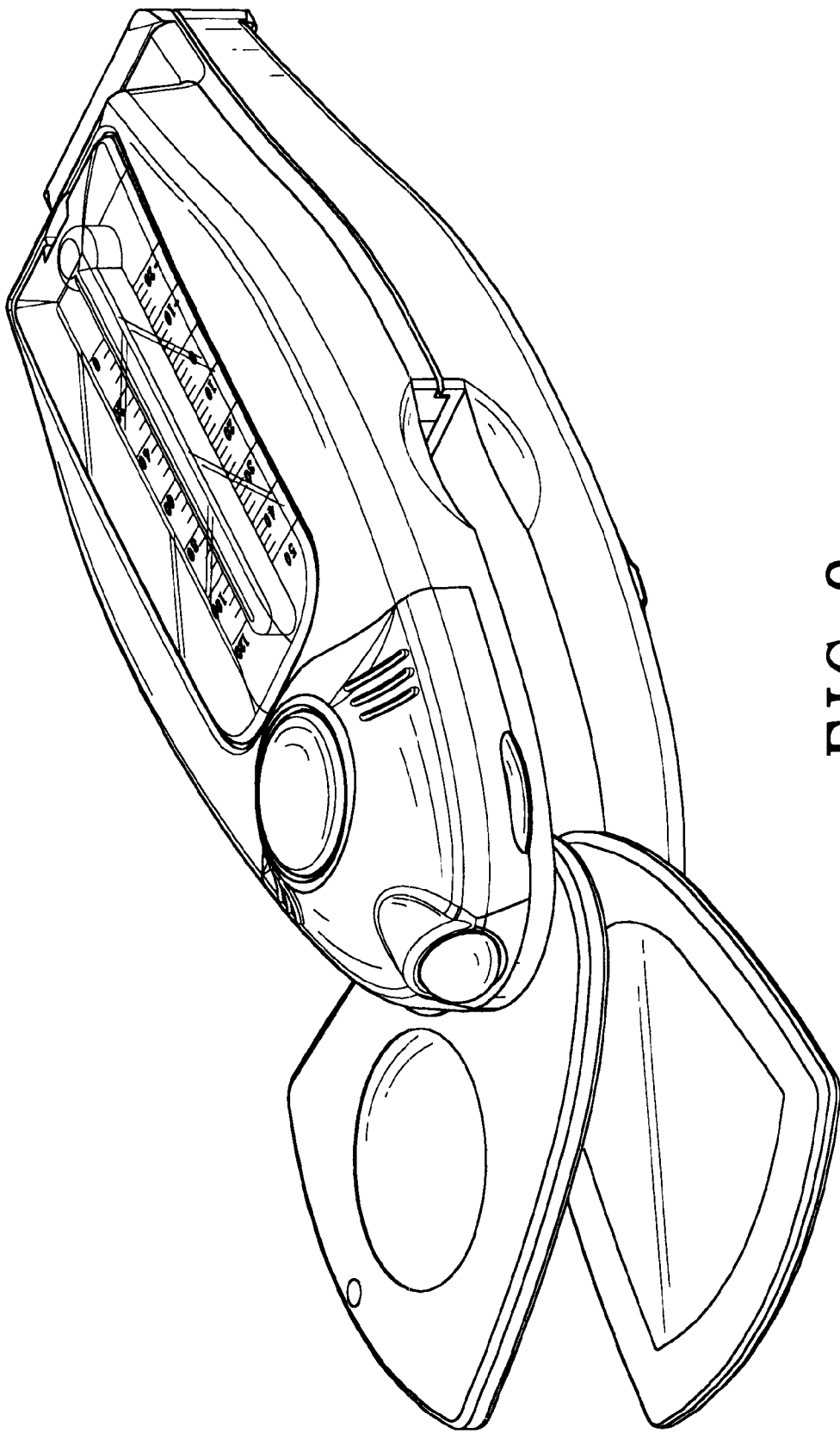


FIG. 8