



US00D730535S

(12) **United States Design Patent**
Gutmann et al.

(10) **Patent No.:** **US D730,535 S**

(45) **Date of Patent:** **** May 26, 2015**

(54) **PCR INSTRUMENT**

(71) Applicant: **Roche Molecular Systems, Inc.**,
Pleasanton, CA (US)

(72) Inventors: **Peter Gutmann**, Thalwil (CH); **Jan Muegel**, Berlin (DE); **Therese Naef**,
Nussbaumen (CH); **Britta Pukall**,
Waedenswil (CH); **Johann Florian Wassermann**, Horgen (CH)

(73) Assignee: **Roche Molecular Systems, Inc.**,
Pleasanton, CA (US)

(**) Term: **14 Years**

(21) Appl. No.: **29/468,450**

(22) Filed: **Sep. 30, 2013**

(30) **Foreign Application Priority Data**

Apr. 3, 2013 (WO) DM/080 913

(51) **LOC (10) Cl.** **24-01**

(52) **U.S. Cl.**
USPC **D24/216**

(58) **Field of Classification Search**
CPC G01N 1/28; G01N 33/50; G01N 35/025
USPC D24/216, 231, 232, 233, 186, 169, 107,
D24/111; D10/81; 422/500, 62-67;
435/287.1, 287.3; 436/43, 47, 46

See application file for complete search history.

(56) **References Cited**

U.S. PATENT DOCUMENTS

6,613,286	B2 *	9/2003	Braun et al.	422/554
D556,914	S *	12/2007	Okamoto et al.	D24/233
D631,968	S *	2/2011	Sevel	D24/169
D640,378	S *	6/2011	Okawa et al.	D24/186
8,101,137	B2 *	1/2012	Polwart et al.	422/504
D670,402	S *	11/2012	Shibata	D24/216
8,333,938	B2 *	12/2012	Green et al.	422/561
D687,968	S *	8/2013	Trigg et al.	D24/232
D689,193	S *	9/2013	Shinohara et al.	D24/216
D717,968	S *	11/2014	Klein et al.	D24/232

FOREIGN PATENT DOCUMENTS

EP 2463661 A1 6/2012

* cited by examiner

Primary Examiner — Anhdao Doan
(74) *Attorney, Agent, or Firm* — M. Reza Savari

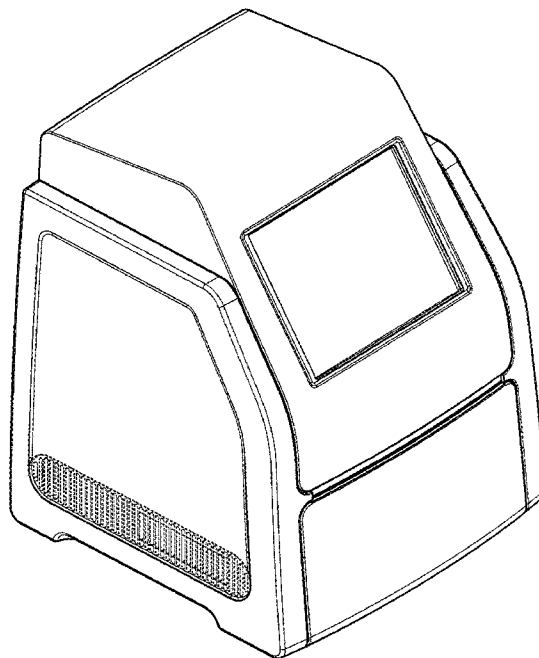
(57) **CLAIM**

The ornamental design for a PCR instrument, as shown and described.

DESCRIPTION

FIG. 1 shows a front elevational view of a PCR instrument; FIG. 2 shows a right perspective view thereof; FIG. 3 shows a left perspective view thereof; FIG. 4 shows a right side elevational view thereof; FIG. 5 shows a left side elevational view thereof; FIG. 6 shows a top plan view thereof; FIG. 7 shows a bottom plan view thereof; and, FIG. 8 shows a rear elevational view thereof. The broken lines depict unclaimed environmental subject matter.

1 Claim, 8 Drawing Sheets



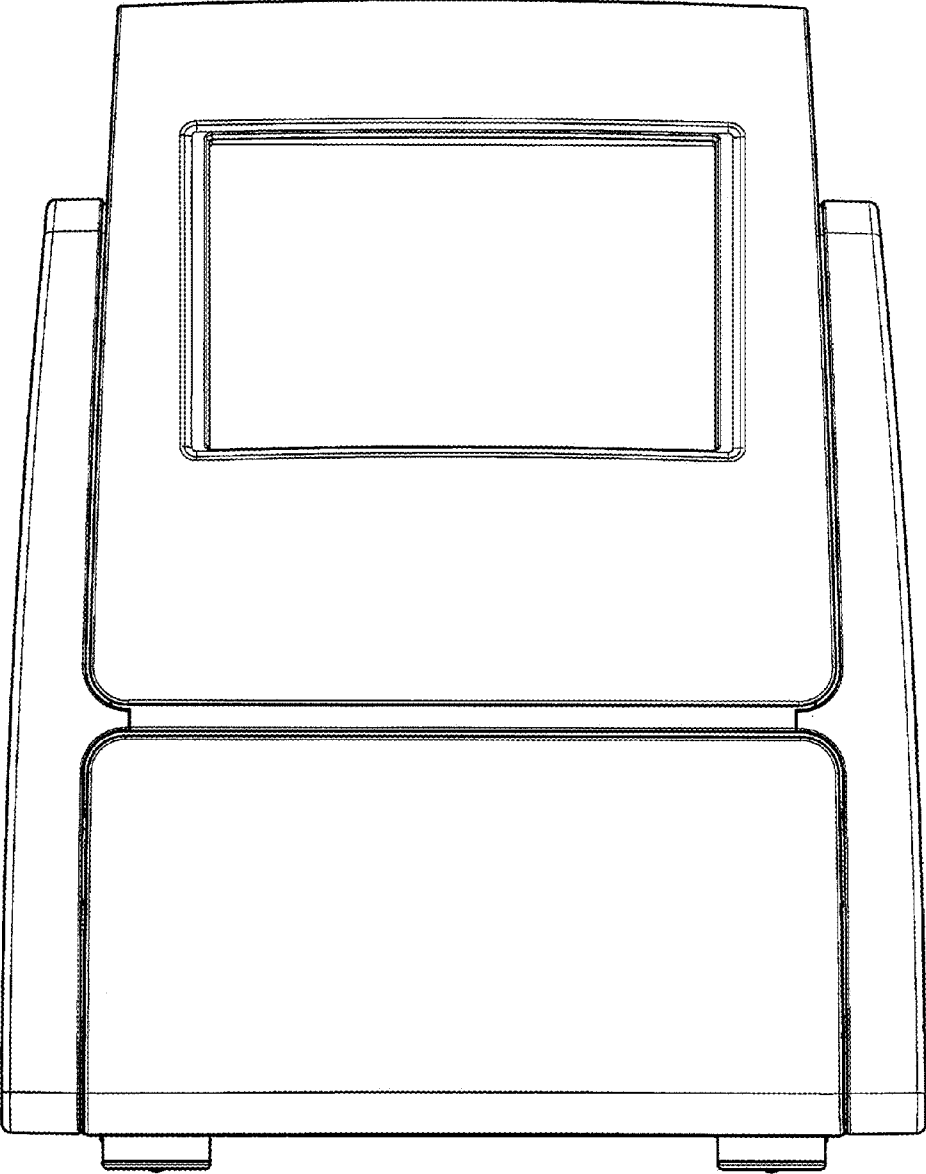


Fig. 1

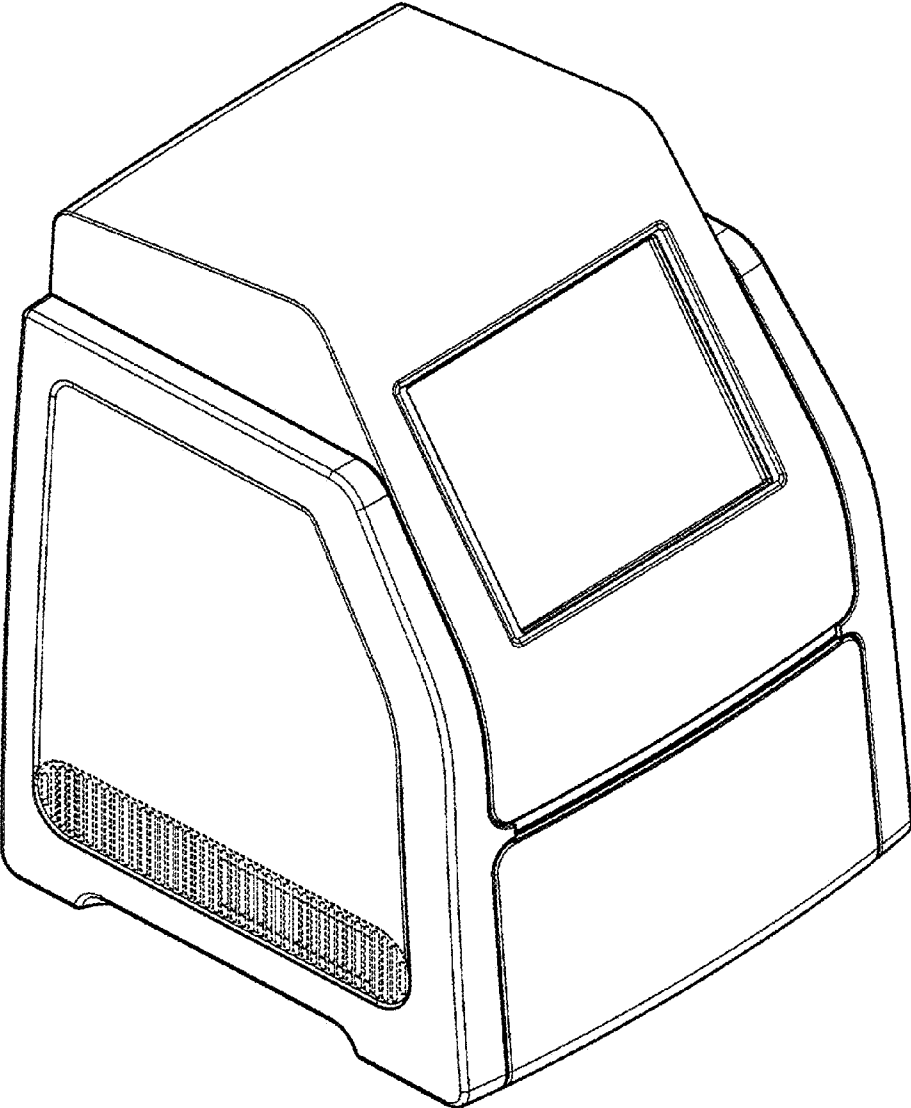


Fig. 2

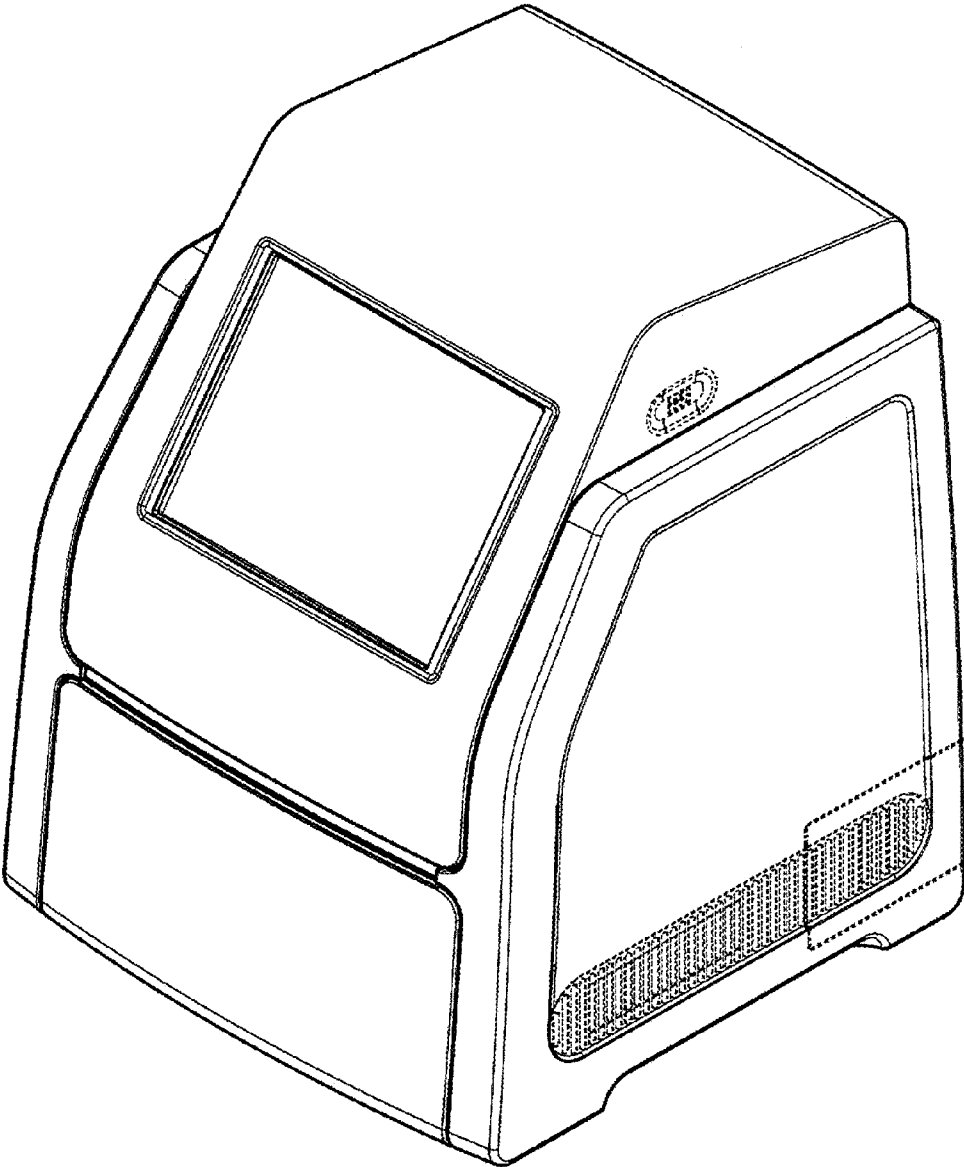


Fig. 3

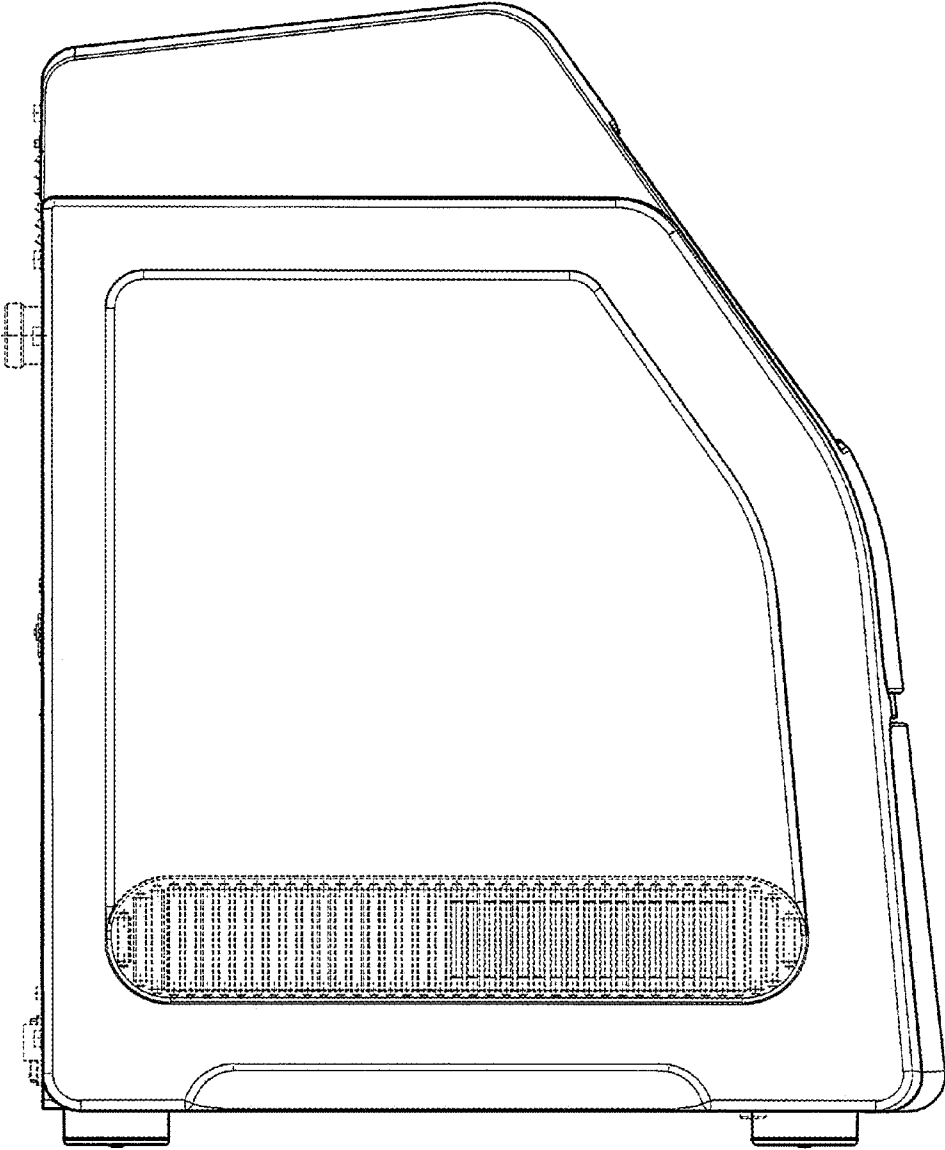


Fig. 4

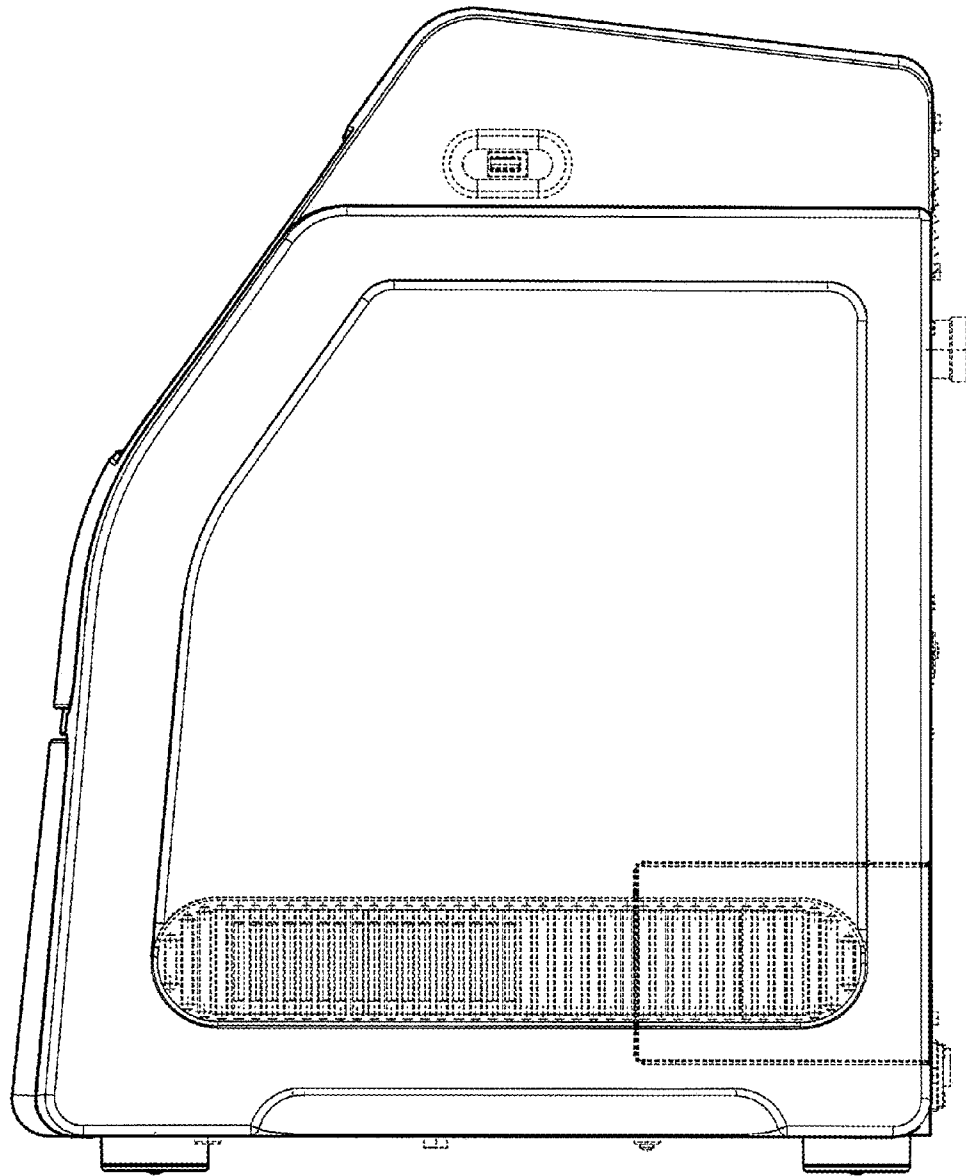


Fig. 5

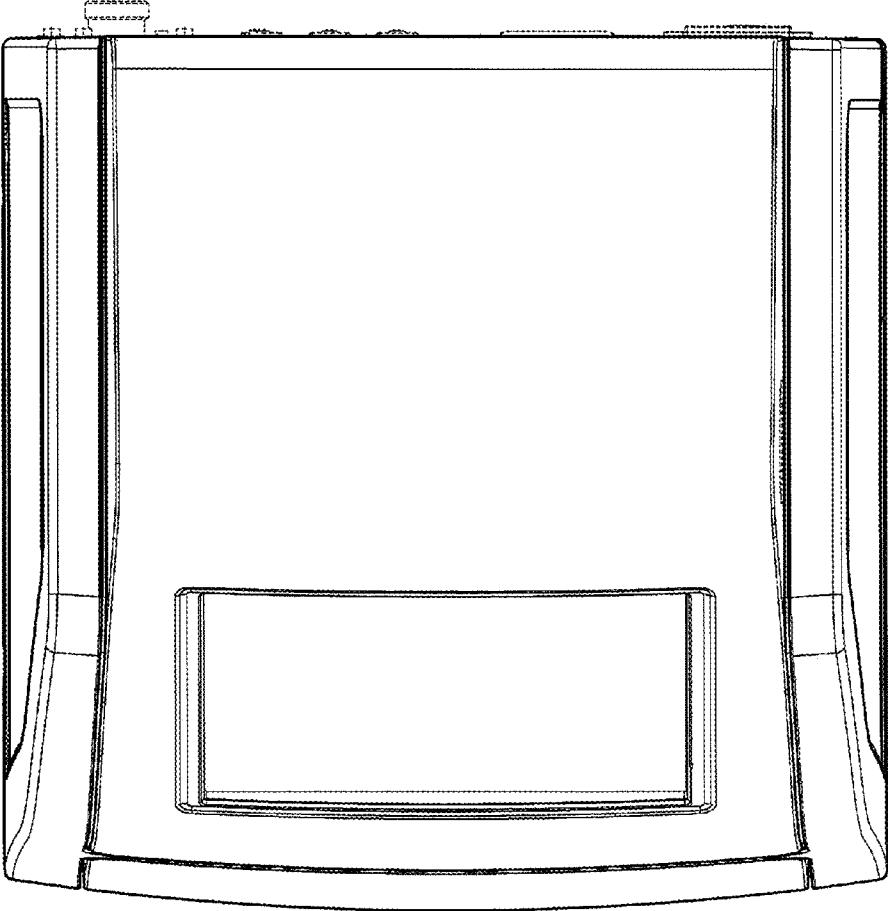


Fig. 6

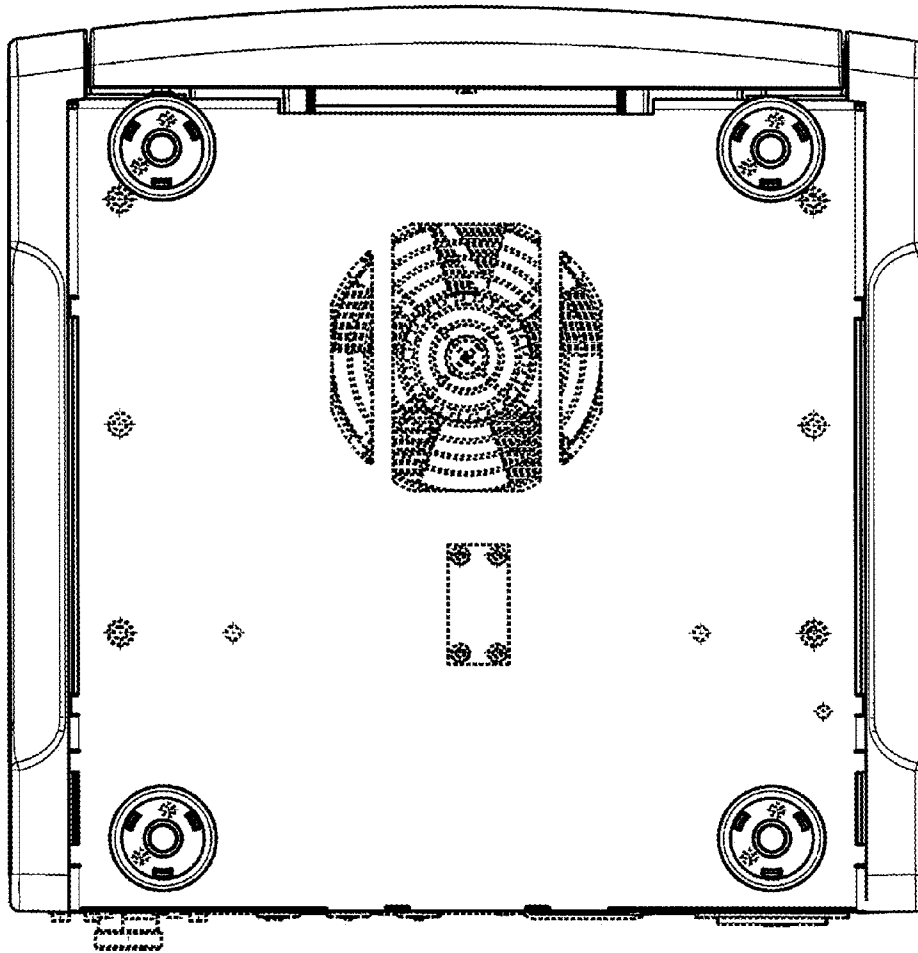


Fig. 7

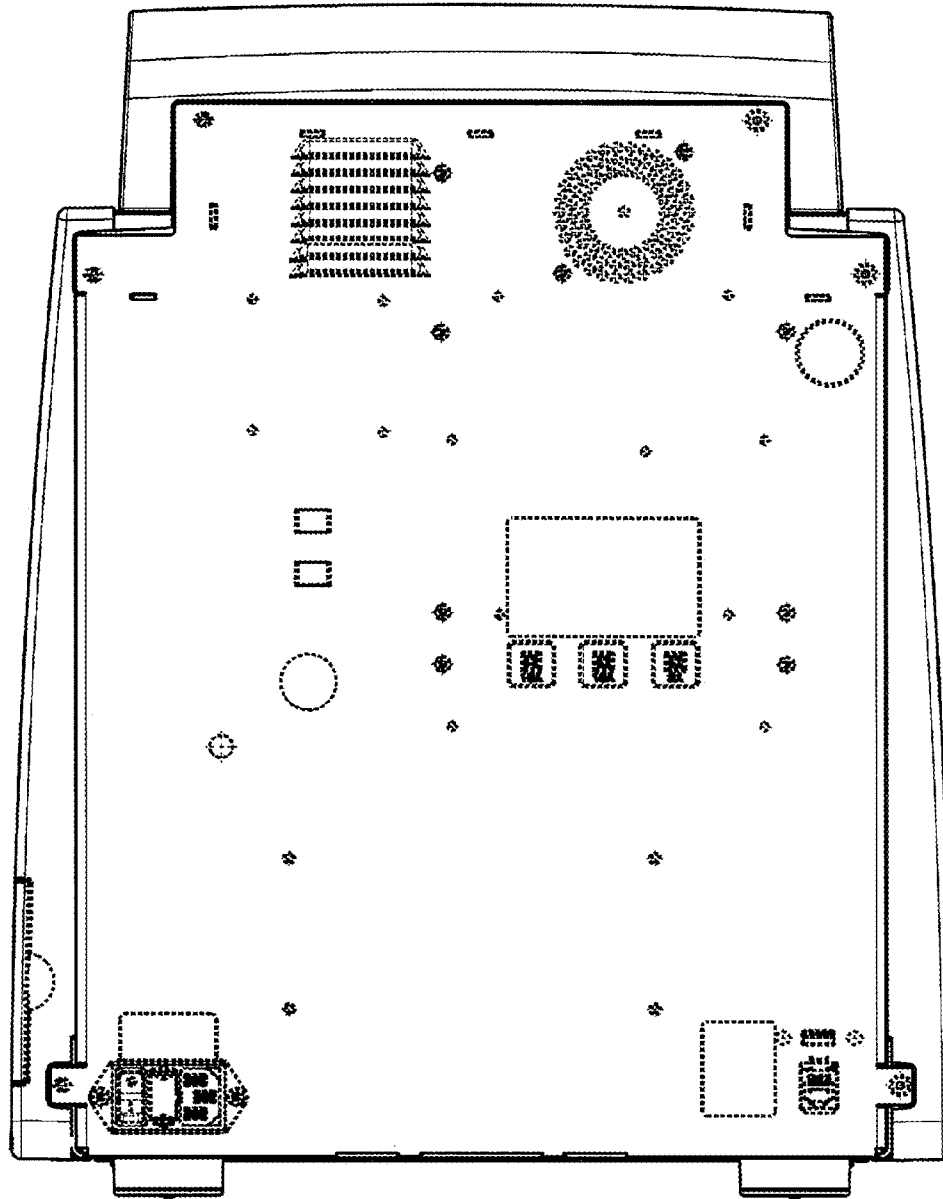


Fig. 8