

[54] ADJUSTABLE TRESTLE

[56] References Cited

[75] Inventor: Robert D. Gromer, Jr., Wyandotte County, Kans.

U.S. PATENT DOCUMENTS

758,130 4/1904 Drummond 182/184
4,289,215 9/1981 Robinson 182/184 X

[73] Assignee: Goldblatt Tool Co., Kansas City, Kans.

Primary Examiner—A. Hugo Word
Attorney, Agent, or Firm—Kokjer, Kircher, Bradley, Wharton, Bowman & Johnson

[**] Term: 14 Years

[57] CLAIM

The ornamental design for an adjustable trestle, as shown and described.

[21] Appl. No.: 460,189

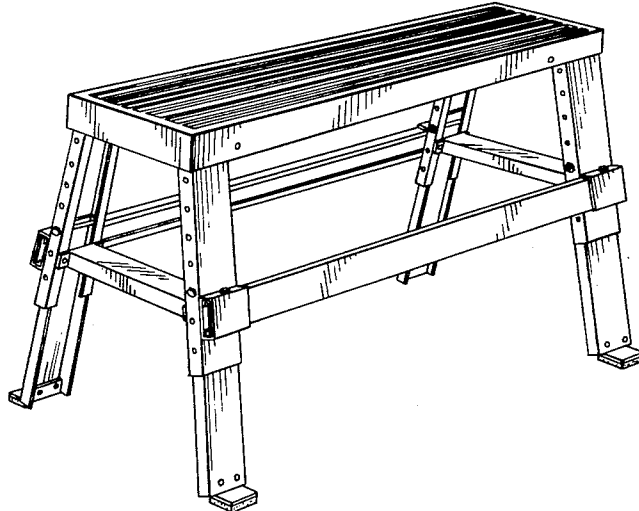
DESCRIPTION

[22] Filed: Jan. 24, 1983

FIG. 1 is a perspective view of an adjustable trestle showing my new design; FIG. 2 is a top plan view of the adjustable trestle; FIG. 3 is an end elevational view of the adjustable trestle, the opposite end view appearing the same; and FIG. 4 is a side elevational view of the adjustable trestle, the opposite side view appearing the same.

[52] U.S. Cl. D25/67

[58] Field of Search 182/181, 184; D25/67, D25/69, 62, 64



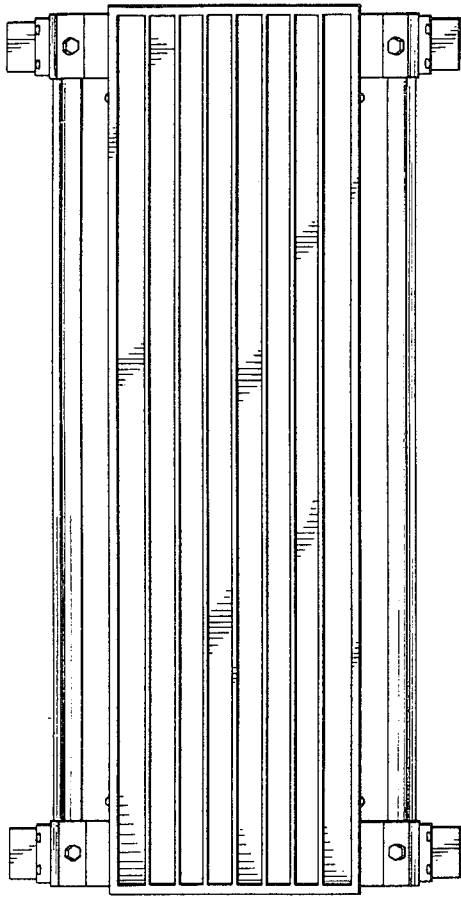


Fig. 2.

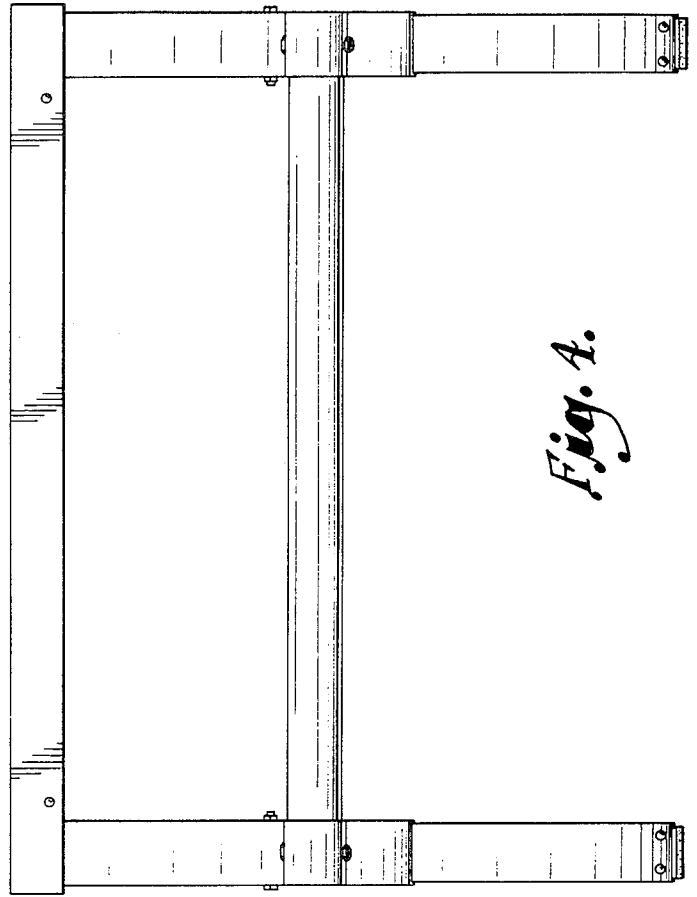


Fig. 4.

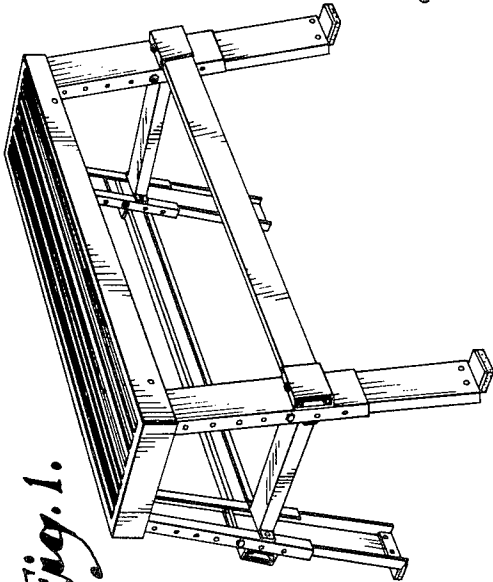


Fig. 1.

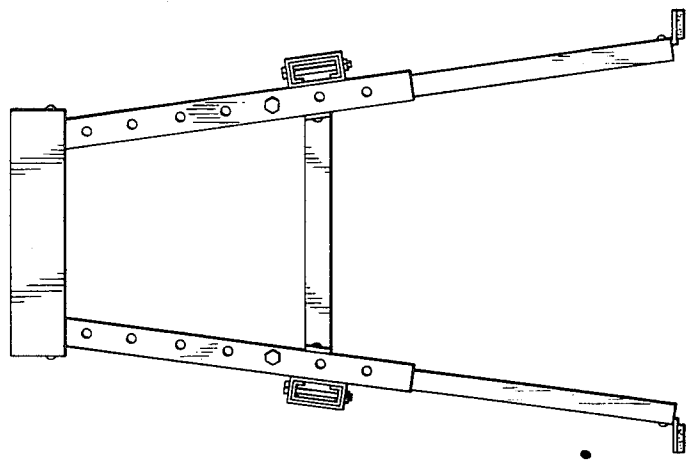


Fig. 3.